

VIP-3/SC/FLK26/LED - Termination board



2322087

<https://www.phoenixcontact.com/us/products/2322087>

Please be informed that the data shown in this PDF document is generated from our online catalog. Please find the complete data in the user documentation. Our general terms of use for downloads are valid.



VARIOFACE module, with screw connection and flat-ribbon cable connector, for mounting on NS 35 rails, with pin strip and short and long locking latches for socket strips, 26-pos., with LED

Your advantages

- 10-pos. ... 64-pos.
- Metal foot
- In accordance with IEC 60603-13
- 1:1 connection
- Screw connection

Commercial data

Item number	2322087
Packing unit	1 pc
Note	Made to order (non-returnable)
Sales key	C423
Product key	DK2111
GTIN	4046356450843
Weight per piece (including packing)	144.6 g
Weight per piece (excluding packing)	144.6 g
Customs tariff number	85366990
Country of origin	US

Technical data

Product properties

Product type	Interface module
Product family	VARIOFACE Professional
Number of positions	26

Insulation characteristics

Overvoltage category	II
Pollution degree	2

Electrical properties

Nominal voltage U_N	24 V DC
Max. current carrying capacity per branch	1 A

Connection data

Field level

Connection in acc. with standard	IEC / EN
Connection method	Screw connection
Stripping length	8 mm
Screw thread	M3
Conductor cross-section rigid	0.2 mm ² ... 4 mm ²
Conductor cross-section flexible	0.2 mm ² ... 2.5 mm ²
Conductor cross-section AWG	24 ... 12

Controller level

Connection method	IDC/FLK pin strip
Number of connections	1
Number of positions	26
Pitch	2.54 mm

Signaling

Status display	LED
Status display present	yes

Dimensions

Item dimensions

Width	57.4 mm
Height	69 mm
Depth	62 mm

Material specifications

Color	gray (RAL 7042)
Flammability rating according to UL 94	V0

VIP-3/SC/FLK26/LED - Termination board



2322087

<https://www.phoenixcontact.com/us/products/2322087>

Housing insulation material	Polyamide PA non-reinforced
-----------------------------	-----------------------------

Environmental and real-life conditions

Ambient conditions

Ambient temperature (operation)	-20 °C ... 50 °C
Ambient temperature (storage/transport)	-20 °C ... 70 °C

Standards and regulations

Standards/regulations	IEC 60664
	DIN EN 50178

Mounting

Mounting type	DIN rail mounting
Mounting position	any

Notes

Notes on operation	For proper use, the specifications of the installation directive (see Downloads) must be observed. For applications or use with third-party products, the specifications, and the safety and warning instructions of the respective third-party manufacturer must also be met.
--------------------	--

VIP-3/SC/FLK26/LED - Termination board

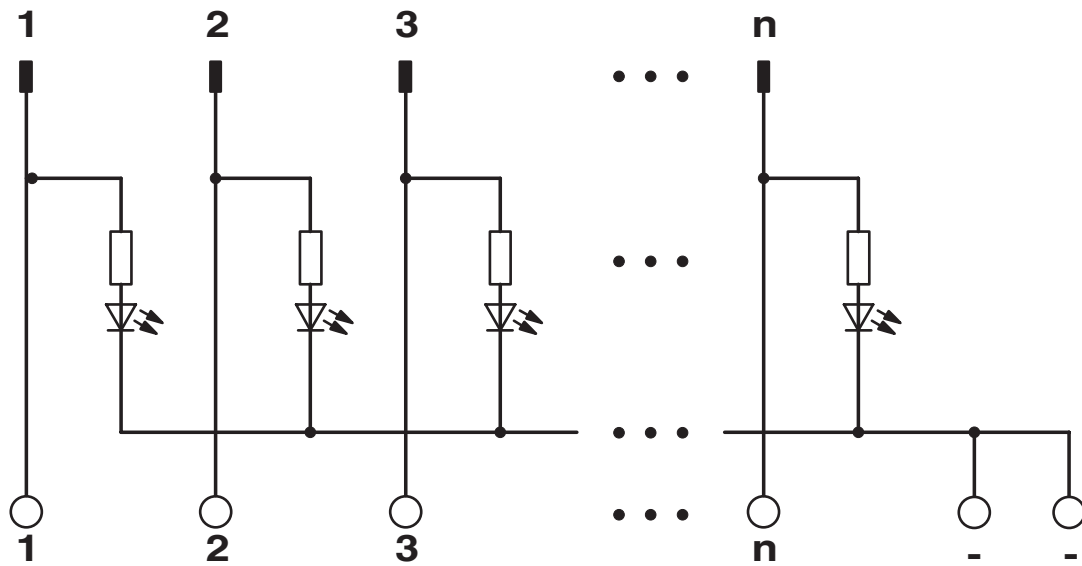


2322087

<https://www.phoenixcontact.com/us/products/2322087>

Drawings

Circuit diagram



VIP-3/SC/FLK26/LED - Termination board



2322087

<https://www.phoenixcontact.com/us/products/2322087>

Classifications

UNSPSC

UNSPSC 21.0

39121432

Phoenix Contact 2026 © - all rights reserved

<https://www.phoenixcontact.com>

Phoenix Contact USA

586 Fulling Mill Road

Middletown, PA 17057, United States

(+717) 944-1300

info@phoenixcon.com