

# UPS-BAT/LI-ION/24DC/120WH - Battery module



2320351

<https://www.phoenixcontact.com/us/products/2320351>

Please be informed that the data shown in this PDF document is generated from our online catalog. Please find the complete data in the user documentation. Our general terms of use for downloads are valid.



Battery module, LI-ION technology, 24 V DC, 120 Wh, for ambient temperatures of -20 °C ... 60 °C, automatic detection and communication with QUINT UPS-IQ

## Product description

For continuous monitoring and intelligent management, there is constant communication with the QUINT UPS. Thanks to automatic detection of the battery module and tool-free switching during operation, quick installation is possible. The battery modules for QUINT UPS with IQ Technology leave the warehouse fully charged.

## Your advantages

- Long service life with long buffer times
- Lithium iron phosphate technology
- High energy density

## Commercial data

|                                      |               |
|--------------------------------------|---------------|
| Item number                          | 2320351       |
| Packing unit                         | 1 pc          |
| Sales key                            | CM24          |
| Product key                          | CMUEL3        |
| GTIN                                 | 4046356599054 |
| Weight per piece (including packing) | 3,505 g       |
| Weight per piece (excluding packing) | 2,900 g       |
| Customs tariff number                | 85076000      |
| Country of origin                    | CN            |

## Technical data

### Input data

|               |               |
|---------------|---------------|
| Input voltage | 24 V DC       |
| Buffer period | 14 min (20 A) |

### Output data

|                          |   |
|--------------------------|---|
| Nominal output voltage   | 24 V DC                                     |
| Output current $I_{max}$ | 30 A  |
| Output fuse              | 1x 30 A ATOF 32V (breaking capacity 1000 A) |
| Connection in parallel   | 3   |
|                          | 3   |
| Connection in series     | no  |

### Battery operation

|                                  |         |
|----------------------------------|---------|
| Nominal output voltage           | 24 V DC |
| Nominal output current ( $I_N$ ) | 30 A    |

### Energy storage

|                                    |                                    |
|------------------------------------|------------------------------------|
| End-of-charge voltage              | 28.5 V DC (20 °C)                  |
| Charging current                   | 10 A                               |
| Nominal capacity                   | 120 Wh                             |
| Latest startup date (battery only) | 24 Months (20 °C)                  |
| Battery technology                 | Lithium-Ion (LiFePO <sub>4</sub> ) |
| Memory medium                      | LI-ION, 120 Wh                     |
| Accumulator type                   | NEC ALM 12V7s HP                   |
| Number of cells                    | 2                                  |
| Size designation                   | Block                              |
| Battery pack                       | yes                                |
| IQ technology                      | Yes                                |
| Temperature sensor                 | yes                                |
| Suitable for fast charging         | yes                                |

### Product properties

|                |   |
|----------------|---|
| Product type   | Battery module  |
| Product family | Battery module (device with battery)  |
| Application    | for QUINT4 DC-UPS, QUINT4 AC-UPS, and QUINT-UPS   |
| Disposal       | Used batteries must not be thrown away with household waste, they should instead be disposed of in accordance with applicable national regulations. |
| IQ technology  | Yes   |

### Insulation characteristics

|                     |     |
|---------------------|-----|
| Protection class    | III |
| Degree of pollution | 2   |

# UPS-BAT/LI-ION/24DC/120WH - Battery module



2320351

<https://www.phoenixcontact.com/us/products/2320351>

## Dimensions

|        |        |
|--------|--------|
| Width  | 135 mm |
| Height | 202 mm |
| Depth  | 110 mm |

### Installation dimensions

|                                  |               |
|----------------------------------|---------------|
| Installation distance right/left | 0 mm / 0 mm   |
| Installation distance top/bottom | 50 mm / 50 mm |

## Mounting

|                   |                                     |
|-------------------|-------------------------------------|
| Mounting position | horizontal DIN rail NS 35, EN 60715 |
|-------------------|-------------------------------------|

## Material specifications

|                  |                                       |
|------------------|---------------------------------------|
| Housing material | Metal                                 |
| Type of housing  | Galvanized sheet steel, powder-coated |

## Environmental and real-life conditions

### Ambient conditions

|  |   |
|--|---|
| Degree of protection                           | IP20  |
| Ambient temperature (operation)                | -20 °C ... 58 °C  |
| Ambient temperature (storage/transport)        | -40 °C ... 65 °C  |
| Max. permissible relative humidity (operation) | ≤ 95 %  |
| Shock  | 18 ms, 30g, in each space direction (according to IEC 60068-2-27)   |
| Vibration (operation)                          | < 15 Hz, amplitude ±2,5 mm, 15 Hz ... 150 Hz, according to IEC 60068-2-6<br>15 Hz ... 150 Hz, 2.3g, 90 min. |

## Standards and regulations

|  |                            |
|--|----------------------------|
| Standard – Electronic equipment for use in electrical power installations and their assembly into electrical power installations | EN 50178/VDE 0160 (PELV)   |
| Standard - Electrical safety   | EN 60950-1/VDE 0805 (SELV) |

## Approvals

|              |  |
|--------------|--|
| UL approvals | UL/C-UL listed UL 508  |
|              | UL/C-UL Recognized UL 60950-1  |
|              | UL ANSI/ISA-12.12.01 Class I, Division 2, Groups A, B, C, D (Hazardous Location) |

## Ex data

|                            |    |
|----------------------------|----|
| Suited for EX-applications | no |
|----------------------------|----|

# UPS-BAT/LI-ION/24DC/120WH - Battery module

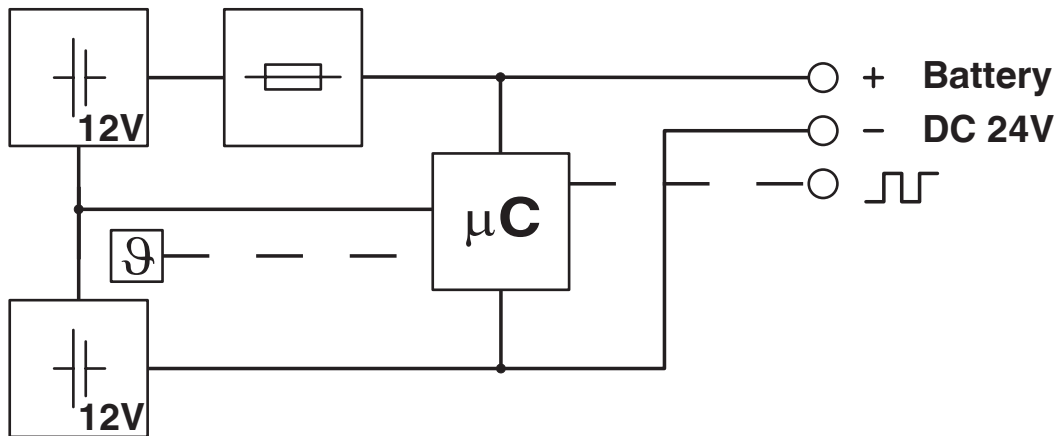


2320351

<https://www.phoenixcontact.com/us/products/2320351>

## Drawings

Block diagram



# UPS-BAT/LI-ION/24DC/120WH - Battery module



2320351

<https://www.phoenixcontact.com/us/products/2320351>

## Classifications

### UNSPSC

|             |          |
|-------------|----------|
| UNSPSC 21.0 | 26111700 |
|-------------|----------|

2320351

<https://www.phoenixcontact.com/us/products/2320351>

## Environmental product compliance

### EU RoHS

|   |              |
|---|--------------|
| Fulfills EU RoHS substance requirements | Yes          |
| Exemption                               | 7(a), 7(c)-I |

### China RoHS

|  |   |
|--|---|
| Environment friendly use period (EFUP) | EFUP-10   |
|  | An article-related China RoHS declaration table can be found in the download area for the respective article under "Manufacturer declaration". For all articles with EFUP-E, no China RoHS declaration table issued and required. |

### EU REACH SVHC

|                                     |                      |
|-------------------------------------|----------------------|
| REACH candidate substance (CAS No.) | Lead(CAS: 7439-92-1) |
|-------------------------------------|----------------------|

Phoenix Contact 2026 © - all rights reserved  
<https://www.phoenixcontact.com>

Phoenix Contact USA  
586 Fulling Mill Road  
Middletown, PA 17057, United States  
(+717) 944-1300  
[info@phoenixcon.com](mailto:info@phoenixcon.com)