

# UM-2KS50/UNI/CS - Universal module



2319427

<https://www.phoenixcontact.com/us/products/2319427>

Please be informed that the data shown in this PDF document is generated from our online catalog. Please find the complete data in the user documentation. Our general terms of use for downloads are valid.

Universal module for connecting to up to 32 channel digital Yokogawa cards, 1:1 connection of the Yokogawa system connector on screw terminal block connection.



## Commercial data

Item number	2319427
Packing unit	1 pc
Minimum order quantity	1 pc
Note	Made to order (non-returnable)
Sales key	C429
Product key	DK218N
GTIN	4046356361651
Weight per piece (including packing)	367.7 g
Weight per piece (excluding packing)	367 g
Customs tariff number	85369010
Country of origin	DE

## Technical data

### Product properties

Product type	Interface module
No. of channels	32

#### Insulation characteristics: Air clearances and creepage distances

Insulation	Functional insulation
Overvoltage category	II
Pollution degree	2

### Electrical properties

Operating voltage (DC)	≤ 30 V DC
Current (per branch)	≤ 0.1 A

#### Air clearances and creepage distances

Rated insulation voltage	50 V
Rated surge voltage	0.5 kV (1.2/50 μs)

#### Supported controller: YOKOGAWA CS3000 CentumVP

Suitable I/O card	ADV151
	ADV161
	ADV551
	ADV561

#### Supported controller: YOKOGAWA STARDOM

Suitable I/O card	NFDV151
	NFDV161
	NFDV551
	NFDV561

### Connection data

#### Connection 1 (control level)

Connection method	Yokogawa, KS compatible
Number of connections	2
Number of positions	50
Note	Usable system cables: Phoenix Contact YUC50, Yokogawa AKB331
Tightening torque	0.5 Nm
Pitch	2.54 mm

#### Connection 2 (field level)

Connection method	Screw connection
Stripping length	7 mm
Screw thread	M3

# UM-2KS50/UNI/CS - Universal module



2319427

<https://www.phoenixcontact.com/us/products/2319427>

Number of positions	52
Conductor cross-section rigid	0.2 mm <sup>2</sup> ... 4 mm <sup>2</sup>
Conductor cross-section rigid (2 conductors with same cross section)	0.2 mm <sup>2</sup> ... 1.5 mm <sup>2</sup>
Conductor cross-section flexible	0.2 mm <sup>2</sup> ... 2.5 mm <sup>2</sup>
	0.25 mm <sup>2</sup> ... 1.5 mm <sup>2</sup> (Ferrule without plastic sleeve)
	0.25 mm <sup>2</sup> ... 2.5 mm <sup>2</sup> (Ferrule with plastic sleeve)
Conductor cross-section flexible (2 conductors with same cross section)	0.2 mm <sup>2</sup> ... 1.5 mm <sup>2</sup>
	0.25 mm <sup>2</sup> ... 0.75 mm <sup>2</sup> (Ferrule without plastic sleeve)
	0.5 mm <sup>2</sup> ... 0.5 mm <sup>2</sup> (TWIN ferrule with plastic sleeve)
Conductor cross-section AWG	24 ... 12
Tightening torque	0.5 Nm ... 0.6 Nm
Pitch	5.08 mm

## Signaling

Status display present	no
------------------------	----

## Dimensions

### Item dimensions

Width	139.5 mm
Height	125.4 mm
Depth	65.9 mm

## Environmental and real-life conditions

### Ambient conditions

Degree of protection (Module)	IP00
Degree of protection (Installation location)	≤ IP54
Ambient temperature (operation)	-20 °C ... 65 °C
Ambient temperature (storage/transport)	-20 °C ... 70 °C
Altitude	≤ 2000 m

## Approvals

### UKCA

Certificate	UKCA-compliant
-------------	----------------

## Standards and regulations

### Air clearances and creepage distances

Standards/regulations	EN IEC 60664-1
-----------------------	----------------

## Mounting

Mounting type	DIN rail mounting
Mounting position	any

# UM-2KS50/UNI/CS - Universal module



2319427

<https://www.phoenixcontact.com/us/products/2319427>

## Notes

Notes on operation

For proper use, the specifications of the installation directive (see Downloads) must be observed. For applications or use with third-party products, the specifications, and the safety and warning instructions of the respective third-party manufacturer must also be met.

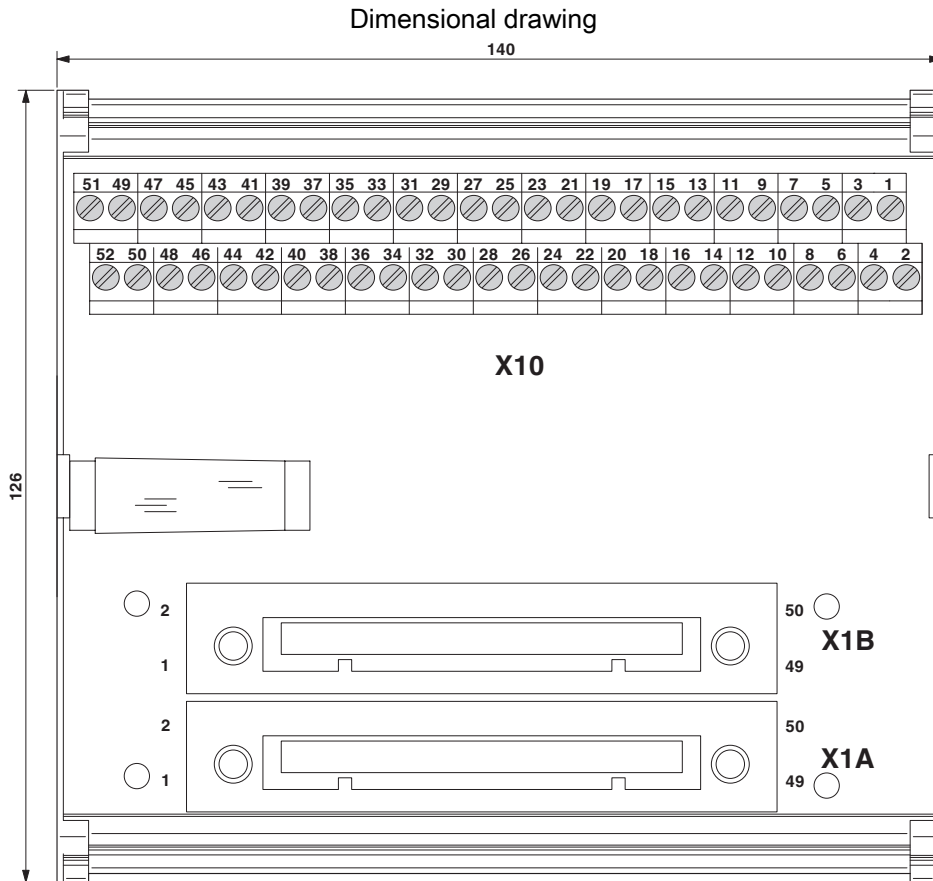
# UM-2KS50/UNI/CS - Universal module



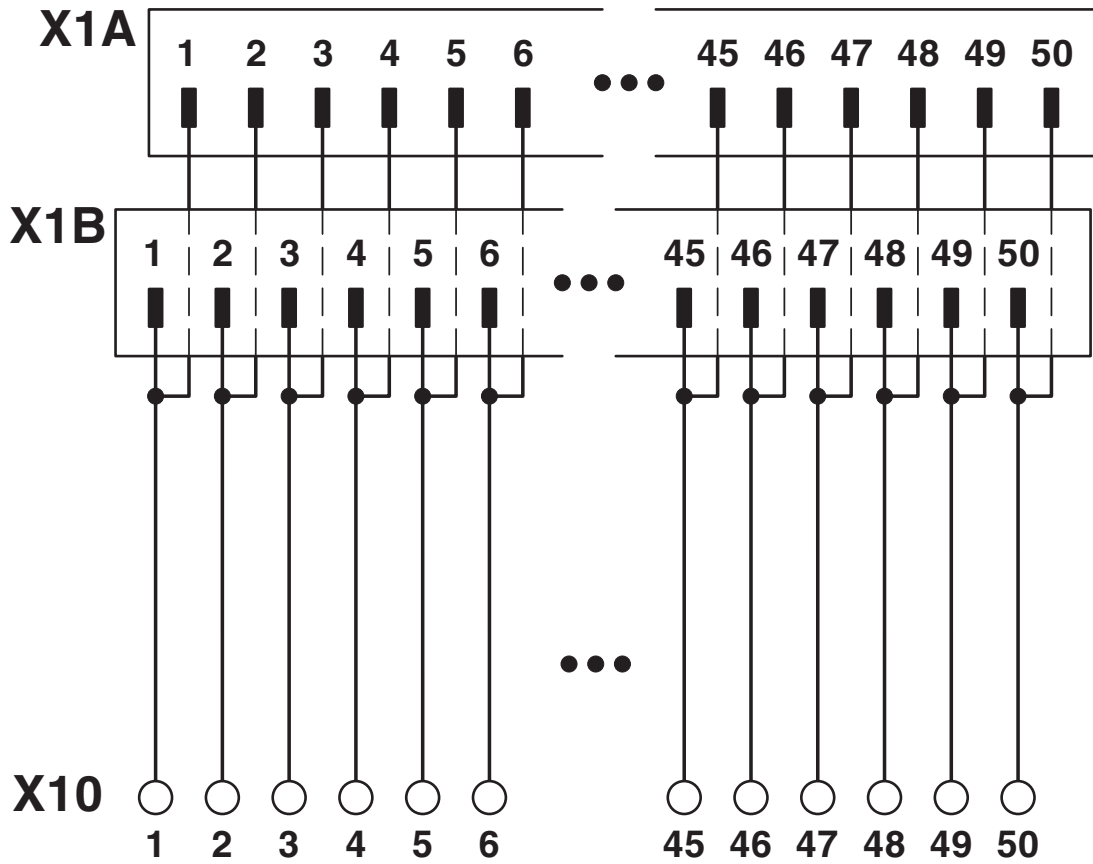
2319427

<https://www.phoenixcontact.com/us/products/2319427>

## Drawings



Circuit diagram



# UM-2KS50/UNI/CS - Universal module



2319427

<https://www.phoenixcontact.com/us/products/2319427>

## Classifications

### ECLASS

ECLASS-13.0	27141152
ECLASS-15.0	27141152

### ETIM

ETIM 10.0	EC002780
-----------	----------

### UNSPSC

UNSPSC 21.0	39121400
-------------	----------

# UM-2KS50/UNI/CS - Universal module



2319427

<https://www.phoenixcontact.com/us/products/2319427>

## Environmental product compliance

### China RoHS

Environment friendly use period (EFUP)	EFUP-E
	No hazardous substances above the limits

### EU REACH SVHC

REACH candidate substance (CAS No.)	Lead(CAS: 7439-92-1)
-------------------------------------	----------------------

Phoenix Contact 2026 © - all rights reserved  
<https://www.phoenixcontact.com>

Phoenix Contact USA  
586 Fulling Mill Road  
Middletown, PA 17057, United States  
(+717) 944-1300  
[info@phoenixcon.com](mailto:info@phoenixcon.com)