

# VIP-CAB-FLK50/0,14/2,0M - Cable

2318897

<https://www.phoenixcontact.com/us/products/2318897>

Please be informed that the data shown in this PDF document is generated from our online catalog. Please find the complete data in the user documentation. Our general terms of use for downloads are valid.



Round cable set; connection 1: IDC/FLK socket strip (1x 50-position, 180 °-out put); connection 2: IDC/FLK socket strip (1x 50-position, 90 °-out put); cable length: 2 m

## Your advantages

- Available in any choice of length
- 26-pos. ... 50-pos.
- Individual serial number
- Connector in accordance with IEC 60603-13
- 1:1 connection

## Commercial data

Item number	2318897
Packing unit	1 pc
Note	Made to order (non-returnable)
Sales key	C423
Product key	DK2221
GTIN	4046356312028
Weight per piece (including packing)	390.3 g
Weight per piece (excluding packing)	377.4 g
Customs tariff number	85444290
Country of origin	DE

## Technical data

### Product properties

Product type	System cable
--------------	--------------

### Environmental and real-life conditions

#### Ambient conditions

Degree of protection	IP00
Degree of protection (Installation location)	≥ IP54 (Installation location)
Ambient temperature (operation) (fixed installation)	-40 °C ... 70 °C (fixed installation)
Ambient temperature (operation) (flexible installation)	-10 °C ... 70 °C (flexible installation)
Ambient temperature (storage/transport)	-40 °C ... 80 °C
Altitude	≤ 2000 m

### Electrical properties

Operating voltage (AC)	≤ 30 V AC
Operating voltage (DC)	≤ 60 V DC
Nominal operating mode	100% operating factor
Current (Per path, 50°C)	≤ 1 A (Uncoiled, see derating)
Current (Per path, 70°C)	≤ 0.6 A (Uncoiled, see derating)

### Cable/line

Cable length	2 m
--------------	-----

#### 50X0.14 [PVC]

UL AWM Style	2464/1061
Number of positions	50
Shielded	no
Cable type	50X0.14 [PVC]
Conductor type	Round cable set
Conductor structure signal line	7x 0.16 mm
AWG signal line	26
Conductor cross-section	50x 0.14 mm <sup>2</sup>
Wire diameter incl. insulation	1 mm ±0.03 mm
External cable diameter	10.30 mm ±0.4 mm
Outer sheath, material	Semi-rigid PVC
External sheath, color	gray
Conductor material	Tin-plated Cu litz wires
Cable resistance	≤ 145 Ω/km (20 °C)
Insulation resistance	≥ 20 MΩ*km (20 °C)
Smallest bending radius, fixed installation	86 mm
Smallest bending radius, movable installation	161 mm
Dynamic load capacity (bending)	Max. bending cycles: 5000 (at a radius of ≥ 15x outside diameter)

# VIP-CAB-FLK50/0,14/2,0M - Cable



2318897

<https://www.phoenixcontact.com/us/products/2318897>

Halogen-free	no
Flame resistance	IEC 60332-1-2 (raw cable)
	VDE 0842, Part 332-1-2 (raw cable)
	IEC 60332-3-22 (raw cable)
	UL VW-1
	CSA FT-1
Resistance to oil	can withstand occasional splashes (raw cable)
Cable type	Cable for one module

## Connection data

### Connection 1

Connection in acc. with standard	IEC 60603-13 (in compliance)
Connection method	IDC/FLK socket strip
Number of connections	1
Number of positions	50
Exit angle	180 °
Insertion/withdrawal cycles	> 50
Pitch	2.54 mm

### Connection 2

Connection in acc. with standard	IEC 60603-13 (in compliance)
Connection method	IDC/FLK socket strip
Number of connections	1
Number of positions	50
Exit angle	90 °
Insertion/withdrawal cycles	> 50
Pitch	2.54 mm

## Notes

Notes on operation	For proper use, the specifications of the installation directive (see Downloads) must be observed. For applications or use with third-party products, the specifications, and the safety and warning instructions of the respective third-party manufacturer must also be met.
--------------------	--

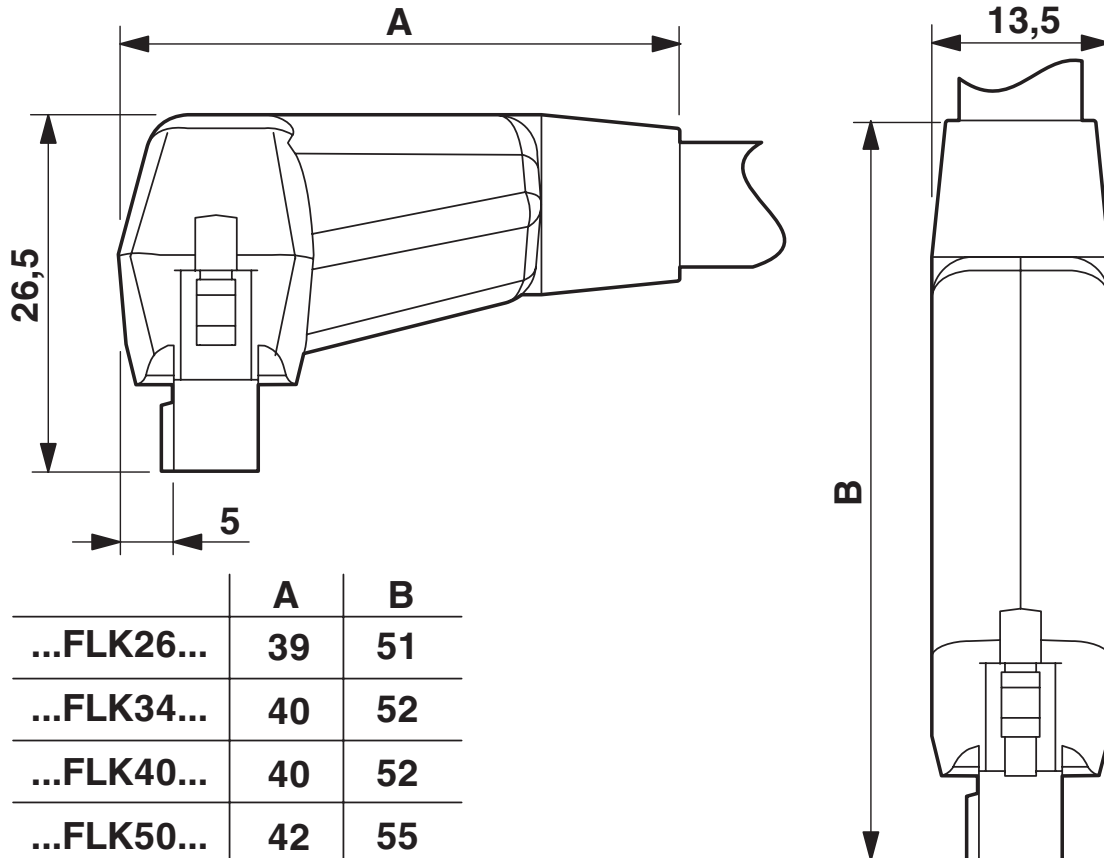
# VIP-CAB-FLK50/0,14/2,0M - Cable

2318897

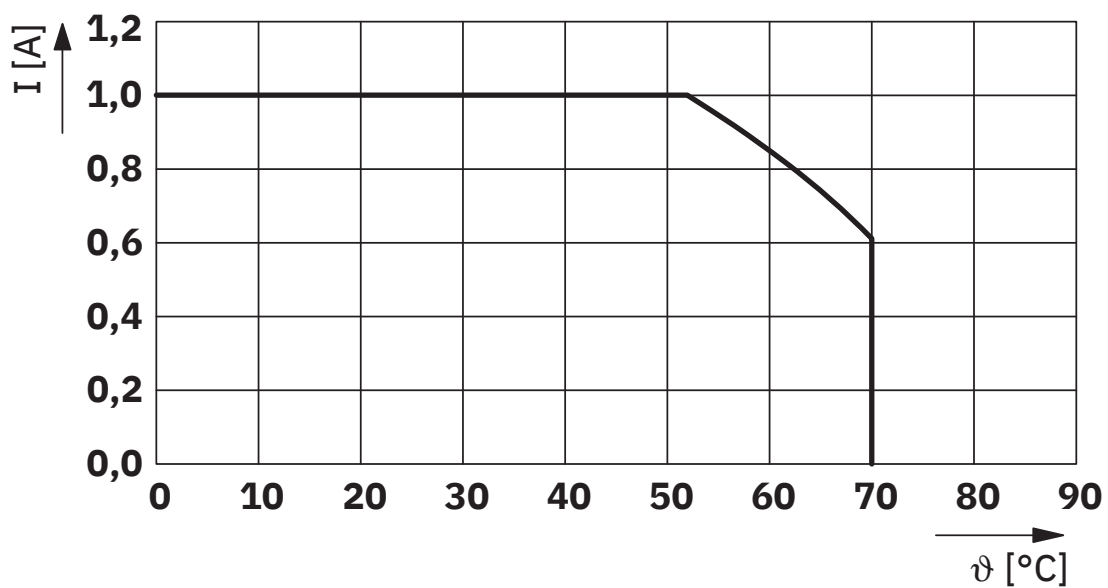
<https://www.phoenixcontact.com/us/products/2318897>

## Drawings

Dimensional drawing



Diagram



Maximum permissible current per path in uncoiled state

# VIP-CAB-FLK50/0,14/2,0M - Cable

2318897

<https://www.phoenixcontact.com/us/products/2318897>



## Classifications

### UNSPSC

UNSPSC 21.0	26121600
-------------	----------

# VIP-CAB-FLK50/0,14/2,0M - Cable



2318897

<https://www.phoenixcontact.com/us/products/2318897>

## Environmental product compliance

### EU RoHS

Fulfills EU RoHS substance requirements	Yes, No exemptions
---	--------------------

### China RoHS

Environment friendly use period (EFUP)	EFUP-E
	No hazardous substances above the limits

### EU REACH SVHC

REACH candidate substance (CAS No.)	No substance above 0.1 wt%
-------------------------------------	----------------------------

Phoenix Contact 2026 © - all rights reserved  
<https://www.phoenixcontact.com>

Phoenix Contact USA  
586 Fulling Mill Road  
Middletown, PA 17057, United States  
(+717) 944-1300  
[info@phoenixcon.com](mailto:info@phoenixcon.com)