

VIP-CAB-FLK20-0,14/... - Cable

2318619

<https://www.phoenixcontact.com/us/products/2318619>

Please be informed that the data shown in this PDF document is generated from our online catalog. Please find the complete data in the user documentation. Our general terms of use for downloads are valid.



Round cable set; connection 1: IDC/FLK socket strip (1x 20-position, 180 °-out put); connection 2: IDC/FLK socket strip (1x 20-position, 90 °-out put); cable length: variable

Your advantages

- Available in any choice of length
- 10-pos. ... 20-pos.
- Individual serial number
- Connector in accordance with IEC 60603-13
- 1:1 connection

Commercial data

| | |
|------------------------|--------------------------------|
| Item number | 2318619 |
| Packing unit | 1 pc |
| Minimum order quantity | 1 pc |
| Note | Made to order (non-returnable) |
| Sales key | C492 |
| Product key | DK2221 |
| Customs tariff number | 85444290 |
| Country of origin | DE |

Technical data

Product properties

| | |
|--------------|--------------|
| Product type | System cable |
|--------------|--------------|

Environmental and real-life conditions

Ambient conditions

| | |
|---|--|
| Degree of protection | IP00 |
| Degree of protection (Installation location) | ≥ IP54 (Installation location) |
| Ambient temperature (operation) (fixed installation) | -40 °C ... 70 °C (fixed installation) |
| Ambient temperature (operation) (flexible installation) | -10 °C ... 70 °C (flexible installation) |
| Ambient temperature (storage/transport) | -40 °C ... 80 °C |
| Altitude | ≤ 2000 m |

Electrical properties

| | |
|--------------------------|----------------------------------|
| Operating voltage (AC) | ≤ 30 V AC |
| Operating voltage (DC) | ≤ 60 V DC |
| Nominal operating mode | 100% operating factor |
| Current (Per path, 50°C) | ≤ 1 A (Uncoiled, see derating) |
| Current (Per path, 70°C) | ≤ 0.6 A (Uncoiled, see derating) |

Cable/line

| | |
|--------------|----------|
| Cable length | variable |
|--------------|----------|

20X0.14 [PVC]

| | |
|---|---|
| UL AWM Style | 2464/1061 |
| Number of positions | 20 |
| Shielded | no |
| Cable type | 20X0.14 [PVC] |
| Conductor type | Round cable set |
| Conductor structure signal line | 7x 0.16 mm |
| AWG signal line | 26 |
| Conductor cross-section | 20x 0.14 mm ² |
| Wire diameter incl. insulation | 1 mm ±0.03 mm |
| External cable diameter | 7.60 mm ±0.4 mm |
| Outer sheath, material | Semi-rigid PVC |
| External sheath, color | gray |
| Conductor material | Tin-plated Cu litz wires |
| Cable resistance | ≤ 145 Ω/km (20 °C) |
| Insulation resistance | ≥ 20 MΩ*km (20 °C) |
| Smallest bending radius, fixed installation | 64 mm |
| Smallest bending radius, movable installation | 120 mm |
| Dynamic load capacity (bending) | Max. bending cycles: 5000 (at a radius of ≥ 15x outside diameter) |

VIP-CAB-FLK20-0,14/... - Cable



2318619

<https://www.phoenixcontact.com/us/products/2318619>

| | |
|-------------------|---|
| Halogen-free | no |
| Flame resistance | IEC 60332-1-2 (raw cable) |
| | VDE 0842, Part 332-1-2 (raw cable) |
| | IEC 60332-3-22 (raw cable) |
| | UL VW-1 |
| | CSA FT-1 |
| Resistance to oil | can withstand occasional splashes (raw cable) |
| Cable type | Cable for one module |

Connection data

Connection 1

| | |
|----------------------------------|------------------------------|
| Connection in acc. with standard | IEC 60603-13 (in compliance) |
| Connection method | IDC/FLK socket strip |
| Number of connections | 1 |
| Number of positions | 20 |
| Exit angle | 180 ° |
| Insertion/withdrawal cycles | > 50 |
| Pitch | 2.54 mm |

Connection 2

| | |
|----------------------------------|------------------------------|
| Connection in acc. with standard | IEC 60603-13 (in compliance) |
| Connection method | IDC/FLK socket strip |
| Number of connections | 1 |
| Number of positions | 20 |
| Exit angle | 90 ° |
| Insertion/withdrawal cycles | > 50 |
| Pitch | 2.54 mm |

Notes

| | |
|--------------------|--|
| Notes on operation | For proper use, the specifications of the installation directive (see Downloads) must be observed. For applications or use with third-party products, the specifications, and the safety and warning instructions of the respective third-party manufacturer must also be met. |
|--------------------|--|

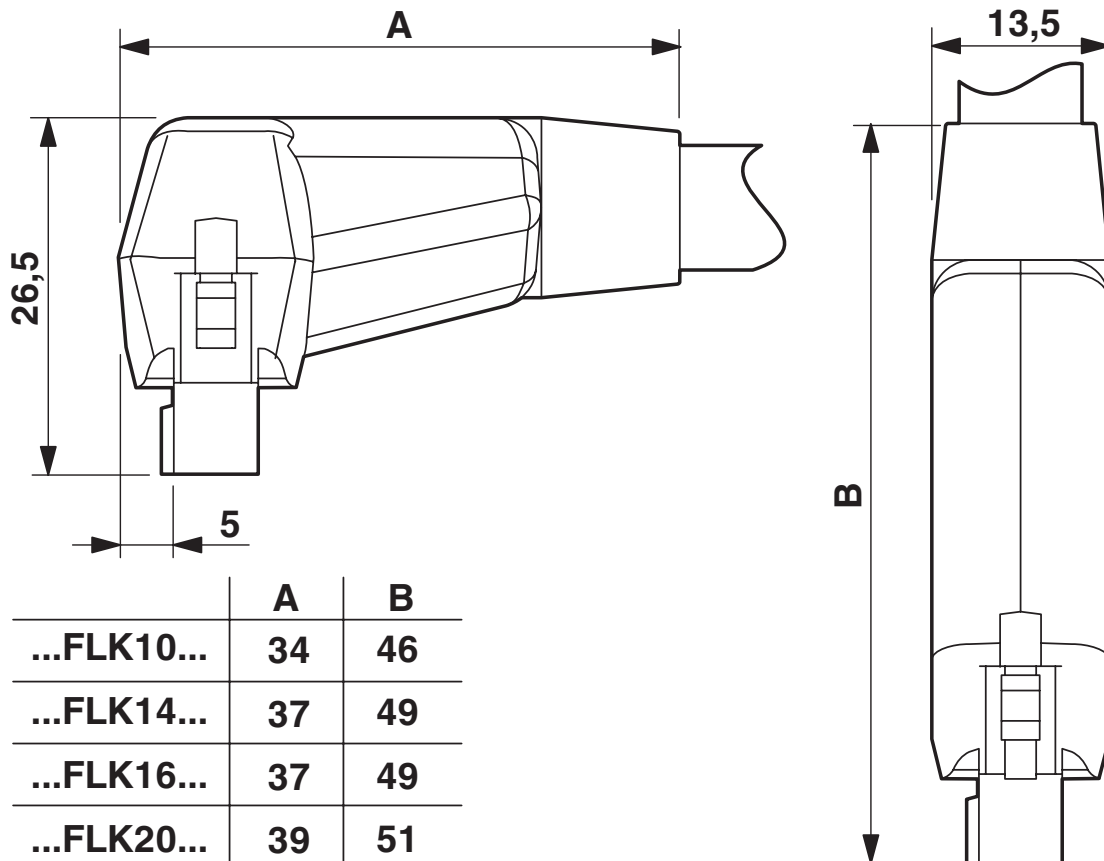
VIP-CAB-FLK20-0,14/... - Cable

2318619

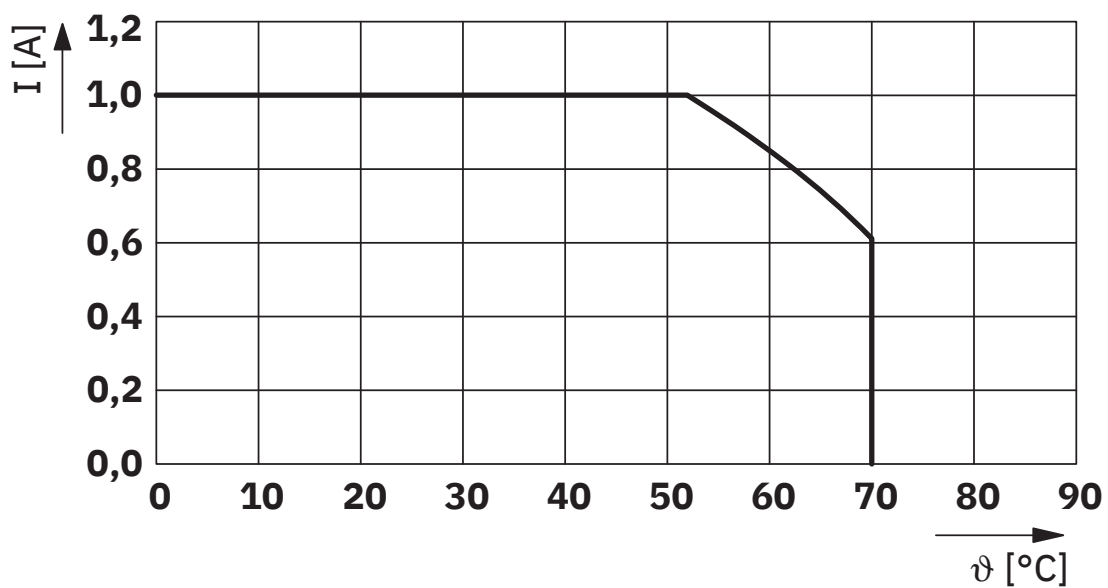
<https://www.phoenixcontact.com/us/products/2318619>

Drawings

Dimensional drawing



Diagram



Maximum permissible current per path in uncoiled state

VIP-CAB-FLK20-0,14/... - Cable



2318619

<https://www.phoenixcontact.com/us/products/2318619>

Approvals

To download certificates, visit the product detail page: <https://www.phoenixcontact.com/us/products/2318619>



EAC

Approval ID: RU*-DE.HB*35.B00385



UL Listed

Approval ID: E238705

| | Nominal voltage U_N | Nominal current I_N | Cross section AWG | Cross section mm^2 |
|-------|-----------------------|-----------------------|-------------------|-----------------------------|
| keine | | | | |
| | 125 V | 1 A | - | - |



cUL Listed

Approval ID: E238705

| | Nominal voltage U_N | Nominal current I_N | Cross section AWG | Cross section mm^2 |
|-------|-----------------------|-----------------------|-------------------|-----------------------------|
| keine | | | | |
| | 125 V | 1 A | - | - |

VIP-CAB-FLK20-0,14/... - Cable



2318619

<https://www.phoenixcontact.com/us/products/2318619>

Classifications

ECLASS

| | |
|-------------|----------|
| ECLASS-13.0 | 27242220 |
| ECLASS-15.0 | 27242220 |

ETIM

| | |
|----------|----------|
| ETIM 9.0 | EC000237 |
|----------|----------|

UNSPSC

| | |
|-------------|----------|
| UNSPSC 21.0 | 26121600 |
|-------------|----------|

VIP-CAB-FLK20-0,14/... - Cable



2318619

<https://www.phoenixcontact.com/us/products/2318619>

Environmental product compliance

EU RoHS

| | |
|---|--------------------|
| Fulfills EU RoHS substance requirements | Yes, No exemptions |
|---|--------------------|

China RoHS

| | |
|--|--|
| Environment friendly use period (EFUP) | EFUP-E |
| | No hazardous substances above the limits |

EU REACH SVHC

| | |
|-------------------------------------|----------------------------|
| REACH candidate substance (CAS No.) | No substance above 0.1 wt% |
|-------------------------------------|----------------------------|

Phoenix Contact 2026 © - all rights reserved
<https://www.phoenixcontact.com>

Phoenix Contact USA
586 Fulling Mill Road
Middletown, PA 17057, United States
(+717) 944-1300
info@phoenixcon.com