

FB1-S1-6SP-T-0-10-00-0-0 - Junction box



2316420

<https://www.phoenixcontact.com/us/products/2316420>

Please be informed that the data shown in this PDF document is generated from our online catalog. Please find the complete data in the user documentation. Our general terms of use for downloads are valid.



Stainless steel field junction box with ten ports for use in hazardous locations. Includes six-spur block device coupler (FB-6SP) for Foundation Fieldbus or PROFIBUS PA, three terminal blocks for trunk cable connection (+, -, S).

Product description

FF/PA - Six-spur block junction box

Your advantages

- Connect up to 6 Foundation Fieldbus or PROFIBUS PA field devices
- Terminator preinstalled
- Single-sided plug configuration eliminates cable bend radius issues
- Provides current limiting short-circuit protection per spur

Commercial data

Item number	2316420
Packing unit	1 pc
Sales key	DN11
Product key	DNC1Z1
GTIN	4055626590585
Weight per piece (including packing)	5.99 kg
Weight per piece (excluding packing)	4.64 kg
Customs tariff number	85371098
Country of origin	US

FB1-S1-6SP-T-0-10-00-0-0 - Junction box



2316420

<https://www.phoenixcontact.com/us/products/2316420>

Technical data

Notes

Note on application

Note on application	Only for industrial use
---------------------	-------------------------

Utilization restriction

CCCex note	Use in potentially explosive areas is not permitted in China.
------------	---

Product properties

Product type	Control box
--------------	-------------

Electrical properties

Supply

Max. current consumption	4.8 mA (No-load)
	340 mA (trunk)

Ex data

Safety data

Input voltage U_i	32 V (IIB (C/D))
	24 V (IIC (A/B))
	17.5 V (FISCO)
Inductance L_i	4 μ H
Capacitance C_i	0 μ F
Max. output voltage U_o	U_{in} (Branch line)
Max. output current I_o	56 mA (Branch line)
Max. output power P_o	1.792 W
Safety-related maximum voltage U_m	17.5 V (in acc. with EN 60079-11)
IIC/IIB (Branch line): Max. external inductivity L_o / Max. external capacitance C_o	/ 80 nF
IIC/IIB (per spur): Max. external inductivity L_o / Max. external capacitance C_o	0.26 mH

Interfaces

Signal	FOUNDATION Fieldbus
	PROFIBUS

Dimensions

Dimensional drawing	
Width	254 mm

FB1-S1-6SP-T-0-10-00-0-0 - Junction box



2316420

<https://www.phoenixcontact.com/us/products/2316420>

Height	254 mm
Depth	127 mm

Material specifications

Color	gray
Housing material	Stainless steel

Environmental and real-life conditions

Ambient conditions

Degree of protection	IP66
Ambient temperature (operation)	-40 °C ... 70 °C
Ambient temperature (storage/transport)	-40 °C ... 70 °C
Max. permissible relative humidity (operation)	< 95 % (non-condensing)

Approvals

Conformity/Approvals

Conformance	CE-compliant, additionally EN 61326-1
-------------	---------------------------------------

Ex data

ATEX	DEMKO 16ATEX1704X II 3 G D Ex nA [ic] IIC T4 Gc, Ex nA nC [ic] IIC T4 Gc Ex ic IIC T4 Gc, FISCO ic spurs Ex tc IIIC T135 Dc IP66
IECEX	IECEX UL 16.0079X Ex nA [ic] IIC T4 Gc, Ex nA nC [ic] IIC T4 Gc Ex ic IIC T4 Gc, FISCO ic spurs Ex tc IIIC T135 Dc IP66
UL, USA / Canada	Class I, Zone 2, AEx nA [ic] IIC T4 Gc, AEx nA nC [ic] IIC T4 Gc Entity/FISCO spurs Class I, Div. 2, Groups A, B, C, D, T4 Class I, Zone 22, AEx tc IIIC T135 Dc IP66

Standards and regulations

Standards

Standards/regulations	EN 61326-1
	EN 60079-0
	EN 60079-11
	EN 60079-15

Mounting

Mounting type	Panel mounting
---------------	----------------

FB1-S1-6SP-T-0-10-00-0-0 - Junction box

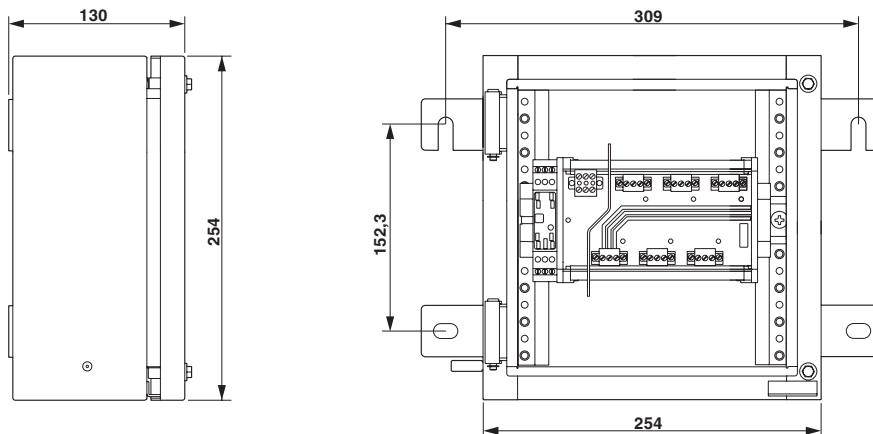


2316420

<https://www.phoenixcontact.com/us/products/2316420>

Drawings

Dimensional drawing



FB1-S1-6SP-T-0-10-00-0-0 - Junction box



2316420

<https://www.phoenixcontact.com/us/products/2316420>

Classifications

ECLASS

ECLASS-13.0

27180101

ETIM

ETIM 9.0

EC000261

UNSPSC

UNSPSC 21.0

31261500

2316420

<https://www.phoenixcontact.com/us/products/2316420>

Environmental product compliance

EU RoHS

Fulfills EU RoHS substance requirements	Yes
Exemption	6(c), 7(a), 7(c)-I

China RoHS

Environment friendly use period (EFUP)	EFUP-50
	An article-related China RoHS declaration table can be found in the download area for the respective article under "Manufacturer declaration". For all articles with EFUP-E, no China RoHS declaration table issued and required.

EU REACH SVHC

REACH candidate substance (CAS No.)	Lead(CAS: 7439-92-1)
SCIP	2d30ae34-c4ca-4d9a-9b1c-a5e64ffc65

Phoenix Contact 2026 © - all rights reserved

<https://www.phoenixcontact.com>

Phoenix Contact USA
 586 Fulling Mill Road
 Middletown, PA 17057, United States
 (+717) 944-1300
info@phoenixcon.com