

AXL P TERM PAIR - Terminal block

2316402

<https://www.phoenixcontact.com/us/products/2316402>

Please be informed that the data shown in this PDF document is generated from our online catalog. Please find the complete data in the user documentation. Our general terms of use for downloads are valid.



Axioline P terminator pair

Product description

The terminator pair is necessary for the Axioline P system to run, as its function is to terminate the communication on the backplane at each end of the station.

Commercial data

Item number	2316402
Packing unit	1 pc
Minimum order quantity	1 pc
Sales key	DR06
Product key	DRIPZ4
GTIN	4055626368313
Weight per piece (including packing)	23.3 g
Weight per piece (excluding packing)	23.2 g
Customs tariff number	85332100
Country of origin	US

AXL P TERM PAIR - Terminal block

2316402

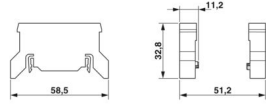
<https://www.phoenixcontact.com/us/products/2316402>

Technical data

Product properties

Product type	Terminal resistor
--------------	-------------------

Dimensions

Dimensional drawing	
Width	11.55 mm
Height	58.5 mm
Length	33.7 mm

Material specifications

Color	black
-------	-------

Environmental and real-life conditions

Ambient conditions

Degree of protection	IP20
Ambient temperature (operation)	-40 °C ... 70 °C (Mounting position: panel mounting on horizontal DIN rail)
Ambient temperature (storage/transport)	-40 °C ... 85 °C
Altitude	2000 m (above sea level)
Permissible humidity (operation)	5 % ... 95 % (non-condensing)
Permissible humidity (storage/transport)	5 % ... 95 %

Mounting

Mounting type	DIN rail mounting
---------------	-------------------

AXL P TERM PAIR - Terminal block

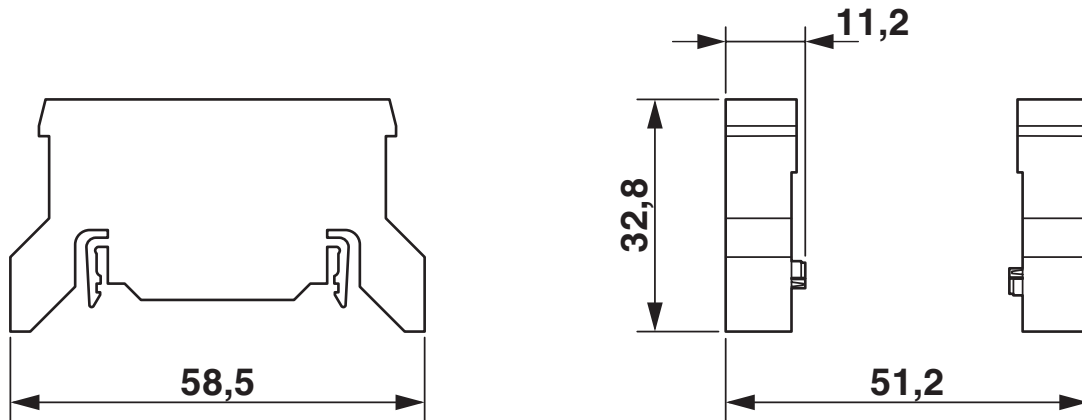
2316402

<https://www.phoenixcontact.com/us/products/2316402>



Drawings

Dimensional drawing



AXL P TERM PAIR - Terminal block



2316402

<https://www.phoenixcontact.com/us/products/2316402>

Classifications

ECLASS

ECLASS-13.0	27242610
ECLASS-15.0	27242610

ETIM

ETIM 10.0	EC001600
-----------	----------

UNSPSC

UNSPSC 21.0	32151600
-------------	----------

AXL P TERM PAIR - Terminal block



2316402

<https://www.phoenixcontact.com/us/products/2316402>

Environmental product compliance

EU RoHS

Fulfills EU RoHS substance requirements	Yes
Exemption	7(c)-I

China RoHS

Environment friendly use period (EFUP)	EFUP-50
	An article-related China RoHS declaration table can be found in the download area for the respective article under "Manufacturer declaration". For all articles with EFUP-E, no China RoHS declaration table issued and required.

EU REACH SVHC

REACH candidate substance (CAS No.)	No substance above 0.1 wt%
-------------------------------------	----------------------------

Phoenix Contact 2026 © - all rights reserved
<https://www.phoenixcontact.com>

Phoenix Contact USA
586 Fulling Mill Road
Middletown, PA 17057, United States
(+717) 944-1300
info@phoenixcon.com