

# AXL P FBPS BASE - Base module



2316393

<https://www.phoenixcontact.com/us/products/2316393>

Please be informed that the data shown in this PDF document is generated from our online catalog. Please find the complete data in the user documentation. Our general terms of use for downloads are valid.



Axioline P base for PROFIBUS PA power supply plugs. Provides Fieldbus power supply redundancy when two plugs are installed.

## Product description

The AXL P FBPS BASE is a modular, single-channel, PROFIBUS PA power supply base with PROFIBUS PA trunk and power connectors.

## Commercial data

Item number	2316393
Packing unit	1 pc
Minimum order quantity	1 pc
Sales key	DR06
Product key	DRIP53
GTIN	4055626368375
Weight per piece (including packing)	198.9 g
Weight per piece (excluding packing)	198.2 g
Customs tariff number	85366990
Country of origin	US

## Technical data

### Notes

#### Utilization restriction

EMC note	EMC: class A product, see manufacturer's declaration in the download area
----------	---

#### Utilization restriction

CCCex note	Use in potentially explosive areas is not permitted in China.
------------	---

### Connection data

#### Supply

Conductor cross-section, flexible	0.20 mm <sup>2</sup> ... 1.50 mm <sup>2</sup>
Conductor cross-section, rigid	0.20 mm <sup>2</sup> ... 1.50 mm <sup>2</sup>
Conductor cross-section AWG	24 ... 16

### Interfaces

#### Data: Axioline P local bus

Connection method	Bus base module
-------------------	-----------------

#### Data: PROFIBUS PA

Connection method	Push-in / plug connection
Number of bus devices	256
Termination resistor	100 Ω

### Electrical properties

Maximum power dissipation for nominal condition	17.58 W
---	---------

#### Supply

Supply voltage range	18.5 V DC ... 30.5 V DC
Typical current consumption	750 mA (24 V DC, 500 mA load)
Max. current consumption	950 mA (18.5 V DC, 500 mA load)

### Product properties

Product type	Power supply
Product family	Axioline P

#### Insulation characteristics

Overvoltage category	II
Degree of pollution	2

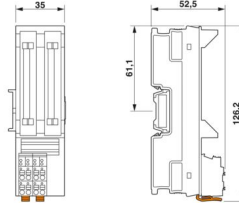
### Dimensions

# AXL P FBPS BASE - Base module



2316393

<https://www.phoenixcontact.com/us/products/2316393>

Dimensional drawing	
Width	35 mm
Height	130 mm
Depth	125 mm

## Mounting

Mounting type	DIN rail mounting
---------------	-------------------

## Material specifications

Color	gray
-------	------

## Environmental and real-life conditions

### Ambient conditions

Degree of protection	IP20
Ambient temperature (operation)	-40 °C ... 70 °C (Mounting position: panel mounting on horizontal DIN rail)
Ambient temperature (storage/transport)	-40 °C ... 85 °C
Altitude	2000 m (above sea level)
Permissible humidity (operation)	5 % ... 95 % (non-condensing)
Permissible humidity (storage/transport)	5 % ... 95 %
Shock	15g
Vibration (operation)	2g

## Standards and regulations

### Standards/regulations

Standards/regulations	Ring wave noise immunity in acc. with IEC 61000-4-12
-----------------------	--

### PROFIBUS standardization

Standards/regulations	IEC 61158-2
-----------------------	-------------

## Approvals

### ATEX CE

Identification	⊕ II 3 G Ex ec IIC T4 Gc
Certificate	UL 26 ATEX 3563X

### IECEX

Identification	Ex ec IIC T4 Gc
Certificate	IECEX UL 26.0041X

# AXL P FBPS BASE - Base module



2316393

<https://www.phoenixcontact.com/us/products/2316393>

## Ex data

UL, USA / Canada

Class I, Div. 2, Groups A, B, C, D T4

Class I, Zone 2, IIC T4

# AXL P FBPS BASE - Base module

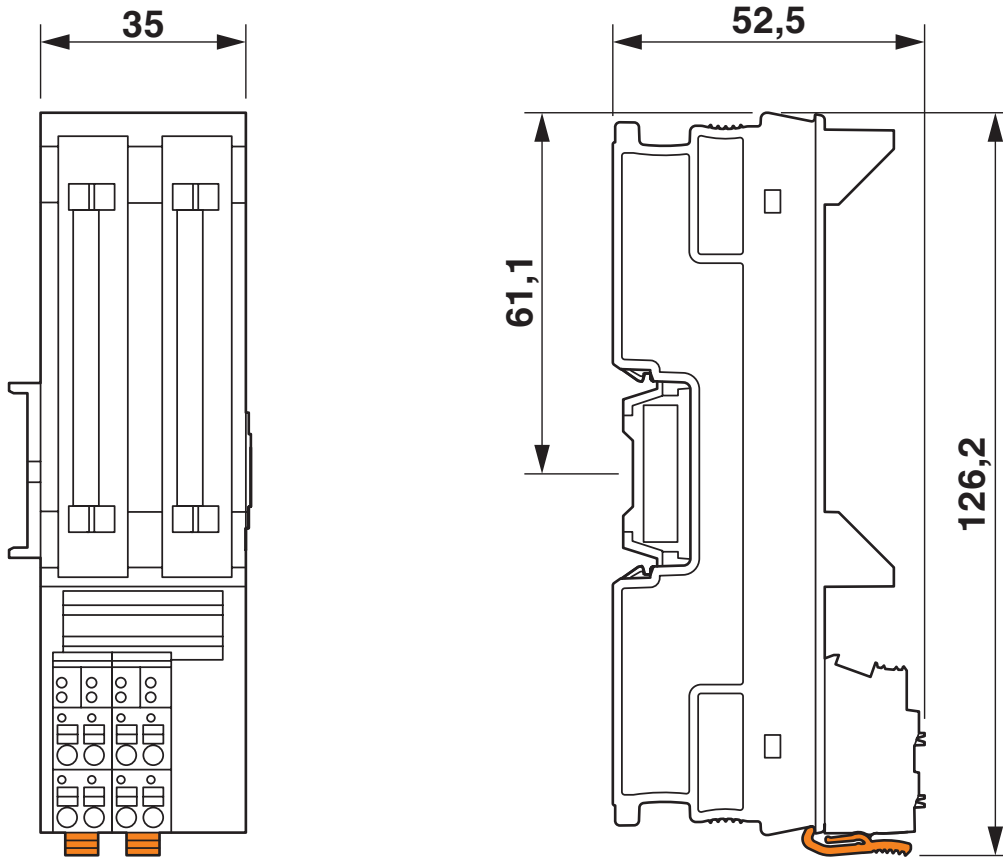
2316393

<https://www.phoenixcontact.com/us/products/2316393>



## Drawings

Dimensional drawing



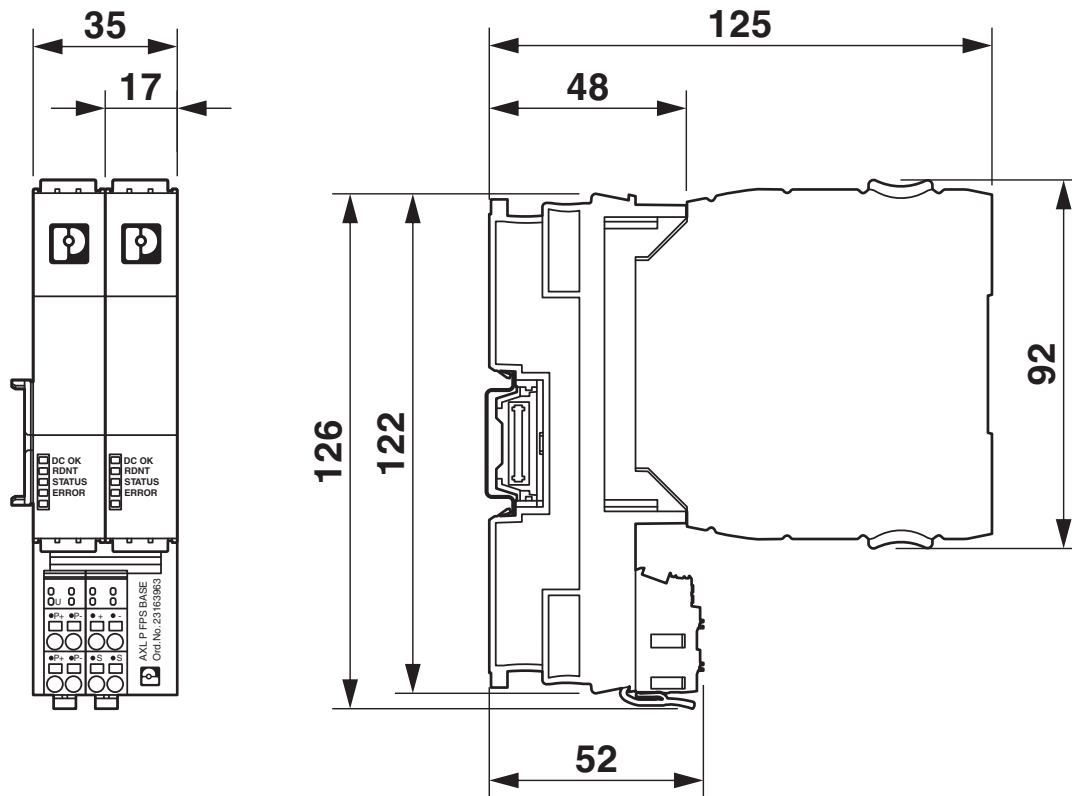
# AXL P FBPS BASE - Base module



2316393

<https://www.phoenixcontact.com/us/products/2316393>

Dimensional drawing



Dimensions with power supply plugs installed in base

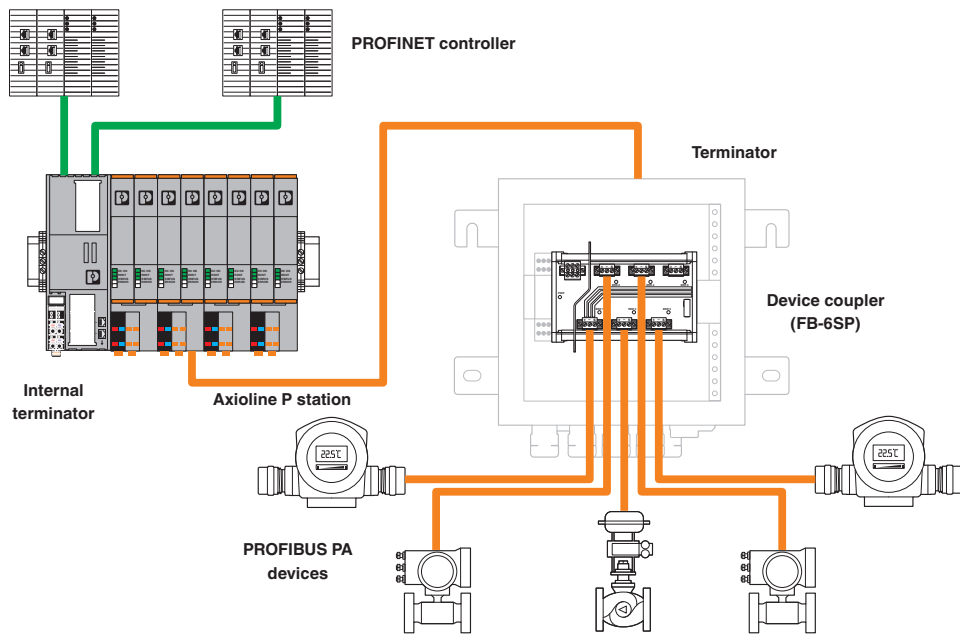
# AXL P FBPS BASE - Base module

2316393

<https://www.phoenixcontact.com/us/products/2316393>



## Application drawing



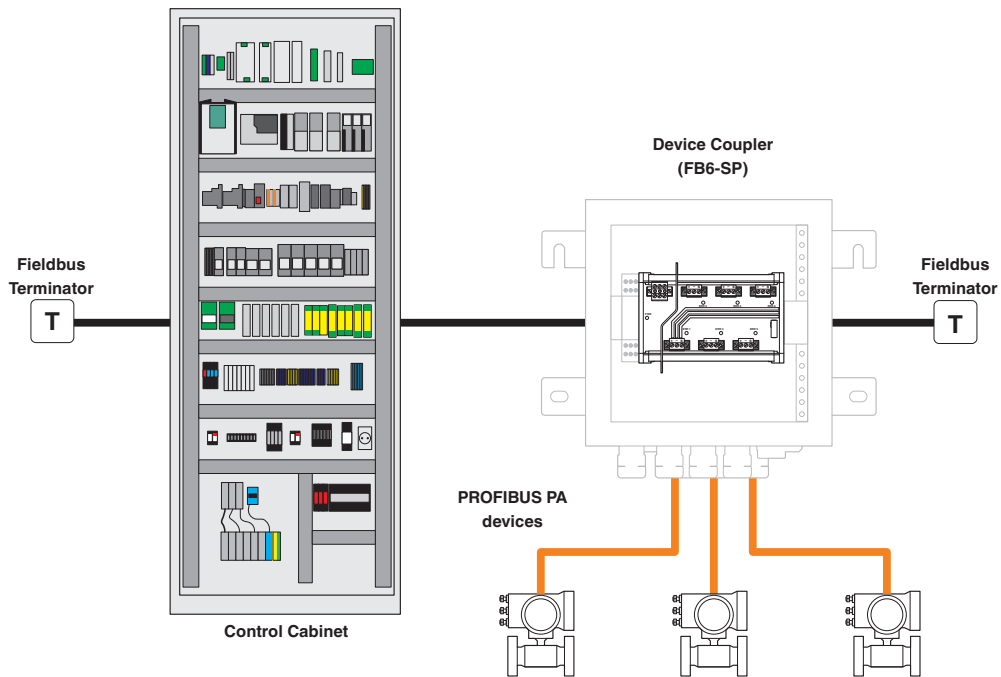
# AXL P FBPS BASE - Base module

2316393

<https://www.phoenixcontact.com/us/products/2316393>



## Application drawing



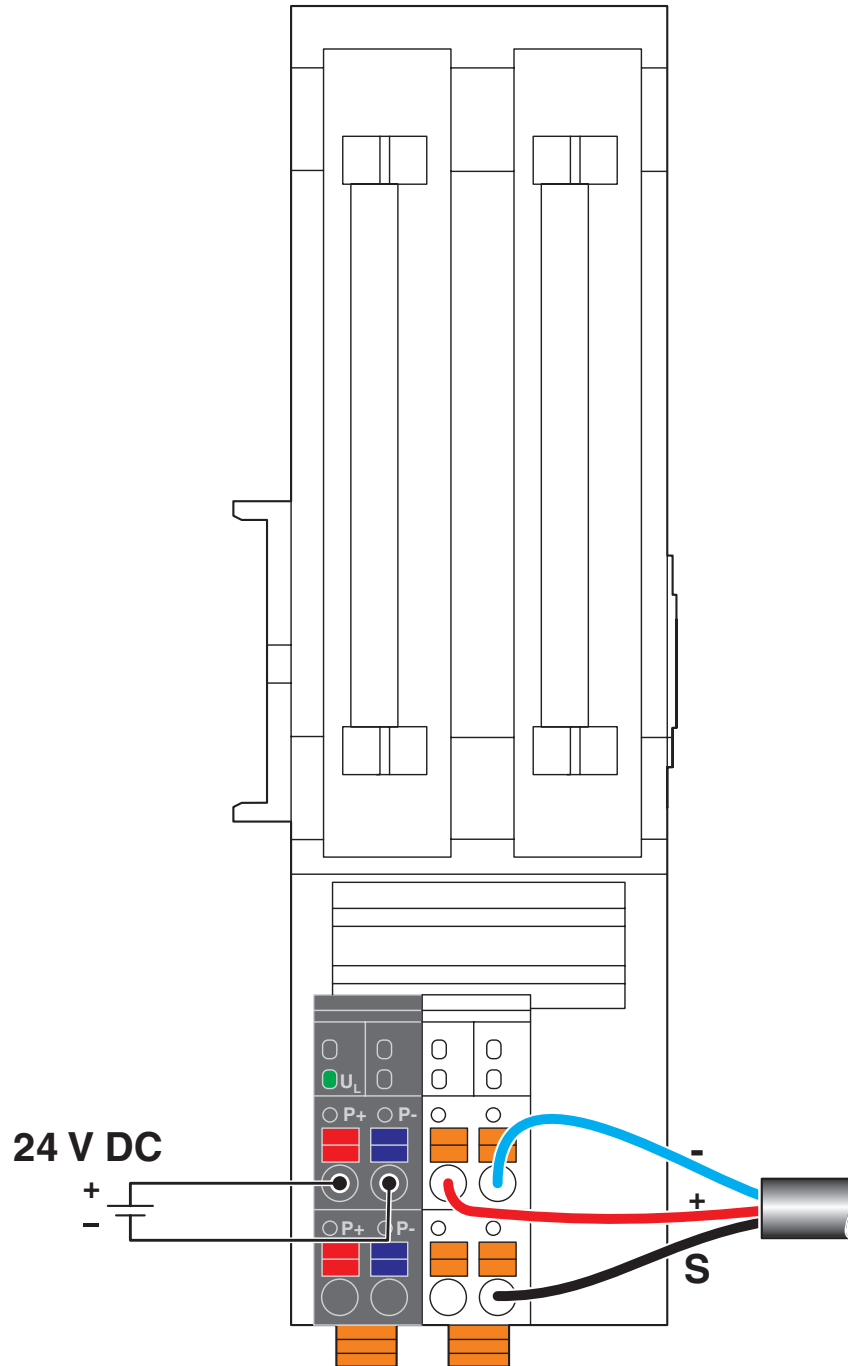
# AXL P FBPS BASE - Base module

2316393

<https://www.phoenixcontact.com/us/products/2316393>



Connection diagram



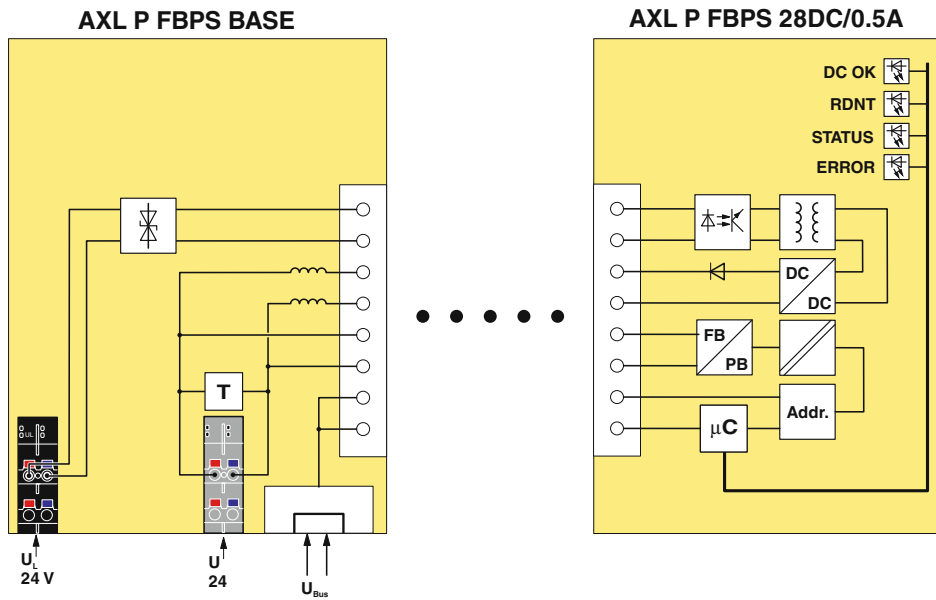
# AXL P FBPS BASE - Base module

2316393

<https://www.phoenixcontact.com/us/products/2316393>



Block diagram



# AXL P FBPS BASE - Base module



2316393

<https://www.phoenixcontact.com/us/products/2316393>

## Approvals

To download certificates, visit the product detail page: <https://www.phoenixcontact.com/us/products/2316393>



**cULus Listed**

Approval ID: E238705



**IECEX**

Approval ID: IECEX IBE 18.0023X



**cUL Listed**

Approval ID: E196811



**UL Listed**

Approval ID: E196811



**CCC**

Approval ID: 202112308114882

# AXL P FBPS BASE - Base module



2316393

<https://www.phoenixcontact.com/us/products/2316393>

## Classifications

### ECLASS

ECLASS-13.0	27242610
ECLASS-15.0	27242610

### ETIM

ETIM 10.0	EC001600
-----------	----------

### UNSPSC

UNSPSC 21.0	32151600
-------------	----------

2316393

<https://www.phoenixcontact.com/us/products/2316393>

## Environmental product compliance

### EU RoHS

Fulfills EU RoHS substance requirements	Yes
Exemption	7(a), 7(c)-I

### China RoHS

Environment friendly use period (EFUP)	EFUP-50
	An article-related China RoHS declaration table can be found in the download area for the respective article under "Manufacturer declaration". For all articles with EFUP-E, no China RoHS declaration table issued and required.

### EU REACH SVHC

REACH candidate substance (CAS No.)	Lead(CAS: 7439-92-1)
SCIP	5e8bcacc-fa0c-4611-a01f-9a110e27f0a4

Phoenix Contact 2026 © - all rights reserved

<https://www.phoenixcontact.com>

Phoenix Contact USA  
586 Fulling Mill Road  
Middletown, PA 17057, United States  
(+717) 944-1300  
[info@phoenixcon.com](mailto:info@phoenixcon.com)