

FB-DP-RPTR/SC - Repeater

2316374

<https://www.phoenixcontact.com/us/products/2316374>

Please be informed that the data shown in this PDF document is generated from our online catalog. Please find the complete data in the user documentation. Our general terms of use for downloads are valid.

PROFIBUS DP interface/repeater module with oscilloscope functionality



Product description

PROFIBUS DP repeater expansion module for the PROFIBUS DP/PA coupler system

Your advantages

- Automatic detection of baud rate up to 12 Mbps
- Integrated switchable terminator
- Supported protocols: DP-V0, V1, V2, FDL, MPI, FMS and Profisafe
- No bus addressing of device required
- Oscilloscope and bar graph functionality

Commercial data

Item number	2316374
Packing unit	1 pc
Minimum order quantity	1 pc
Note	Made to order (non-returnable)
Sales key	DN11
Product key	DNC135
GTIN	4055626021508
Weight per piece (including packing)	281 g
Weight per piece (excluding packing)	281 g
Customs tariff number	85176200
Country of origin	NL

FB-DP-RPTR/SC - Repeater



2316374

<https://www.phoenixcontact.com/us/products/2316374>

Technical data

Notes

Note on application

Note on application	Only for industrial use
---------------------	-------------------------

Product properties

Product type	Device coupler
--------------	----------------

Electrical properties

Supply

Typical current consumption	400 mA
Max. current consumption	555 mA

Connection data

Supply

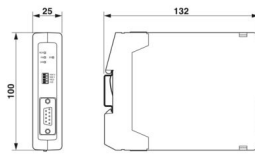
Connection method	Bus base module
Conductor cross-section, flexible	0.20 mm ² ... 2.50 mm ²
Conductor cross-section, rigid	0.20 mm ² ... 2.50 mm ²
Conductor cross-section AWG	24 ... 12

Interfaces

Data: PROFIBUS DP

Transmission speed	12 Mbps (100 m cable length)
	1.5 Mbps (200 m cable length)
	500 kbps (400 m cable length)
	187.5 kbps (1000 m cable length)
Transmission speed range	9.6 kbps ... 93.75 kbps (1200 m cable length)
Termination resistor	390 Ω - 220 Ω - 390 Ω (switchable)

Dimensions

Dimensional drawing	
Width	25 mm
Height	100 mm
Depth	132 mm

Material specifications

FB-DP-RPTR/SC - Repeater



2316374

<https://www.phoenixcontact.com/us/products/2316374>

Color	green
-------	-------

Environmental and real-life conditions

Ambient conditions

Degree of protection	IP20
Ambient temperature (operation)	-20 °C ... 60 °C
Ambient temperature (storage/transport)	-20 °C ... 60 °C
Permissible humidity (operation)	5 % ... 95 % (non-condensing)
Permissible humidity (storage/transport)	5 % ... 95 % (non-condensing)

Approvals

Conformity/Approvals

UL, USA / Canada	UL 508 Listed
UL, Canada	CSA C22.2 No. 142

Standards and regulations

Standards/regulations

Standards/regulations	Ring wave noise immunity in acc. with IEC 61000-4-12
-----------------------	--

Standards/regulations

Standards/regulations	Dry heat in acc. with IEC 61131-2
-----------------------	-----------------------------------

Standards/regulations

Standards/regulations	Damp heat in acc. with IEC 61131-2
-----------------------	------------------------------------

Standards/regulations

Standards/regulations	Shock and vibration in acc. with EN 61131-2 and EN 50178
-----------------------	--

PROFIBUS standardization

Standards/regulations	IEC 61158-2
-----------------------	-------------

Mounting

Mounting type	DIN rail: 35 mm
Assembly note	on standard DIN rail NS 35 in accordance with EN 60715
Mounting position	on horizontal DIN rail NS 35 in acc. with EN 60715

FB-DP-RPTR/SC - Repeater

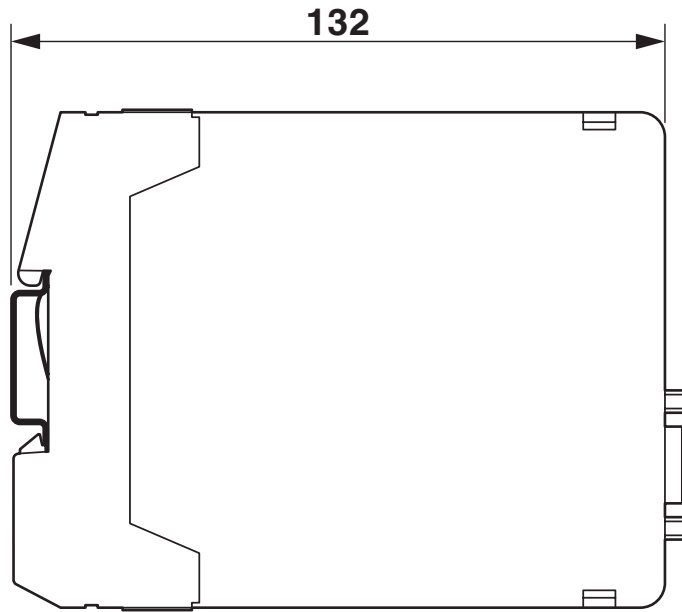
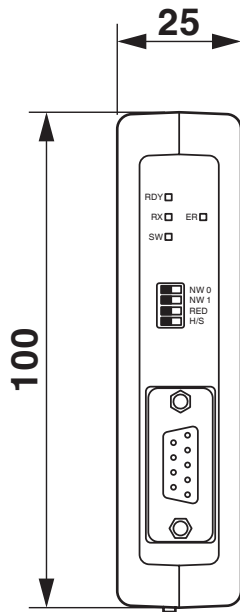
2316374

<https://www.phoenixcontact.com/us/products/2316374>



Drawings

Dimensional drawing



FB-DP-RPTR/SC - Repeater



2316374

<https://www.phoenixcontact.com/us/products/2316374>

Classifications

ECLASS

ECLASS-13.0

27242608

ETIM

ETIM 9.0

EC001604

UNSPSC

UNSPSC 21.0

32151600

2316374

<https://www.phoenixcontact.com/us/products/2316374>

Environmental product compliance

China RoHS

Environment friendly use period (EFUP)	EFUP-50
	An article-related China RoHS declaration table can be found in the download area for the respective article under "Manufacturer declaration". For all articles with EFUP-E, no China RoHS declaration table issued and required.

EU REACH SVHC

REACH candidate substance (CAS No.)	No substance above 0.1 wt%
-------------------------------------	----------------------------

Phoenix Contact 2026 © - all rights reserved
<https://www.phoenixcontact.com>

Phoenix Contact USA
586 Fulling Mill Road
Middletown, PA 17057, United States
(+717) 944-1300
info@phoenixcon.com