

FB-HSB-DP/PA - Converter



2316370

<https://www.phoenixcontact.com/us/products/2316370>

Please be informed that the data shown in this PDF document is generated from our online catalog. Please find the complete data in the user documentation. Our general terms of use for downloads are valid.



PROFIBUS DP to PROFIBUS
PA coupler

PROFIBUS DP to PROFIBUS PA coupler system for integration and diagnostics of PROFIBUS PA in PROFIBUS DP. Includes the one-network head station unit (FB-HSB), PROFIBUS DP repeater (FB-DP-RPTR), and PROFIBUS PA interface module with oscilloscope functionality.

Product description

PROFIBUS coupler/link products transparently convert PROFIBUS DP to PROFIBUS PA, while providing detailed network diagnostics and an oscilloscope feature for PROFIBUS PA

Your advantages

- Powerful, embedded web server for configuration and access to network diagnostics
- Manage and configure PROFIBUS field devices using FDT/DTM
- Auto detect any baud rate up to 12 Mbps transparently
- One communication interface module can drive up to ten individual PROFIBUS DP or PROFIBUS PA modules

Commercial data

Item number	2316370
Packing unit	1 pc
Minimum order quantity	1 pc
Sales key	DN11
Product key	DNC135
GTIN	4055626020471
Weight per piece (including packing)	850.4 g
Weight per piece (excluding packing)	882.4 g
Customs tariff number	85176200
Country of origin	NL

FB-HSB-DP/PA - Converter

2316370

<https://www.phoenixcontact.com/us/products/2316370>



Set consists of

FB-DP-RPTR - Repeater

2316373

<https://www.phoenixcontact.com/us/products/2316373>



PROFIBUS DP interface/repeater module

FB-PA/SC - Repeater

2316375

<https://www.phoenixcontact.com/us/products/2316375>



PROFIBUS PA interface module with oscilloscope

FB-HSB-DP/PA - Converter

2316370

<https://www.phoenixcontact.com/us/products/2316370>



FB-HSB - Converter

2316379

<https://www.phoenixcontact.com/us/products/2316379>



Head station for monitoring one PROFIBUS network

FB-HSB-DP/PA - Converter

2316370

<https://www.phoenixcontact.com/us/products/2316370>



Technical data

Notes

Note on application

Note on application	Only for industrial use
---------------------	-------------------------

Product properties

Product type	Device coupler
--------------	----------------

Electrical properties

Supply

Supply voltage range	10.8 V DC ... 26.4 V DC
Max. current consumption	800 mA

Connection data

Supply

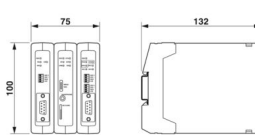
Conductor cross-section, flexible	0.20 mm ² ... 2.50 mm ²
Conductor cross-section, rigid	0.20 mm ² ... 2.50 mm ²
Conductor cross-section AWG	24 ... 12

Interfaces

Data: Ethernet

Connection method	RJ45
No. of channels	1
Conductor cross-section flexible max.	2.5 mm ²
Conductor cross-section flexible min.	0.2 mm ²
Conductor cross-section, rigid max.	2.5 mm ²
Conductor cross-section, rigid min.	0.2 mm ²
Conductor cross-section AWG max.	12
Conductor cross-section AWG min.	24

Dimensions

Dimensional drawing	
Width	75 mm
Height	100 mm
Depth	132 mm

Material specifications

FB-HSB-DP/PA - Converter



2316370

<https://www.phoenixcontact.com/us/products/2316370>

Color	green
-------	-------

Environmental and real-life conditions

Ambient conditions

Degree of protection	IP20
Ambient temperature (operation)	-20 °C ... 60 °C
Ambient temperature (storage/transport)	-20 °C ... 60 °C
Altitude	2000 m
Permissible humidity (operation)	5 % ... 95 % (non-condensing)
Permissible humidity (storage/transport)	5 % ... 95 % (non-condensing)

Approvals

Conformity/Approvals

UL, USA / Canada	UL 508 Listed
UL, Canada	CSA C22.2 No. 142

Standards and regulations

Standards/regulations

Standards/regulations	Ring wave noise immunity in acc. with IEC 61000-4-12
-----------------------	--

Standards/regulations

Standards/regulations	Dry heat in acc. with IEC 61131-2
-----------------------	-----------------------------------

Standards/regulations

Standards/regulations	Damp heat in acc. with IEC 61131-2
-----------------------	------------------------------------

Standards/regulations

Standards/regulations	Shock and vibration in acc. with EN 61131-2 and EN 50178
-----------------------	--

PROFIBUS standardization

Standards/regulations	IEC 61158-2
-----------------------	-------------

Mounting

Mounting type	DIN rail: 35 mm
Mounting position	on horizontal DIN rail NS 35 in acc. with EN 60715

FB-HSB-DP/PA - Converter

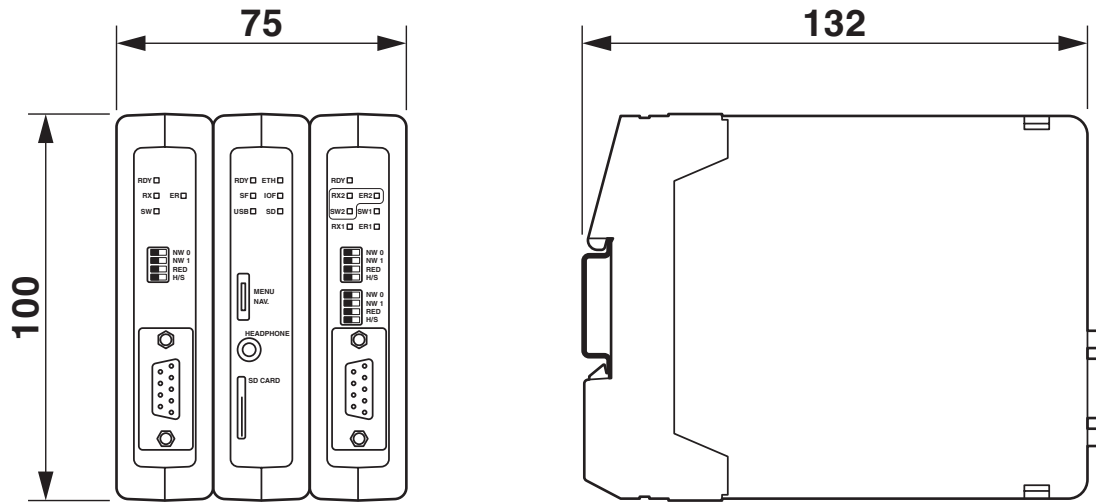
2316370

<https://www.phoenixcontact.com/us/products/2316370>



Drawings

Dimensional drawing



FB-HSB-DP/PA - Converter

2316370

<https://www.phoenixcontact.com/us/products/2316370>



Classifications

ECLASS

ECLASS-13.0

27242608

ETIM

ETIM 9.0

EC001604

UNSPSC

UNSPSC 21.0

32151600

FB-HSB-DP/PA - Converter



2316370

<https://www.phoenixcontact.com/us/products/2316370>

Environmental product compliance

China RoHS

Environment friendly use period (EFUP)	EFUP-50
	An article-related China RoHS declaration table can be found in the download area for the respective article under "Manufacturer declaration". For all articles with EFUP-E, no China RoHS declaration table issued and required.

EU REACH SVHC

REACH candidate substance (CAS No.)	No substance above 0.1 wt%
-------------------------------------	----------------------------

Phoenix Contact 2026 © - all rights reserved
<https://www.phoenixcontact.com>

Phoenix Contact USA
586 Fulling Mill Road
Middletown, PA 17057, United States
(+717) 944-1300
info@phoenixcon.com