

# GW PL DP/MODBUS - Protocol converter



2316365

<https://www.phoenixcontact.com/us/products/2316365>

Please be informed that the data shown in this PDF document is generated from our online catalog. Please find the complete data in the user documentation. Our general terms of use for downloads are valid.

Modbus/RTU to PROFIBUS DP protocol converter



## Product description

Protocol converter capable of connecting four Modbus/RTU devices to a PROFIBUS DP network

## Commercial data

|                                      |               |
|--------------------------------------|---------------|
| Item number                          | 2316365       |
| Packing unit                         | 1 pc          |
| Minimum order quantity               | 1 pc          |
| Sales key                            | DN11          |
| Product key                          | DNC135        |
| GTIN                                 | 4055626127378 |
| Weight per piece (including packing) | 217 g         |
| Weight per piece (excluding packing) | 216 g         |
| Customs tariff number                | 85176200      |
| Country of origin                    | US            |

## Technical data

### Notes

#### Note on application

|                     |                         |
|---------------------|-------------------------|
| Note on application | Only for industrial use |
|---------------------|-------------------------|

#### Utilization restriction

|          |                                                                           |
|----------|---------------------------------------------------------------------------|
| EMC note | EMC: class A product, see manufacturer's declaration in the download area |
|----------|---------------------------------------------------------------------------|

### Product properties

|              |                     |
|--------------|---------------------|
| Product type | Interface converter |
|--------------|---------------------|

#### Insulation characteristics

|                      |    |
|----------------------|----|
| Overvoltage category | II |
| Degree of pollution  | 2  |

### Electrical properties

#### Supply

|                          |                     |
|--------------------------|---------------------|
| Supply voltage range     | 18 V DC ... 30 V DC |
| Nominal supply voltage   | 24 V DC             |
| Max. current consumption | 60 mA               |

### Connection data

#### Supply

|                                   |                                               |
|-----------------------------------|-----------------------------------------------|
| Connection method                 | COMBICON plug-in screw terminal block         |
| Conductor cross-section, flexible | 0.20 mm <sup>2</sup> ... 2.50 mm <sup>2</sup> |
| Conductor cross-section, rigid    | 0.20 mm <sup>2</sup> ... 2.50 mm <sup>2</sup> |
| Conductor cross-section AWG       | 24 ... 12                                     |
| Tightening torque                 | 0.5 Nm ... 0.6 Nm                             |

### Interfaces

|        |        |
|--------|--------|
| Signal | Modbus |
|--------|--------|

#### Data: PROFIBUS DP

|                                       |                                    |
|---------------------------------------|------------------------------------|
| Data rate                             | 9.6 kbps (min.)                    |
|                                       | 12 Mbps (max.)                     |
| Number of connections                 | 2                                  |
| Connection method                     | D-SUB-9, COMBICON                  |
| No. of channels                       | 1                                  |
| Tightening torque                     | 0.5 Nm ... 0.6 Nm                  |
| Connection technology                 | Screw connection                   |
| Termination resistor                  | 390 Ω - 220 Ω - 390 Ω (switchable) |
| Conductor cross-section flexible max. | 2.5 mm <sup>2</sup>                |

# GW PL DP/MODBUS - Protocol converter



2316365

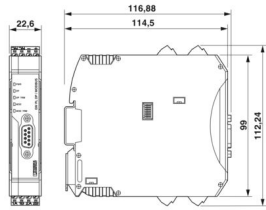
<https://www.phoenixcontact.com/us/products/2316365>

|                                       |                         |
|---------------------------------------|-------------------------|
| Conductor cross-section flexible min. | 0.2 mm <sup>2</sup>     |
| Conductor cross-section, rigid max.   | 2.5 mm <sup>2</sup>     |
| Conductor cross-section, rigid min.   | 0.2 mm <sup>2</sup>     |
| Conductor cross-section AWG max.      | 12                      |
| Conductor cross-section AWG min.      | 24                      |
| Protocols supported                   | Modbus/RTU, PROFIBUS DP |

## Data: Modbus/RTU

|                                       |                        |
|---------------------------------------|------------------------|
| Transmission speed                    | 1200 kbps (min.)       |
| Data rate                             | 115.2 kbps (max.)      |
| Number of connections                 | 2                      |
| Connection method                     | COMBICON               |
| No. of channels                       | 4 (Modbus/RTU devices) |
| Tightening torque                     | 0.5 Nm ... 0.6 Nm      |
| Connection technology                 | Screw connection       |
| Termination resistor                  | Switchable             |
| Conductor cross-section flexible max. | 2.5 mm <sup>2</sup>    |
| Conductor cross-section flexible min. | 0.2 mm <sup>2</sup>    |
| Conductor cross-section, rigid max.   | 2.5 mm <sup>2</sup>    |
| Conductor cross-section, rigid min.   | 0.02 mm <sup>2</sup>   |
| Conductor cross-section AWG max.      | 12                     |
| Conductor cross-section AWG min.      | 24                     |

## Dimensions

|                     |                                                                                      |
|---------------------|--------------------------------------------------------------------------------------|
| Dimensional drawing |  |
| Width               | 22.5 mm                                                                              |
| Height              | 99 mm                                                                                |
| Depth               | 114.5 mm                                                                             |

## Material specifications

|                  |                       |
|------------------|-----------------------|
| Color (Housing)  | light gray (RAL 7035) |
| Housing material | PA V0                 |

## Environmental and real-life conditions

### Ambient conditions

|                                         |                  |
|-----------------------------------------|------------------|
| Degree of protection                    | IP20             |
| Ambient temperature (operation)         | -40 °C ... 85 °C |
| Ambient temperature (storage/transport) | -40 °C ... 85 °C |

# GW PL DP/MODBUS - Protocol converter



2316365

<https://www.phoenixcontact.com/us/products/2316365>

|                                  |                       |
|----------------------------------|-----------------------|
| Altitude                         | 2000 m                |
| Permissible humidity (operation) | 95 % (non-condensing) |
| Shock                            | 30g, 18 ms            |
| Vibration (operation)            | 10 Hz ... 150 Hz, 5g  |

## Approvals

### Ex data

|                  |                                                                                        |
|------------------|----------------------------------------------------------------------------------------|
| ATEX             | PRESAFE 16ATEX7686X, II 3G, Ex nA IIC T4 Gc                                            |
| IECEX            | IECEX PRE 16.0001X, Ex nA IIC T4 Gc                                                    |
| UL, USA / Canada | Class I, Div. 2, Groups A, B, C, D<br>Class I, Zone 2, AEx nA IIC T4, Ex nA IIC T4 GcX |

## Standards and regulations

|                       |              |
|-----------------------|--------------|
| Standards/regulations | IEC 60079-15 |
|                       | IEC 60079-0  |

## Mounting

|                       |                                                        |
|-----------------------|--------------------------------------------------------|
| Mounting type         | DIN rail mounting                                      |
| Assembly note         | on standard DIN rail NS 35 in accordance with EN 60715 |
| Mounting position     | on horizontal DIN rail NS 35 in acc. with EN 60715     |
| Useable DIN rail type | DIN rail: 35 mm                                        |

# GW PL DP/MODBUS - Protocol converter

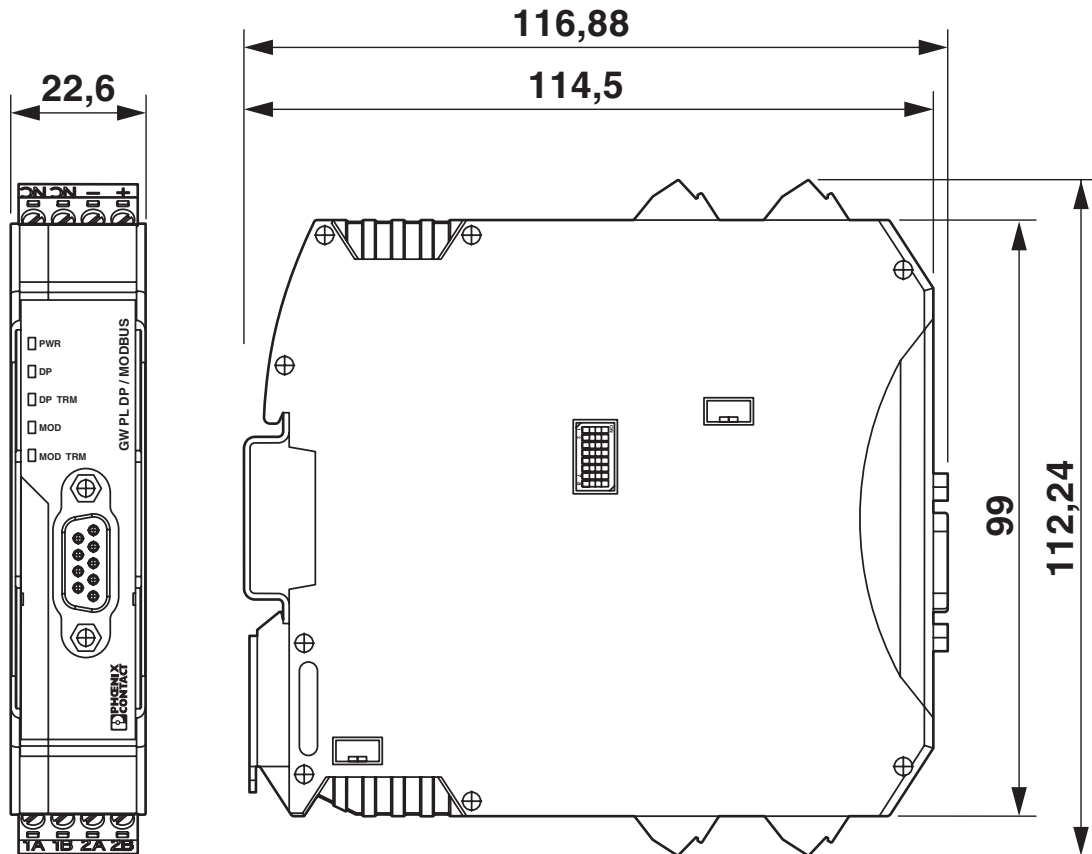
2316365

<https://www.phoenixcontact.com/us/products/2316365>



## Drawings

Dimensional drawing

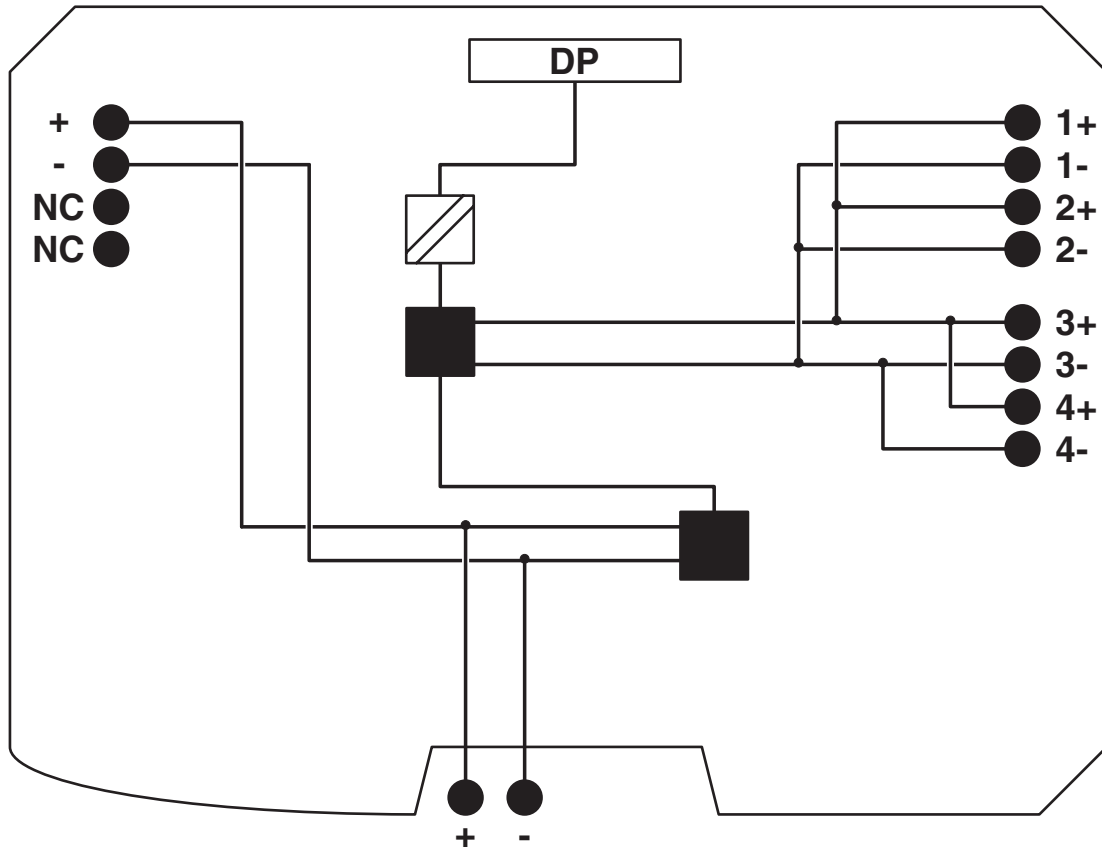


# GW PL DP/MODBUS - Protocol converter

2316365

<https://www.phoenixcontact.com/us/products/2316365>

Block diagram



# GW PL DP/MODBUS - Protocol converter



2316365

<https://www.phoenixcontact.com/us/products/2316365>

## Approvals

To download certificates, visit the product detail page: <https://www.phoenixcontact.com/us/products/2316365>



**IECEx**

Approval ID: IECEx PRE 16 0001X



**cUL Listed**

Approval ID: E199827



**UL Listed**

Approval ID: E199827



**ATEX**

Approval ID: Presafe16ATEX7686X 2

# GW PL DP/MODBUS - Protocol converter



2316365

<https://www.phoenixcontact.com/us/products/2316365>

## Classifications

### ECLASS

|             |          |
|-------------|----------|
| ECLASS-13.0 | 27242208 |
| ECLASS-15.0 | 27242208 |

### UNSPSC

|             |          |
|-------------|----------|
| UNSPSC 21.0 | 32151700 |
|-------------|----------|

# GW PL DP/MODBUS - Protocol converter



2316365

<https://www.phoenixcontact.com/us/products/2316365>

## Environmental product compliance

### EU RoHS

|                                         |                    |
|-----------------------------------------|--------------------|
| Fulfills EU RoHS substance requirements | Yes, No exemptions |
|-----------------------------------------|--------------------|

### China RoHS

|                                        |                                          |
|----------------------------------------|------------------------------------------|
| Environment friendly use period (EFUP) | EFUP-E                                   |
|                                        | No hazardous substances above the limits |

### EU REACH SVHC

|                                     |                            |
|-------------------------------------|----------------------------|
| REACH candidate substance (CAS No.) | No substance above 0.1 wt% |
|-------------------------------------|----------------------------|

Phoenix Contact 2026 © - all rights reserved  
<https://www.phoenixcontact.com>

Phoenix Contact USA  
586 Fulling Mill Road  
Middletown, PA 17057, United States  
(+717) 944-1300  
[info@phoenixcon.com](mailto:info@phoenixcon.com)