

# GW PL FF/MODBUS - Protocol converter



2316363

<https://www.phoenixcontact.com/us/products/2316363>

Please be informed that the data shown in this PDF document is generated from our online catalog. Please find the complete data in the user documentation. Our general terms of use for downloads are valid.

Modbus/RTU to FOUNDATION Fieldbus protocol converter



## Product description

Protocol converter capable of connecting four Modbus/RTU devices to a FOUNDATION Fieldbus network



## Commercial data

Item number	2316363
Packing unit	1 pc
Minimum order quantity	1 pc
Sales key	DN11
Product key	DNC135
GTIN	4055626127392
Weight per piece (including packing)	205.8 g
Weight per piece (excluding packing)	203.1 g
Customs tariff number	85176200
Country of origin	US

## Technical data

### Notes

#### Note on application

Note on application	Only for industrial use
---------------------	-------------------------

#### Utilization restriction

EMC note	EMC: class A product, see manufacturer's declaration in the download area
----------	---------------------------------------------------------------------------

### Product properties

Product type	Interface converter
--------------	---------------------

#### Insulation characteristics

Overvoltage category	II
Degree of pollution	2

### Electrical properties

#### Supply

Supply voltage range	18 V DC ... 30 V DC
Nominal supply voltage	24 V DC
Max. current consumption	34 mA

### Connection data

#### Supply

Connection method	COMBICON plug-in screw terminal block
Conductor cross-section, flexible	0.20 mm <sup>2</sup> ... 2.50 mm <sup>2</sup>
Conductor cross-section, rigid	0.20 mm <sup>2</sup> ... 2.50 mm <sup>2</sup>
Conductor cross-section AWG	24 ... 12
Tightening torque	0.5 Nm ... 0.6 Nm

### Interfaces

Signal	Modbus
--------	--------

#### Data: FOUNDATION Fieldbus

Data rate	31.25 kbps
Number of connections	1
Connection method	COMBICON
No. of channels	1
Tightening torque	0.5 Nm ... 0.6 Nm
Connection technology	Screw connection
Termination resistor	Switchable
Conductor cross-section flexible max.	2.5 mm <sup>2</sup>
Conductor cross-section flexible min.	0.2 mm <sup>2</sup>

# GW PL FF/MODBUS - Protocol converter



2316363

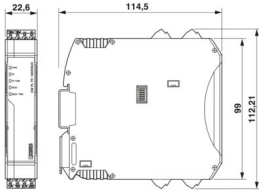
<https://www.phoenixcontact.com/us/products/2316363>

Conductor cross-section, rigid max.	2.5 mm <sup>2</sup>
Conductor cross-section, rigid min.	0.2 mm <sup>2</sup>
Conductor cross-section AWG max.	12
Conductor cross-section AWG min.	24
Protocols supported	Modbus/RTU, FOUNDATION Fieldbus

## Data: Modbus/RTU

Transmission speed	1200 kbps (min.)
Data rate	115.2 kbps (max.)
Number of connections	2
Connection method	COMBICON
No. of channels	4 (Modbus/RTU devices)
Tightening torque	0.5 Nm ... 0.6 Nm
Connection technology	Screw connection
Termination resistor	Switchable
Conductor cross-section flexible max.	2.5 mm <sup>2</sup>
Conductor cross-section flexible min.	0.2 mm <sup>2</sup>
Conductor cross-section, rigid max.	2.5 mm <sup>2</sup>
Conductor cross-section, rigid min.	0.02 mm <sup>2</sup>
Conductor cross-section AWG max.	12
Conductor cross-section AWG min.	24

## Dimensions

Dimensional drawing	
Width	22.5 mm
Height	99 mm
Depth	114.5 mm

## Material specifications

Color (Housing)	light gray (RAL 7035)
Housing material	PA V0

## Environmental and real-life conditions

### Ambient conditions

Degree of protection	IP20
Ambient temperature (operation)	-40 °C ... 85 °C
Ambient temperature (storage/transport)	-40 °C ... 85 °C
Altitude	2000 m

# GW PL FF/MODBUS - Protocol converter



2316363

<https://www.phoenixcontact.com/us/products/2316363>

Permissible humidity (operation)	0 % ... 95 % (non-condensing)
Shock	30g, 18 ms
Vibration (operation)	10 Hz ... 150 Hz, 5g

## Approvals

### Ex data

ATEX	PRESAFE 16ATEX7686X, II 3G, Ex nA IIC T4 Gc
IECEX	IECEX PRE 16.0001X, Ex nA IIC T4 Gc
UL, USA / Canada	Class I, Div. 2, Groups A, B, C, D Class I, Zone 2, AEx nA IIC T4, Ex nA IIC T4 GcX

## Mounting

Mounting type	DIN rail mounting
Assembly note	on standard DIN rail NS 35 in accordance with EN 60715
Mounting position	on horizontal DIN rail NS 35 in acc. with EN 60715
Useable DIN rail type	DIN rail: 35 mm

# GW PL FF/MODBUS - Protocol converter

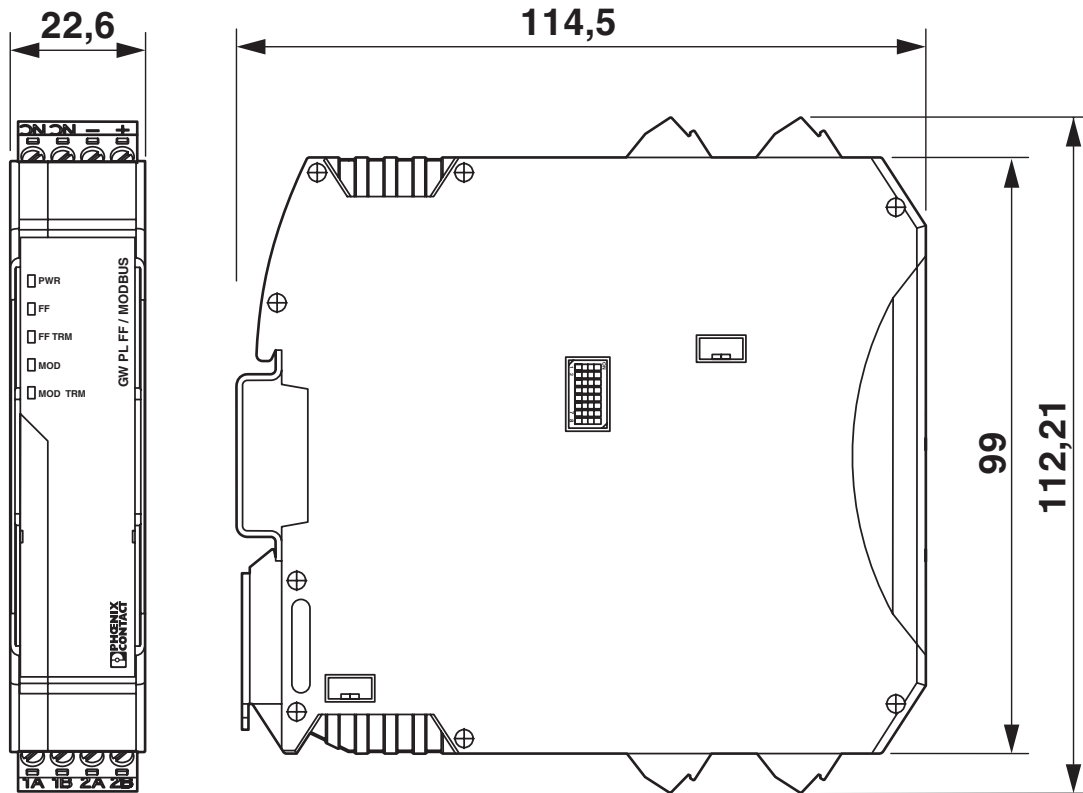


2316363

<https://www.phoenixcontact.com/us/products/2316363>

## Drawings

Dimensional drawing



# GW PL FF/MODBUS - Protocol converter



2316363

<https://www.phoenixcontact.com/us/products/2316363>

## Approvals

To download certificates, visit the product detail page: <https://www.phoenixcontact.com/us/products/2316363>



**IECEx**

Approval ID: IECEx PRE 16 0001X



**cUL Listed**

Approval ID: E199827



**UL Listed**

Approval ID: E199827



**ATEX**

Approval ID: Presafe16ATEX7686X 2

# GW PL FF/MODBUS - Protocol converter



2316363

<https://www.phoenixcontact.com/us/products/2316363>

## Classifications

### ECLASS

ECLASS-13.0	27242208
ECLASS-15.0	27242208

### UNSPSC

UNSPSC 21.0	32151700
-------------	----------

2316363

<https://www.phoenixcontact.com/us/products/2316363>

## Environmental product compliance

### EU RoHS

Fulfills EU RoHS substance requirements	Yes, No exemptions
-----------------------------------------	--------------------

### China RoHS

Environment friendly use period (EFUP)	EFUP-50
	An article-related China RoHS declaration table can be found in the download area for the respective article under "Manufacturer declaration". For all articles with EFUP-E, no China RoHS declaration table issued and required.

### EU REACH SVHC

REACH candidate substance (CAS No.)	No substance above 0.1 wt%
-------------------------------------	----------------------------

Phoenix Contact 2026 © - all rights reserved  
<https://www.phoenixcontact.com>

Phoenix Contact USA  
586 Fulling Mill Road  
Middletown, PA 17057, United States  
(+717) 944-1300  
[info@phoenixcon.com](mailto:info@phoenixcon.com)