

FB-15-AL - Junction box



2316187

<https://www.phoenixcontact.com/us/products/2316187>

Please be informed that the data shown in this PDF document is generated from our online catalog. Please find the complete data in the user documentation. Our general terms of use for downloads are valid.



Aluminum field junction box with 8 ports for use in hazardous locations. Includes FB-ET trunk module, Plugrab base with option for surge protection plug, and DIN rail space for up to 6 device couplers.

Your advantages

- Entries for the trunk line (input/output) and breather connections
- Busbar and shield clamps
- Includes an FB-ET trunk line module and enables the installation of additional couplers and PT plugs
- Cable glands, plugs, and breather must be ordered separately
- Developed specifically for field device coupler systems
- Each housing has M20 ports and can be configured as desired

Commercial data

Item number	2316187
Packing unit	1 pc
Note	Made to order (non-returnable)
Sales key	DN11
Product key	DNC1Z1
GTIN	4046356620390
Weight per piece (including packing)	4,094.6 g
Weight per piece (excluding packing)	4,094.6 g
Customs tariff number	85371010
Country of origin	US

FB-15-AL - Junction box



2316187

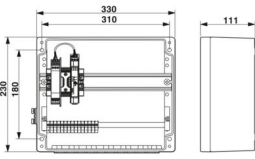
<https://www.phoenixcontact.com/us/products/2316187>

Technical data

Product properties

Product type	Control box
--------------	-------------

Dimensions

Dimensional drawing	
Width	330 mm
Height	230 mm
Depth	111 mm

Material specifications

Color	gray aluminum
Housing material	Aluminum, die-cast, corrosion resistant, powder-coated
Material for screw connection	None

Environmental and real-life conditions

Ambient conditions

Degree of protection	IP66
	NEMA 4X
Ambient temperature (operation)	-40 °C ... 85 °C

Approvals

Conformity/Approvals

ATEX	⊕ II 2 G/2 D
------	--------------

Mounting

Mounting position	vertical
-------------------	----------

FB-15-AL - Junction box

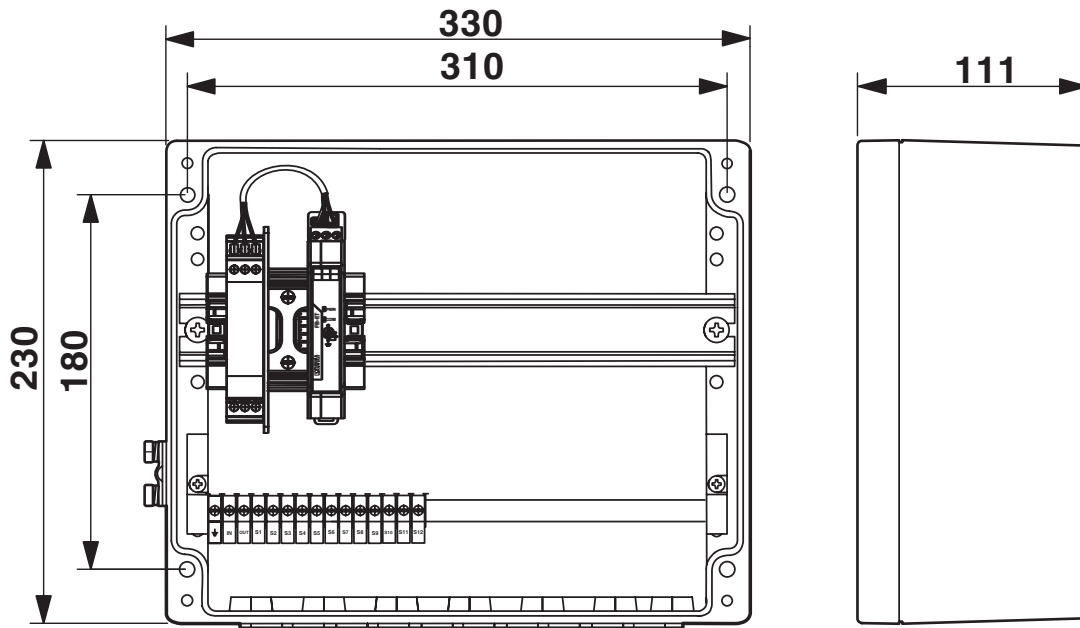
2316187

<https://www.phoenixcontact.com/us/products/2316187>



Drawings

Dimensional drawing



FB-15-AL - Junction box



2316187

<https://www.phoenixcontact.com/us/products/2316187>

Environmental product compliance

EU REACH SVHC

REACH candidate substance (CAS No.)	No substance above 0.1 wt%
-------------------------------------	----------------------------

Phoenix Contact 2026 © - all rights reserved

<https://www.phoenixcontact.com>

Phoenix Contact USA
586 Fulling Mill Road
Middletown, PA 17057, United States
(+717) 944-1300
info@phoenixcon.com