

FB-PS-BASE/EX - Power distributor



2316145

<https://www.phoenixcontact.com/us/products/2316145>

Please be informed that the data shown in this PDF document is generated from our online catalog. Please find the complete data in the user documentation. Our general terms of use for downloads are valid.



Base for fieldbus power supply plugs. Provides redundancy when 2 plugs are installed. Redundancy is maintained across multiple bases via internal power buses. Additional internal bus provides remote indication.

Product description

Modular, single-channel, redundant fieldbus power supply base with terminal block host connectors

Commercial data

Item number	2316145
Packing unit	1 pc
Note	Made to order (non-returnable)
Sales key	DN11
Product key	DNC1Z1
GTIN	4046356619974
Weight per piece (including packing)	339.5 g
Weight per piece (excluding packing)	329.1 g
Customs tariff number	85389099
Country of origin	US

Technical data

Notes

Utilization restriction

CCCex note	Use in potentially explosive areas is not permitted in China.
------------	---

Product properties

Product type	Device coupler
--------------	----------------

Output data

Signal

Output name	Alarm
-------------	-------

Connection data

Supply

Conductor cross-section, flexible	0.20 mm ² ... 2.50 mm ²
Conductor cross-section, rigid	0.20 mm ² ... 2.50 mm ²
Conductor cross-section AWG	30 ... 12

Ex data

Safety data

Input voltage U_i	30.5 V DC (input power)
Input current I_i	850 mA (input power)
Inductance L_i	17.6 mH (trunk and host)
Max. output voltage U_o	30 V DC (trunk and host)

Interfaces

Data: Discrete wiring

Number of connections	4
Connection method	Terminal block
Tightening torque	0.4 Nm ... 0.6 Nm

Dimensions

Width	36 mm
Height	202.5 mm
Depth	61.5 mm

Mechanical tests

Corrosive resistance in accordance with ANSI-ISA 71.04-1985 - Severity level G3	:
---	---

Environmental and real-life conditions

FB-PS-BASE/EX - Power distributor



2316145

<https://www.phoenixcontact.com/us/products/2316145>

Ambient conditions

Degree of protection	IP20 (when D-FB-PS is installed)
Ambient temperature (operation)	-40 °C ... 70 °C
Ambient temperature (storage/transport)	-40 °C ... 85 °C
Max. permissible relative humidity (operation)	95 % (non-condensing)
Permissible humidity (operation)	95 % (non-condensing)

Approvals

ATEX

Identification	II 3 G Ex ec nC IIC T4 Gc
Certificate	Sira 11ATEX4216X

IECEX

Identification	Ex ec nC IIC T4 Gc
Certificate	IECEX SIR 11.0097X

UKCA Ex (UKEX)

Identification	II 3G Ex ec nC IIC T4 Gc
Certificate	PxCAI22UKEx2316132X

Ex data

CSA, USA/Canada	Class I, Div. 2, Groups A, B, C, D; Ex nA nC IIC T4 Class I, Zone 2, AEx nA nC IIC T4
-----------------	--

Standards and regulations

Standards

Standards/regulations	NE21
	EN 61326

Standards/regulations

Standards/regulations	Ring wave noise immunity in acc. with IEC 61000-4-12
-----------------------	--

Standards/regulations

Standards/regulations	Dry heat in acc. with IEC 61131-2
-----------------------	-----------------------------------

Standards/regulations

Standards/regulations	Damp heat in acc. with IEC 61131-2
-----------------------	------------------------------------

Standards/regulations

Standards/regulations	Shock and vibration in acc. with EN 61131-2 and EN 50178
Standards/regulations	IEC 61158-2

Mounting

Mounting type	DIN rail mounting
Mounting position	on horizontal DIN rail NS 35 in acc. with EN 60715

FB-PS-BASE/EX - Power distributor

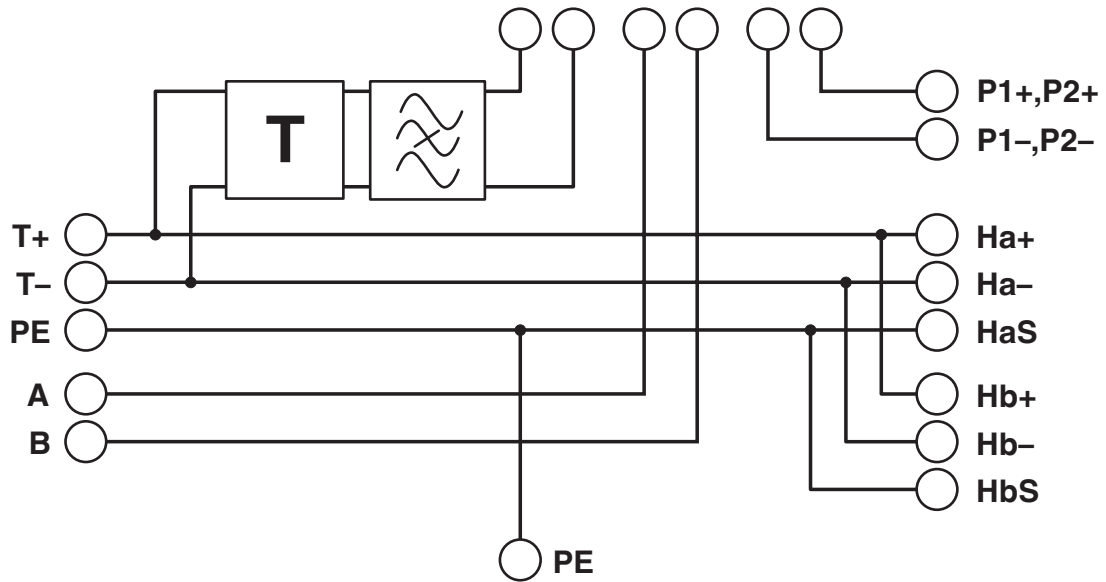


2316145

<https://www.phoenixcontact.com/us/products/2316145>

Drawings

Block diagram



FB-PS-BASE/EX - Power distributor



2316145

<https://www.phoenixcontact.com/us/products/2316145>

Classifications

UNSPSC

UNSPSC 21.0	32151602
-------------	----------

2316145

<https://www.phoenixcontact.com/us/products/2316145>

Environmental product compliance

China RoHS

Environment friendly use period (EFUP)	EFUP-50
	An article-related China RoHS declaration table can be found in the download area for the respective article under "Manufacturer declaration". For all articles with EFUP-E, no China RoHS declaration table issued and required.

EU REACH SVHC

REACH candidate substance (CAS No.)	No substance above 0.1 wt%
-------------------------------------	----------------------------

Phoenix Contact 2026 © - all rights reserved
<https://www.phoenixcontact.com>

Phoenix Contact USA
586 Fulling Mill Road
Middletown, PA 17057, United States
(+717) 944-1300
info@phoenixcon.com