

FB-ET - Trunk module

2316048

<https://www.phoenixcontact.com/us/products/2316048>

Please be informed that the data shown in this PDF document is generated from our online catalog. Please find the complete data in the user documentation. Our general terms of use for downloads are valid.

Trunk module for Foundation Fieldbus and PROFIBUS PA expansions with terminator



Commercial data

Item number	2316048
Packing unit	1 pc
Note	Made to order (non-returnable)
Sales key	DN11
Product key	DNC144
GTIN	4046356466165
Weight per piece (including packing)	106.2 g
Weight per piece (excluding packing)	102.7 g
Customs tariff number	85389099
Country of origin	US

Technical data

Product properties

Product type	Device coupler
--------------	----------------

Electrical properties

Supply

Supply voltage range	24 V DC ... 32 V DC
Nominal supply voltage	24 V DC (IIC)
	32 V DC (IIB)
Typical current consumption	8 mA (without termination resistor)
Max. current consumption	12 mA (with terminator)

Ex data

Safety data

Input voltage U_i	17.5 V (for FB-2SP in a FNICO/FISCO ic system)
---------------------	--

Interfaces

Signal	PROFIBUS
	FOUNDATION Fieldbus

Data: Foundation Fieldbus and PROFIBUS PA Segment

Connection method	Pluggable COMBICON screw connection for each spur
Termination resistor	100 Ω , external removable plug included
Conductor cross-section flexible max.	2.5 mm ²
Conductor cross-section flexible min.	0.2 mm ²
Conductor cross-section, rigid max.	2.5 mm ²
Conductor cross-section, rigid min.	0.2 mm ²
Conductor cross-section AWG max.	12
Conductor cross-section AWG min.	24
Surge protection	Active if voltage exceeds 39 V (typ.) or 41 V (max.)
Voltage drop trunk line / outputs	≤ 0.2 V

Dimensions

Dimensional drawing	
Width	17.5 mm
Height	99.1 mm

Depth	70.4 mm
-------	---------

Material specifications

Color	green
-------	-------

Mechanical tests

Corrosive resistance in accordance with ANSI-ISA 71.04-1985 - Severity level G3	:
---	---

Environmental and real-life conditions

Ambient conditions

Degree of protection	IP20
Ambient temperature (operation)	-40 °C ... 85 °C
Ambient temperature (storage/transport)	-40 °C ... 85 °C
Permissible humidity (operation)	10 % ... 95 % (non-condensing)
Shock	15g, 11 ms
Vibration (operation)	10 Hz ... 150 Hz, 1g

Approvals

Conformity/Approvals

Conformance	CE-compliant, additionally EN 61326
IEC	IEC 60529, IEC 61158-2
CSA, USA/Canada	Class I, Zone 2, AEx nA IIC T4 Class I, Division 2, Groups A,B,C,D
Fieldbus Foundation	FF-846
EN	EN 61326, EN 60068-2-27, EN 60068-2-6
NE	NAMUR NE 21

Ex data

ATEX	Sira 08ATEX4302X; II 3G Ex nA IIC T4 Gc II 3G Ex ic IIC T4 Gc, FISCO ic II 3G Ex nL IIC T4 Gc, FNICO
IECEX	IECEX SIR 08.0109X; Ex nA IIC T4 Gc; Ex ic IIC T4 Gc, FISCO ic; Ex nL IIC T4 Gc, FNICO
CSA, USA/Canada	Class I, Division 2, Groups A,B,C,D; Ex nA IIC T4 Class I, Zone 2, AEx nA IIC T4

Standards and regulations

Standards

Standards/regulations	IEC 60529, IEC 61158-2
	NE21
	EN 61326, EN 60068-2-27, EN 60068-2-6
	FF-846

Standards/regulations

Standards/regulations	Ring wave noise immunity in acc. with IEC 61000-4-12
-----------------------	--

FB-ET - Trunk module



2316048

<https://www.phoenixcontact.com/us/products/2316048>

Standards/regulations

Standards/regulations	Dry heat in acc. with IEC 61131-2
-----------------------	-----------------------------------

Standards/regulations

Standards/regulations	Damp heat in acc. with IEC 61131-2
-----------------------	------------------------------------

Standards/regulations

Standards/regulations	Shock and vibration in acc. with EN 61131-2 and EN 50178
Standards/regulations	IEC 61158-2

Mounting

Mounting type	DIN rail mounting
Mounting position	on horizontal DIN rail NS 35 in acc. with EN 60715

FB-ET - Trunk module

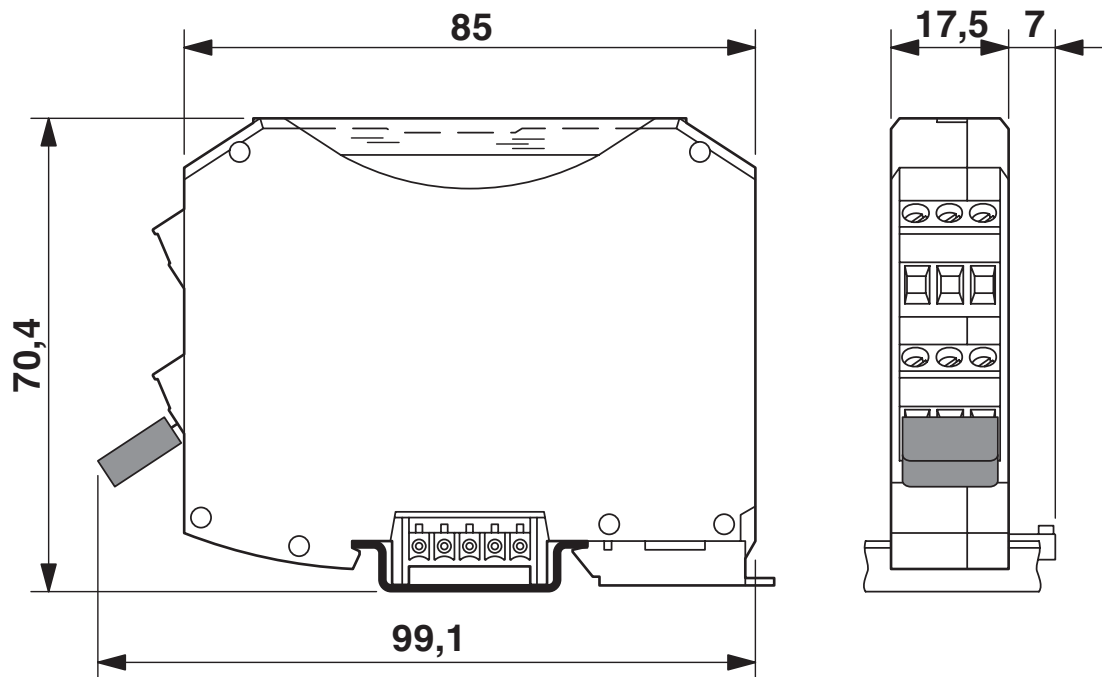
2316048

<https://www.phoenixcontact.com/us/products/2316048>

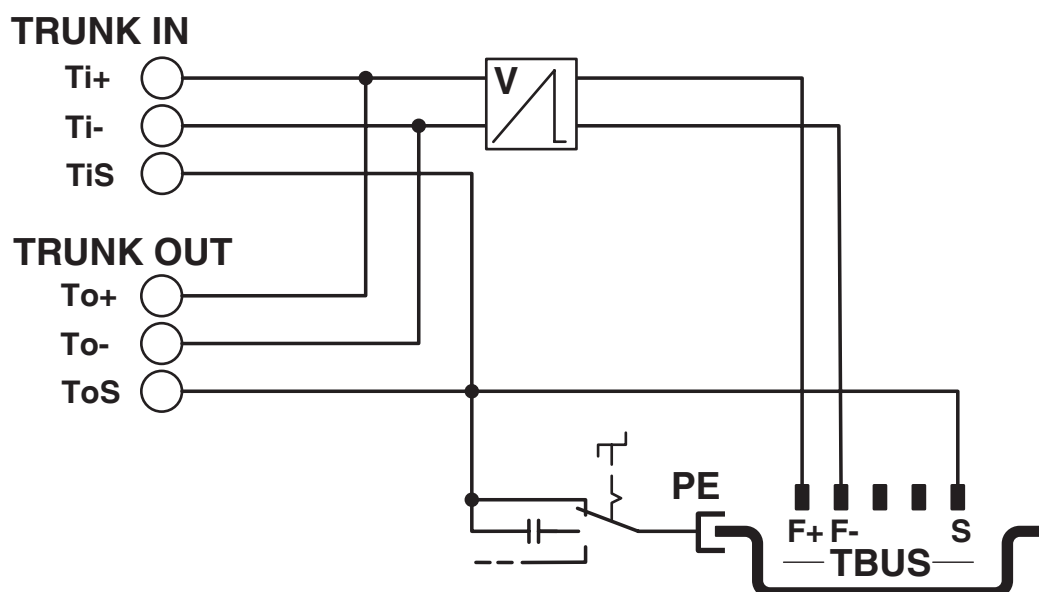


Drawings

Dimensional drawing



Circuit diagram



Connection diagram: FB-ET

FB-ET - Trunk module

2316048

<https://www.phoenixcontact.com/us/products/2316048>



Classifications

UNSPSC

UNSPSC 21.0	32151600
-------------	----------

Environmental product compliance

EU RoHS

Fulfills EU RoHS substance requirements	Yes
Exemption	7(a), 7(c)-I

China RoHS

Environment friendly use period (EFUP)	EFUP-50
	An article-related China RoHS declaration table can be found in the download area for the respective article under "Manufacturer declaration". For all articles with EFUP-E, no China RoHS declaration table issued and required.

EU REACH SVHC

REACH candidate substance (CAS No.)	Lead(CAS: 7439-92-1)
-------------------------------------	----------------------