

FB-PS-25/0.36A - Power supply



2316035

<https://www.phoenixcontact.com/us/products/2316035>

Please be informed that the data shown in this PDF document is generated from our online catalog. Please find the complete data in the user documentation. Our general terms of use for downloads are valid.



Isolated Foundation Fieldbus Power Supply with integrated Terminator. Multiple single channel modules can be installed using Phoenix Contacts TBUS connector system reducing wiring and installation costs.

Commercial data

Item number	2316035
Packing unit	1 pc
Note	Made to order (non-returnable)
Sales key	DN11
Product key	DNC1Z1
GTIN	4046356298698
Weight per piece (including packing)	229.6 g
Weight per piece (excluding packing)	229.6 g
Customs tariff number	85044030
Country of origin	SG

Technical data

Input data

Input voltage	24 V DC
Nominal input voltage range	19.2 V DC ... 35 V DC
Input voltage range DC	19.2 V DC ... 35 V DC

Output data

Output voltage range	25 V DC ... 27 V DC (on the trunk)
Nominal output current (I_N)	360 mA
Output power	13.5 W
Power dissipation	2 W (typical)

Connection data

Input

Connection method	Screw connection
Conductor cross-section, rigid min.	0.2 mm ²
Conductor cross-section, rigid max.	2.5 mm ²
Conductor cross-section flexible min.	0.2 mm ²
Conductor cross-section flexible max.	2.5 mm ²
Conductor cross-section AWG min.	24
Conductor cross-section AWG max.	12

Output

Connection method	Screw connection
Conductor cross-section, rigid min.	0.2 mm ²
Conductor cross-section, rigid max.	2.5 mm ²
Conductor cross-section flexible min.	0.2 mm ²
Conductor cross-section flexible max.	2.5 mm ²
Conductor cross-section AWG min.	24
Conductor cross-section AWG max.	12

Signaling

Signal output: Power OK

Status display	LED (green)
----------------	-------------

Signal output: OVERLOAD

Status display	LED (red)
----------------	-----------

Electrical properties

Electrical isolation	250 V AC (IEC 62103)
----------------------	----------------------

Product properties

Product type	Power supply
--------------	--------------

FB-PS-25/0.36A - Power supply



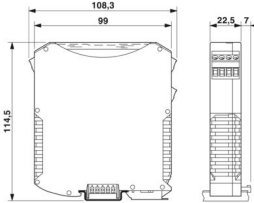
2316035

<https://www.phoenixcontact.com/us/products/2316035>

Insulation characteristics

Degree of pollution	2
---------------------	---

Dimensions

Dimensional drawing	
Width	22.5 mm
Height	114.5 mm
Depth	108.3 mm

Mounting

Mounting position	horizontal DIN rail NS 35, EN 60715
-------------------	-------------------------------------

Environmental and real-life conditions

Ambient conditions

Degree of protection	IP20
Ambient temperature (operation)	-40 °C ... 60 °C
Ambient temperature (storage/transport)	-40 °C ... 85 °C
Max. permissible relative humidity (operation)	95 % (non-condensing)
Shock	15g, 11 ms
Vibration (operation)	10 Hz ... 150 Hz, 1g

Standards and regulations

Electrical isolation	250 V AC (IEC 62103)
----------------------	----------------------

Standards

Standards/regulations	IEC 60529, IEC 61158-2
	NE21
	EN 61326, EN 60068-2-27, EN 60068-2-6
Standards/specifications	IEC 60529, IEC 61158-2
	NAMUR NE 21
	EN 61326, EN 60068-2-27, EN 60068-2-6

Approvals

Conformity/Approvals

ATEX	Ⓔ II 3 G Ex nA II T4 X
IEC	IEC 60529, IEC 61158-2
UL, USA / Canada	Class I, Zone 2, Group IIC T4
	Class I, Div. 2, Groups A, B, C, D, T4

FB-PS-25/0.36A - Power supply



2316035

<https://www.phoenixcontact.com/us/products/2316035>

Fieldbus Foundation	FF-831
EN	EN 61326, EN 60068-2-27, EN 60068-2-6
NE	NAMUR NE 21

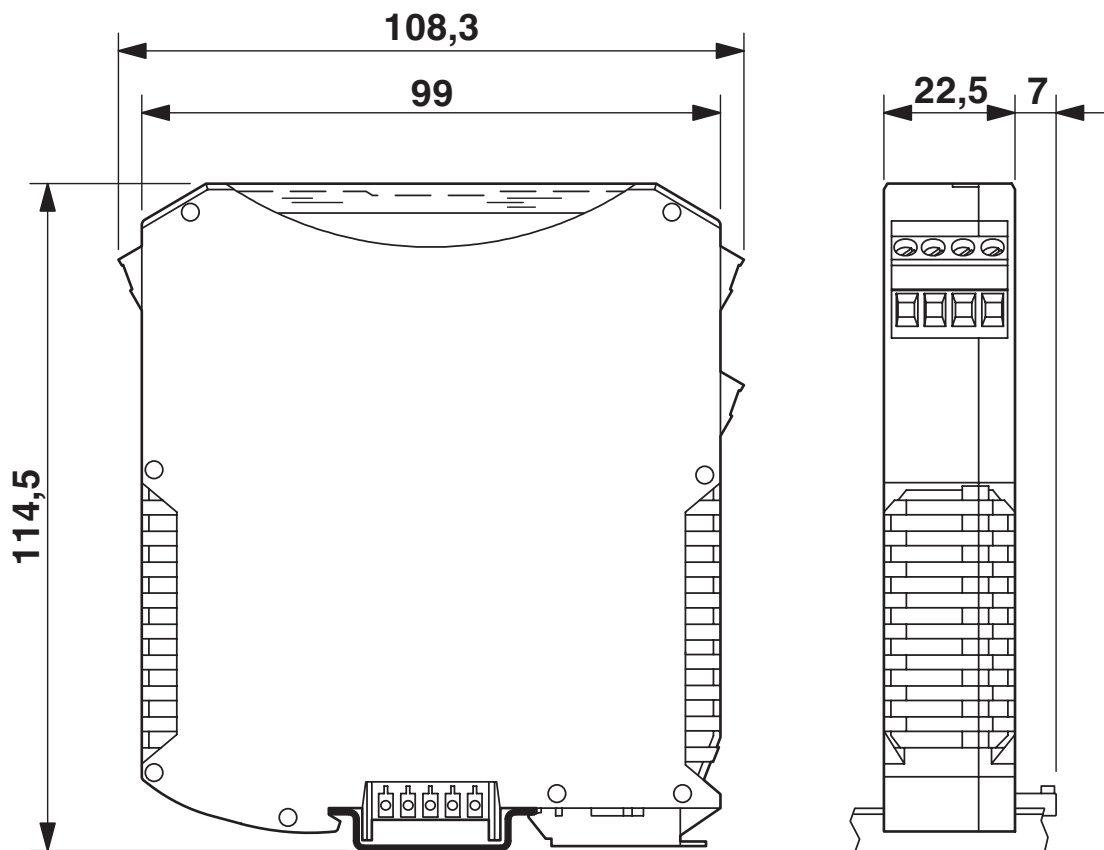
FB-PS-25/0.36A - Power supply

2316035

<https://www.phoenixcontact.com/us/products/2316035>

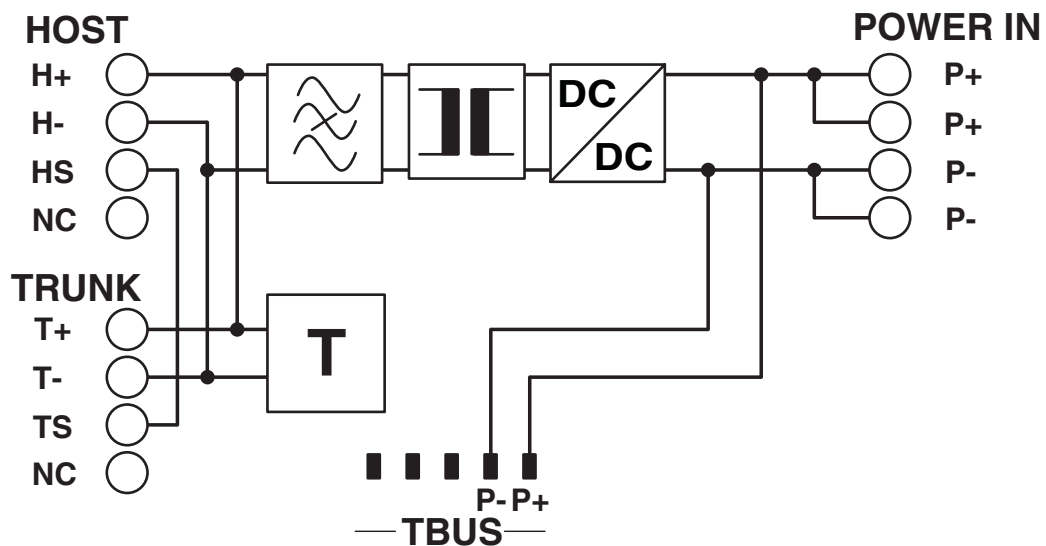
Drawings

Dimensional drawing



FB-PS-25/0.36A

Block diagram



Connection diagram: FB-PS-25/0.36A

FB-PS-25/0.36A - Power supply



2316035

<https://www.phoenixcontact.com/us/products/2316035>

Environmental product compliance

EU REACH SVHC

REACH candidate substance (CAS No.)	
-------------------------------------	--

	No substance above 0.1 wt%
--	----------------------------

Phoenix Contact 2026 © - all rights reserved

<https://www.phoenixcontact.com>

Phoenix Contact USA
586 Fulling Mill Road
Middletown, PA 17057, United States
(+717) 944-1300
info@phoenixcon.com