

# FLKM S135-460-4UA/I/S400 - Front adapter



2314613

<https://www.phoenixcontact.com/us/products/2314613>

Please be informed that the data shown in this PDF document is generated from our online catalog. Please find the complete data in the user documentation. Our general terms of use for downloads are valid.



The FLKM S135/S400 adapter connects a SIMATIC® S5 plug directly to the SIMATIC® S7 400 base board.

Conversion: 6ES5 460-4UA13 (current measurement) to 6ES7 431 1KF00-0AB0

## Commercial data

Item number	2314613
Packing unit	1 pc
Note	Made to order (non-returnable)
Sales key	C421
Product key	DK233S
GTIN	4046356143882
Weight per piece (including packing)	352.6 g
Weight per piece (excluding packing)	334.7 g
Customs tariff number	85369010
Country of origin	DE

# FLKM S135-460-4UA/I/S400 - Front adapter



2314613

<https://www.phoenixcontact.com/us/products/2314613>

## Technical data

### Product properties

Product type	Front adapter
--------------	---------------

### Insulation characteristics

Overvoltage category	II
Pollution degree	2

### Electrical properties

Max. permissible operating voltage	60 V DC
Max. permissible current	4 A (per path) 4 A (per connection, supply via separate power supply)
Rated insulation voltage	63 V
Rated surge voltage	0.6 kV (Functional insulation)

Supported controller: SIEMENS S5-135 U

Suitable I/O card	6ES5 460-4UA13
-------------------	----------------

### Connection data

#### Field level

Connection method	SIEMENS S5-135 U pin strip
-------------------	----------------------------

### Environmental and real-life conditions

#### Ambient conditions

Degree of protection	IP00
Ambient temperature (operation)	-20 °C ... 50 °C
Ambient temperature (storage/transport)	-20 °C ... 70 °C

### Standards and regulations

Standards/regulations	IEC 60664 DIN EN 50178
-----------------------	---------------------------

### Mounting

Mounting position	any
-------------------	-----

### Notes

Notes on operation	The LEDs of the S7-400 module are hidden.
Notes on operation	For proper use, the specifications of the installation directive (see Downloads) must be observed. For applications or use with third-party products, the specifications, and the safety and warning instructions of the respective third-party manufacturer must also be met.

# FLKM S135-460-4UA/I/S400 - Front adapter

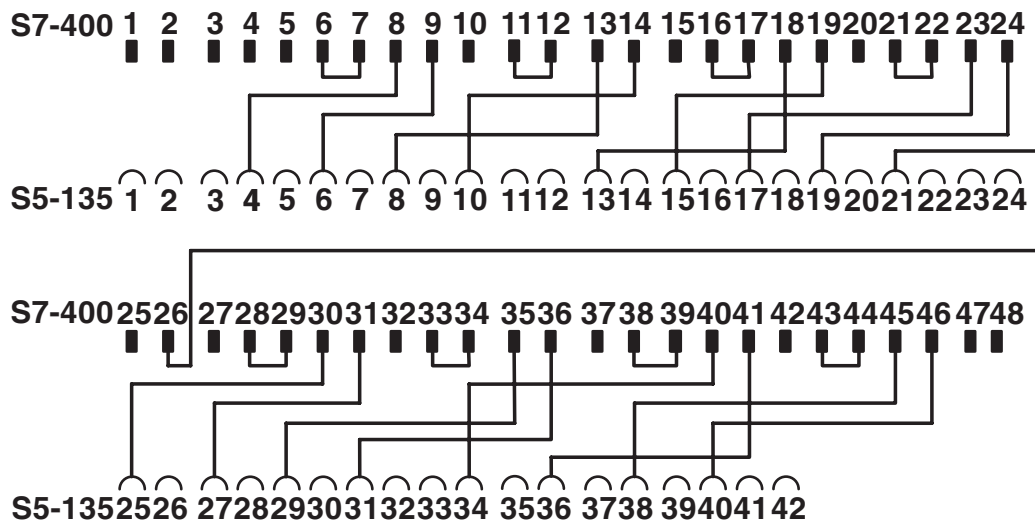


2314613

<https://www.phoenixcontact.com/us/products/2314613>

## Drawings

Circuit diagram



FLKM S135-460-4UA/I/S400 connection scheme

# FLKM S135-460-4UA/I/S400 - Front adapter



2314613

<https://www.phoenixcontact.com/us/products/2314613>

## Classifications

### ECLASS

ECLASS-13.0	27242292
-------------	----------

### UNSPSC

UNSPSC 21.0	32151601
-------------	----------

# FLKM S135-460-4UA/I/S400 - Front adapter



2314613

<https://www.phoenixcontact.com/us/products/2314613>

## Environmental product compliance

### EU RoHS

Fulfills EU RoHS substance requirements	Yes, No exemptions
---	--------------------

### China RoHS

Environment friendly use period (EFUP)	EFUP-E
	No hazardous substances above the limits

### EU REACH SVHC

REACH candidate substance (CAS No.)	No substance above 0.1 wt%
-------------------------------------	----------------------------

Phoenix Contact 2026 © - all rights reserved  
<https://www.phoenixcontact.com>

Phoenix Contact USA  
586 Fulling Mill Road  
Middletown, PA 17057, United States  
(+717) 944-1300  
[info@phoenixcon.com](mailto:info@phoenixcon.com)