

PSI-MODEM-3G/ROUTER - Router



2314008

<https://www.phoenixcontact.com/us/products/2314008>

Please be informed that the data shown in this PDF document is generated from our online catalog. Please find the complete data in the user documentation. Our general terms of use for downloads are valid.



Industrial UMTS/GSM router (850, 900, 1800, 1900, 2100 MHz) with Ethernet interface. Firewall, NAT and IPsec VPN support. SMA-F female antenna connector. Sending via SMS. 6 digital inputs, 4 digital outputs. Configuration via web-based management.

Your advantages

- Configuration via web-based management
- Up to 3 VPN tunnels simultaneously
- Starting of VPN via call
- High electromagnetic compatibility
- Starting of VPN via SMS
- Authentication with X.509 certificates
- Connection monitoring
- Encryption of both SIM card PINs
- Firewall
- NAT table
- 10/100 Mbps
- Autocrossing
- UMTS mobile phone network: 850, 1900, and 2100 MHz
- GSM mobile phone network: 850, 900, 1800, and 1900 MHz
- Connection establishment via IP addresses

Commercial data

Item number	2314008
Packing unit	1 pc
Note	Made to order (non-returnable)
Sales key	DN25
Product key	DNC422
GTIN	4046356594387
Weight per piece (including packing)	321.6 g
Weight per piece (excluding packing)	200 g
Customs tariff number	85176200
Country of origin	DE

Technical data

Product properties

Product type	Cellular router
--------------	-----------------

Security functions

1:1 Network Address Translation (NAT) in the VPN	supported
Number of VPN tunnels	3
Authentication	X.509v3, PSK
Data integrity	MD5, SHA-1
Dynamic Host Configuration Protocol (DHCP) support	Server
Filtering	IP, port, protocol
Firewall rules	Stateful inspection firewall
Internet Protocol Security (IPsec) mode	ESP tunnel
Network Time Protocol (NTP) client	Client/server
Remote Syslog Logging	on external server
Encryption methods	3DES, AES-128, -192, -256

Electrical properties

Electrical isolation	VCC // UMTS // Ethernet // PE
Maximum power dissipation for nominal condition	4 W
Mains type	Cellular communication
Test voltage data interface/data interface	1 kV (50 Hz, 1 min.)
Test voltage data interface/power supply	1 kV (50 Hz, 1 min.)

Supply

Supply voltage range	10 V DC ... 30 V DC (via pluggable COMBICON screw terminal block)
Typical current consumption	< 200 mA (24 V DC)
	< 90 mA (stand by)
Max. current consumption	< 800 mA (At 10 V DC (incl. 4x 50 mA for the outputs))

Function

Management	Web-based management, SNMP
------------	----------------------------

Input data

Digital

Description of the input	Digital input
Number of inputs	6
Voltage input signal	10 V DC ... 30 V DC

Output data

Signal

Output name	Digital output
-------------	----------------

PSI-MODEM-3G/ROUTER - Router



2314008

<https://www.phoenixcontact.com/us/products/2314008>

Number of outputs	4
Voltage output signal	10 V DC ... 30 V DC (depending on the operating voltage)
Current output signal	≤ 50 mA (Short-circuit-proof)

Connection data

Supply

Tightening torque	0.56 Nm ... 0.79 Nm
-------------------	---------------------

Interfaces

Signal	Ethernet
Web server	yes

Data: Ethernet interface, 10/100Base-T(X) in accordance with IEEE 802.3

Serial transmission speed	10/100 Mbps, auto negotiation
Connection method	RJ45 jack, shielded
No. of channels	1
Transmission length	100 m (shielded twisted pair)
Protocols supported	TCP/IP, UDP/IP, FTP, HTTP
Auxiliary protocols	ARP, DHCP, PING (ICMP), SNMP V1, SMTP

Wireless

Interface description	GSM / GPRS / EDGE
Frequency	850 MHz (2 W (EGSM))
	900 MHz (2 W (EGSM))
	1800 MHz (1 W (EGSM))
	1900 MHz (1 W (EGSM))
	850 MHz (0.25 W (UMTS))
	1900 MHz (0.25 W (UMTS))
	2100 MHz (0.25 W (UMTS))
Transmission power	0.25 W
Data rate	≤ 7.2 Mbps (HSDPA)
	≤ 5.7 Mbps (HSUPA)
Antenna	50 Ω impedance SMA antenna socket
Antenna connection method	SMA (female)
SIM Interface	1.8 volt, 3 volt
	1.8 volt, 3 volt
GPRS	Class 12, Class B
	CS1 ... CS4
EDGE	Multislot Class 10
UMTS	HSPA 3GPP R6
Network function	4 time slots for receiving data, 4 time slots for transmitting data. The PIN is saved in the modem. After a voltage interruption, there is automatic redialing into the network. Integrated TCP/IP stack, firewall and VPN support, independent connection establishment.
Network check	LED bar graph to display receive quality

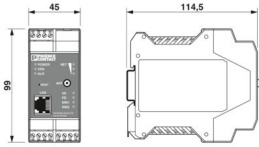
PSI-MODEM-3G/ROUTER - Router



2314008

<https://www.phoenixcontact.com/us/products/2314008>

Dimensions

Dimensional drawing	
Width	45 mm
Height	99 mm
Depth	114.5 mm

Material specifications

Color (Housing)	green (RAL 6021)
Material (Housing)	PA 6.6-FR

Mechanical tests

Free fall in accordance with IEC 60068-2-32	Free fall: 1 m
Vibration resistance in accordance with EN 60068-2-6/IEC 60068-2-6	Vibration (operation): 5g, 10...150 Hz, 2.5 h, in XYZ direction
Shock in accordance with EN 60068-2-27/IEC 60068-2-27	Shock (operation): Operation: 15g, 11 ms period, half-sine shock pulse
	Shock (storage/transport): Storage: 30g, 11 ms period, half-sine shock pulse

Environmental and real-life conditions

Ambient conditions

Degree of protection	IP20
Ambient temperature (operation)	-25 °C ... 65 °C (not aligned)
Ambient temperature (storage/transport)	-40 °C ... 85 °C
Altitude	≤ 5000 m (For restrictions, see the manufacturer's declaration for altitude operation)
Permissible humidity (operation)	30 % ... 95 % (non-condensing)
Permissible humidity (storage/transport)	30 % ... 95 % (non-condensing)

Approvals

CE

Certificate	CE-compliant
-------------	--------------

UL, USA/Canada

Identification	508 Listed
----------------	------------

Corrosive gas test

Identification	ISA-S71.04-1985 G3 Harsh Group A
----------------	----------------------------------

EMC data

Electromagnetic compatibility	Conformance with R&TTE directive 1999/5/EC
-------------------------------	--

PSI-MODEM-3G/ROUTER - Router



2314008

<https://www.phoenixcontact.com/us/products/2314008>

Noise immunity	EN 61000-6-2
Electrostatic discharge	
Standards/regulations	EN 61000-4-2
Electrostatic discharge	
Contact discharge	± 4 kV (Test Level 3)
Discharge in air	± 8 kV (Test Level 3)
Comments	Criterion B
Electromagnetic HF field	
Standards/regulations	EN 61000-4-3
Electromagnetic HF field	
Frequency range	80 MHz ... 3 GHz (Test Level 3)
Field intensity	10 V/m
Comments	Criterion A
Fast transients (burst)	
Standards/regulations	EN 61000-4-4
Fast transients (burst)	
Input	± 1 kV (Test Level 3)
Signal	± 1 kV (Ethernet and antenna)
Comments	Criterion B
Surge current load (surge)	
Standards/regulations	EN 61000-4-5
Surge current load (surge)	
Input	± 1 kV (symmetrical) ± 2 kV (asymmetrical)
Signal	± 1 kV (Data line, asymmetrical) ± 1 kV (Antenna)
Comments	Criterion B
Conducted interference	
Standards/regulations	EN 61000-4-6
Conducted interference	
Frequency range	0.15 MHz ... 80 MHz
Comments	Criterion A
Voltage	10 V
Emitted interference	
Radio interference voltage in acc. with EN 55011	Class B, area of application: Industry and residential
Emitted radio interference in acc. with EN 55011	Class B, area of application: Industry and residential

Mounting

PSI-MODEM-3G/ROUTER - Router

2314008

<https://www.phoenixcontact.com/us/products/2314008>



Mounting type	DIN rail mounting
---------------	-------------------

PSI-MODEM-3G/ROUTER - Router

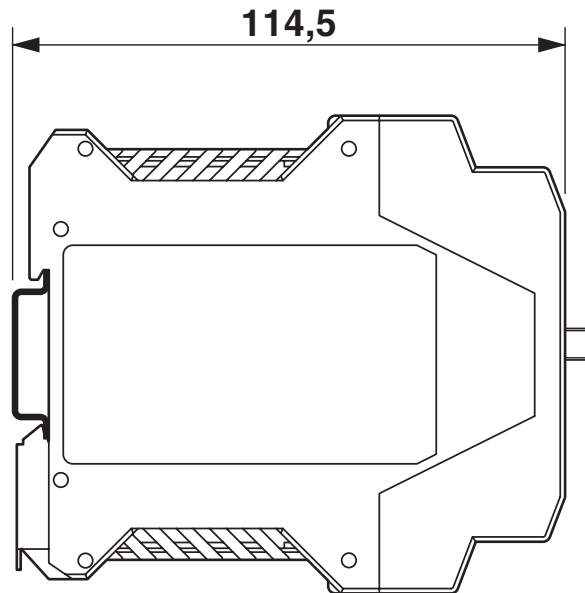
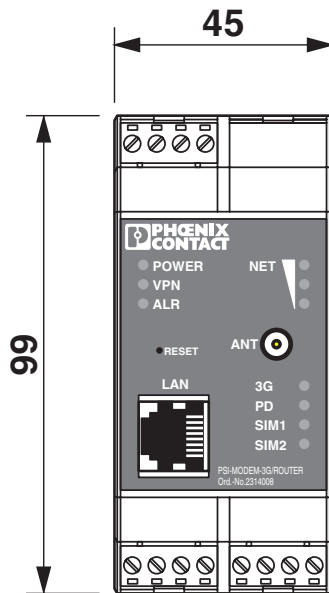


2314008

<https://www.phoenixcontact.com/us/products/2314008>

Drawings

Dimensional drawing



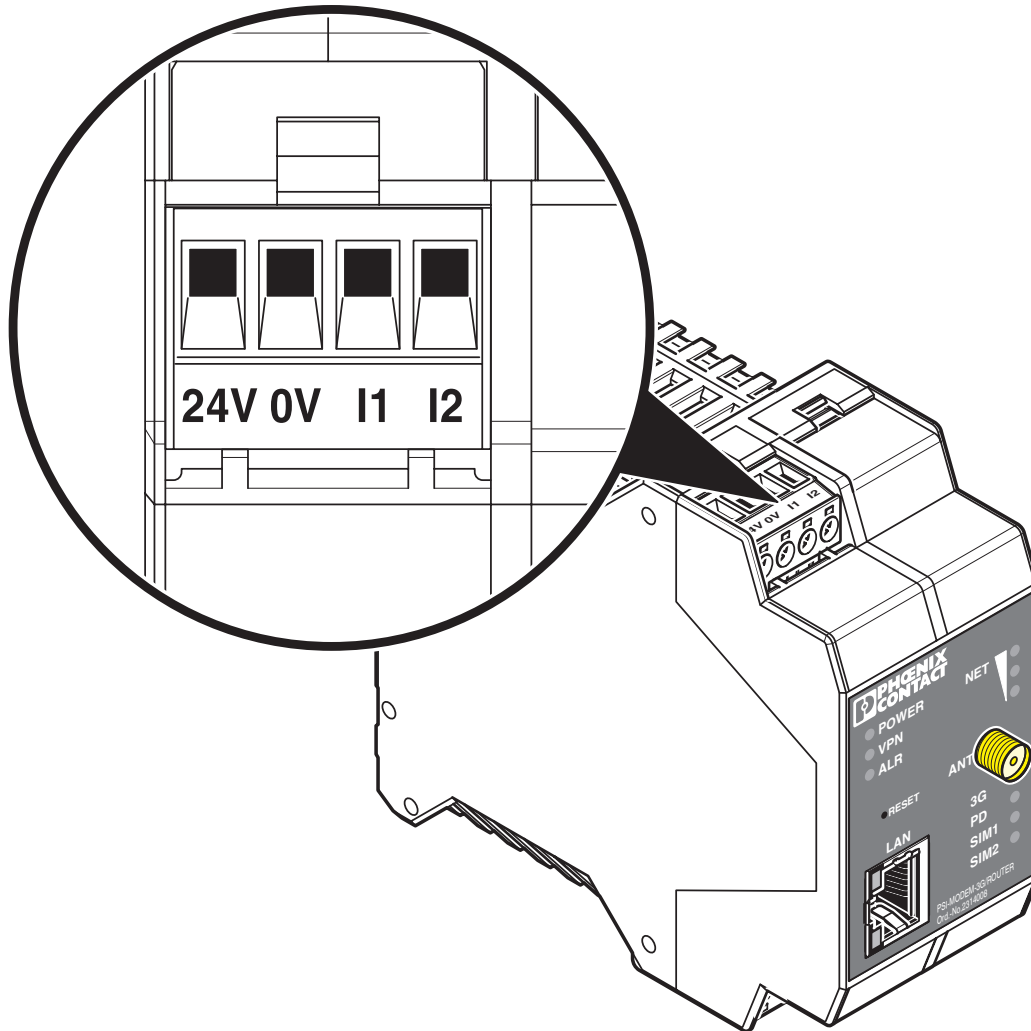
PSI-MODEM-3G/ROUTER - Router



2314008

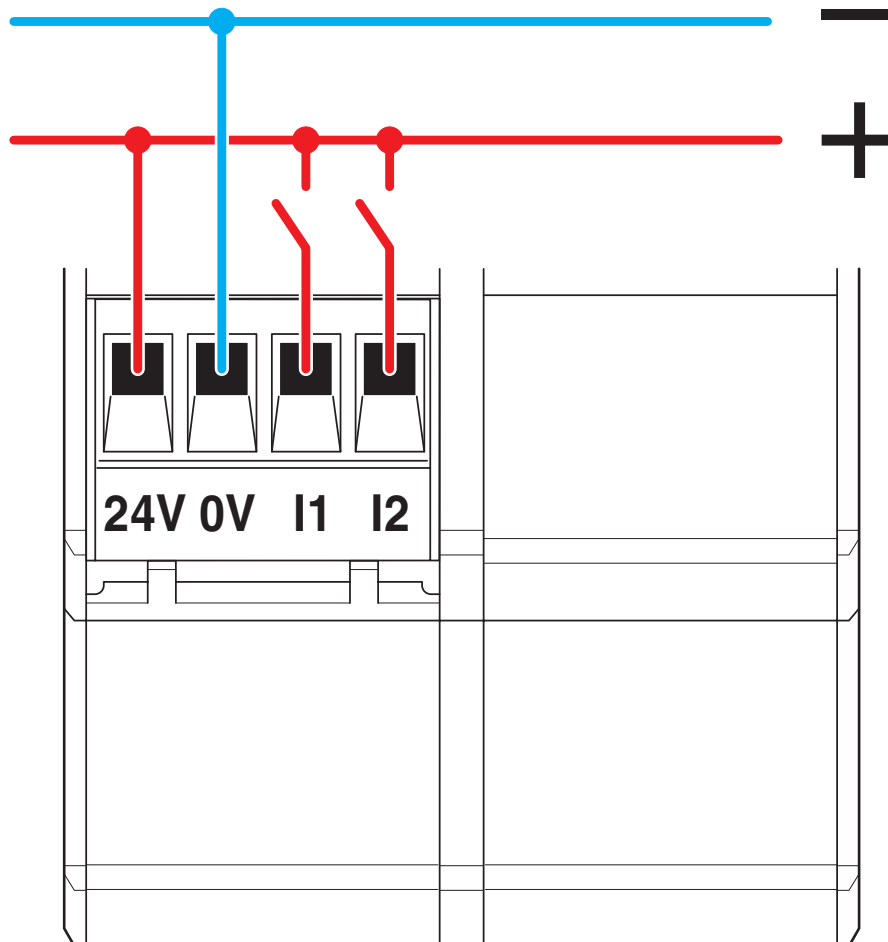
<https://www.phoenixcontact.com/us/products/2314008>

Connection diagram



Device connections

Connection diagram



Switching inputs

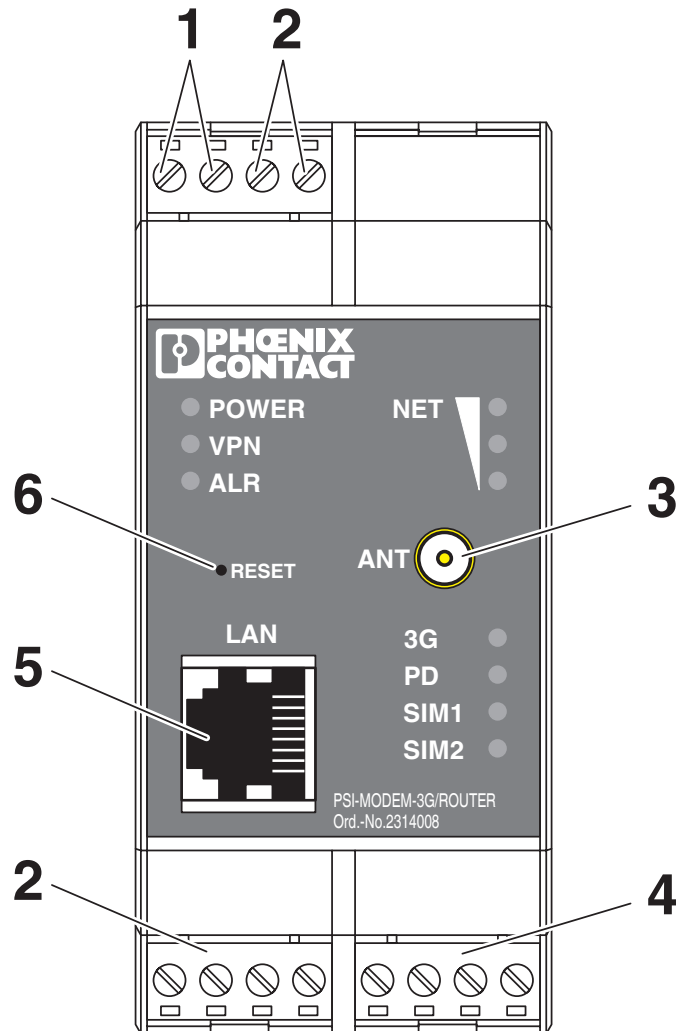
PSI-MODEM-3G/ROUTER - Router

2314008

<https://www.phoenixcontact.com/us/products/2314008>

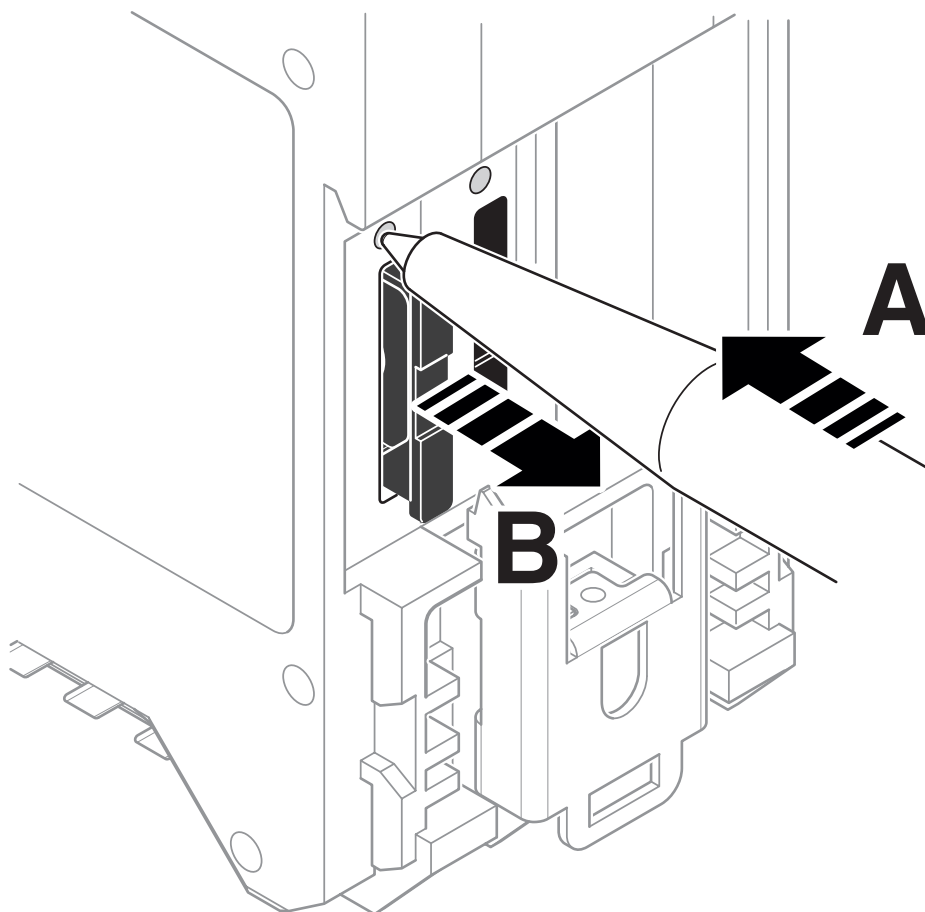


Schematic diagram



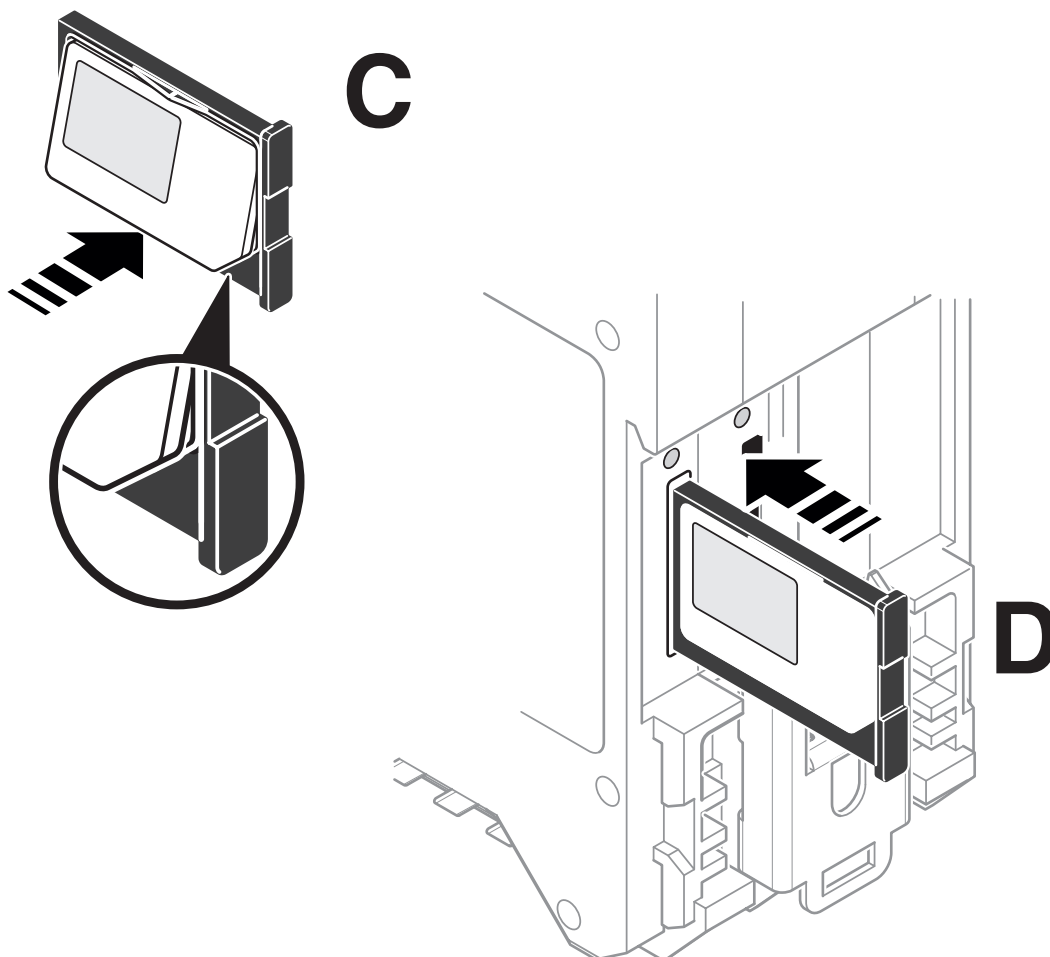
Front view

Schematic diagram



Insert the SIM card

Schematic diagram



Insert the SIM card

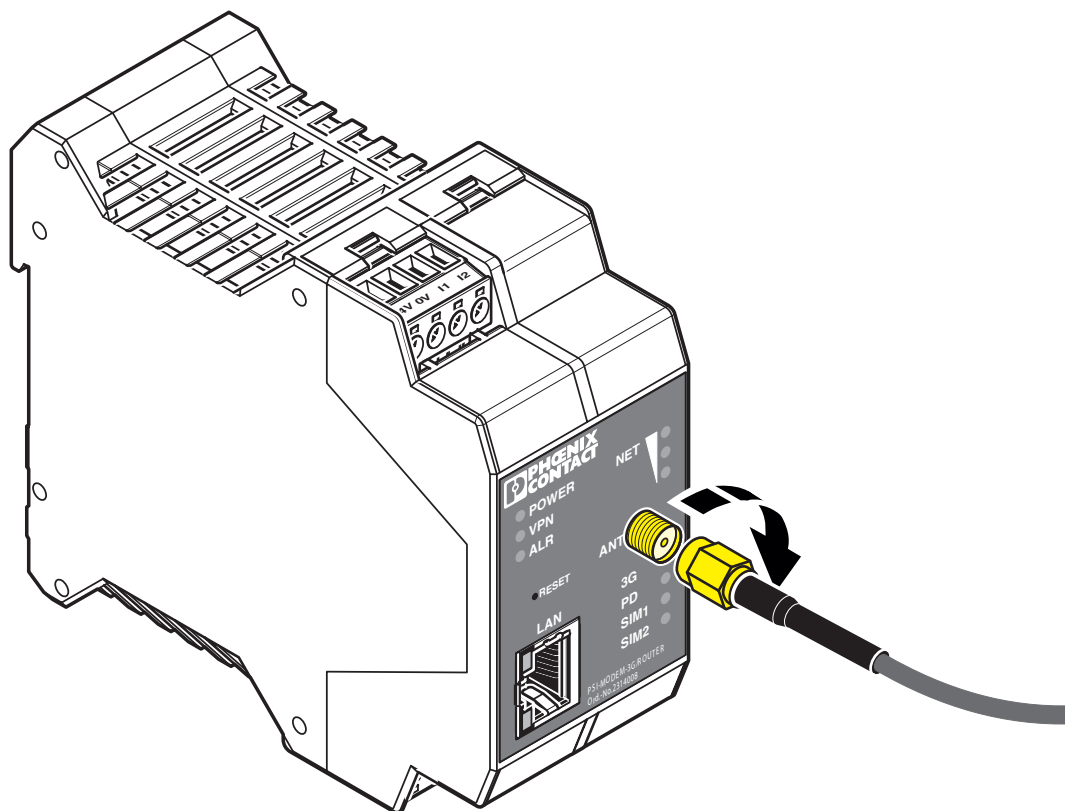
PSI-MODEM-3G/ROUTER - Router

2314008

<https://www.phoenixcontact.com/us/products/2314008>



Schematic diagram



Connect the antenna

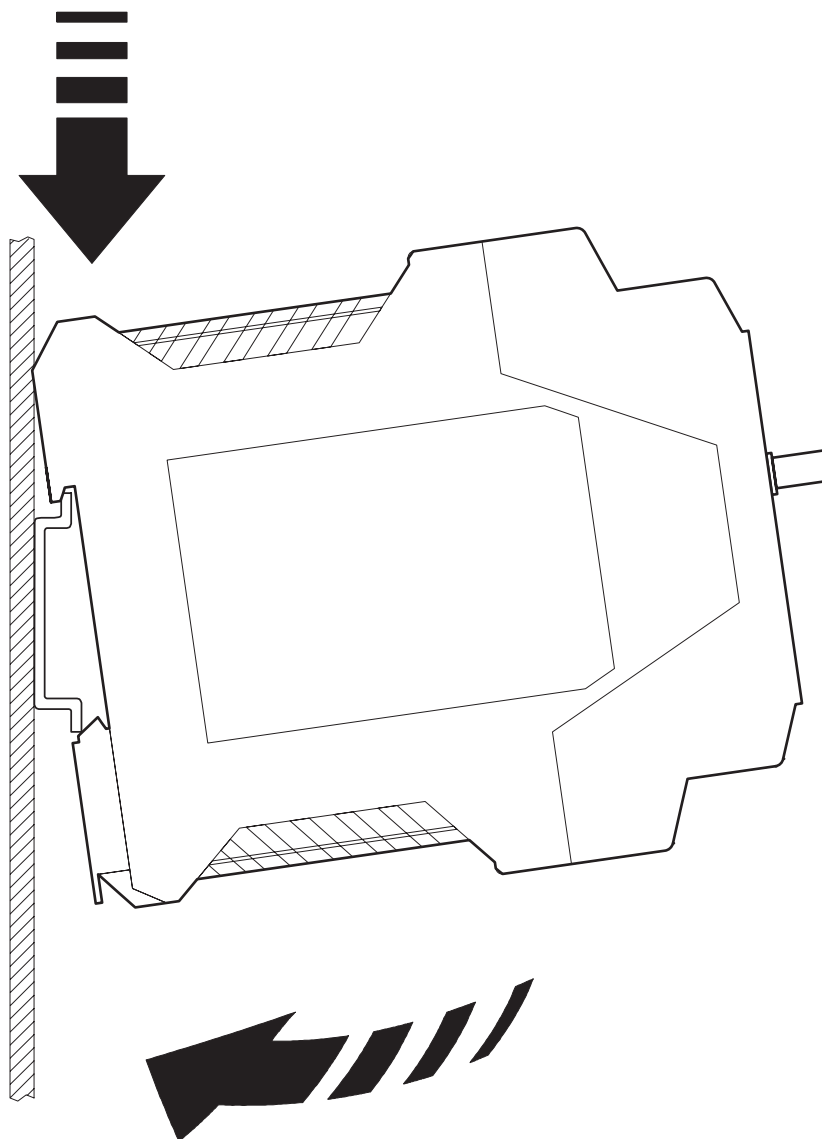
PSI-MODEM-3G/ROUTER - Router

2314008

<https://www.phoenixcontact.com/us/products/2314008>



Schematic diagram



Mounting

PSI-MODEM-3G/ROUTER - Router



2314008

<https://www.phoenixcontact.com/us/products/2314008>

Environmental product compliance

EU RoHS

Fulfills EU RoHS substance requirements	Yes, No exemptions
---	--------------------

China RoHS

Environment friendly use period (EFUP)	EFUP-50
	An article-related China RoHS declaration table can be found in the download area for the respective article under "Manufacturer declaration". For all articles with EFUP-E, no China RoHS declaration table issued and required.

EU REACH SVHC

REACH candidate substance (CAS No.)	No substance above 0.1 wt%
-------------------------------------	----------------------------

Phoenix Contact 2026 © - all rights reserved

<https://www.phoenixcontact.com>

Phoenix Contact USA
586 Fulling Mill Road
Middletown, PA 17057, United States
(+717) 944-1300
info@phoenixcon.com