

PSI-TERMINATOR-PB - Termination resistor



2313944

<https://www.phoenixcontact.com/us/products/2313944>

Please be informed that the data shown in this PDF document is generated from our online catalog. Please find the complete data in the user documentation. Our general terms of use for downloads are valid.



Active termination resistor for PROFIBUS and RS-485 bus systems. Compact design, electrical isolation between supply and data interface, bus termination can be activated, integrated programming interface.

Product description

PROFIBUS or other RS-485 networks can be actively terminated at the end of the bus using the **PSI-TERMINATOR-PB**. This ensures safe communication even if the bus device is connected/disconnected during operation. In addition, the connectable termination enables the device to be operated as a service interface at any point in the bus system. For the operation of active programming and diagnostic devices, the required power supply is provided at the alternative D-SUB connection.

Your advantages

- Extended temperature range of -20°C ... +65°C
- DIN rail mounting
- Termination can be connected externally
- Fixed programming interface in the network
- Electrical isolation of power supply and data interface
- Interference-free bus communication thanks to active termination
- Diagnostic LEDs for voltage and data activity
- Compact housing design

Commercial data

Item number	2313944
Packing unit	1 pc
Note	Made to order (non-returnable)
Sales key	DN11
Product key	DNC141
GTIN	4046356579445
Weight per piece (including packing)	136 g
Weight per piece (excluding packing)	124.2 g
Customs tariff number	85389091
Country of origin	DE

PSI-TERMINATOR-PB - Termination resistor



2313944

<https://www.phoenixcontact.com/us/products/2313944>

Technical data

Notes

Utilization restriction

EMC note	EMC: class A product, see manufacturer's declaration in the download area
----------	---

Utilization restriction

CCCex note	Use in potentially explosive areas is not permitted in China.
------------	---

Product properties

Product type	Terminal resistor
MTTF	3550 Years (SN 29500 standard, temperature 25°C, operating cycle 21%)
	1818 Years (SN 29500 standard, temperature 40°C, operating cycle 34.25%)
	849 Years (SN 29500 standard, temperature 40°C, operating cycle 100%)
MTBF	2383 Years (Telcordia standard, 25°C temperature, 21% operating cycle (5 days a week, 8 hours a day))
	559 Years (Telcordia standard, 40°C temperature, 34.25% operating cycle (5 days a week, 12 hours a day))

Electrical properties

Electrical isolation	RS-485 // VCC
Maximum power dissipation for nominal condition	1.08 W
Test voltage data interface/power supply	1.5 kV _{rms} (50 Hz, 1 min.)

Supply

Supply voltage range	19.2 V DC ... 28.8 V DC (via pluggable COMBICON screw terminal block)
Nominal supply voltage	24 V DC (via pluggable COMBICON screw terminal block)
Typical current consumption	45 mA (24 V DC)

Function

Status and diagnostic indicators	LEDs: UL (communications power), data activity (not marked)
----------------------------------	---

Connection data

Supply

Tightening torque	0.56 Nm ... 0.79 Nm
-------------------	---------------------

Interfaces

Signal	Modbus
	PROFIBUS

Data: PROFIBUS acc. to IEC 61158, RS-485 2-conductor

Serial transmission speed	≤ 12 Mbps
---------------------------	-----------

PSI-TERMINATOR-PB - Termination resistor

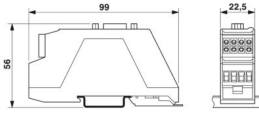


2313944

<https://www.phoenixcontact.com/us/products/2313944>

Connection method	D-SUB-9, COMBICON
Transmission length	≤ 1200 m (Depends on transmission speed and cable type)
Termination resistor	390 Ω
	220 Ω
	390 Ω (Can be connected)
Conductor cross-section flexible max.	1.5 mm ²
Conductor cross-section flexible min.	0.2 mm ²
Conductor cross-section, rigid max.	1.5 mm ²
Conductor cross-section, rigid min.	0.2 mm ²
Conductor cross-section AWG max.	16
Conductor cross-section AWG min.	24
Output nominal voltage	5 V DC

Dimensions

Dimensional drawing	
Width	22.5 mm
Height	99 mm
Depth	56 mm

Material specifications

Color (Housing)	green (RAL 6021)
Material (Housing)	PA 6.6-FR

Mechanical tests

Free fall in accordance with IEC 60068-2-32	Free fall: 1 m
Vibration resistance in accordance with EN 60068-2-6/IEC 60068-2-6	Vibration (operation): 5g, 10...150 Hz, 2.5 h, in XYZ direction
Shock in accordance with EN 60068-2-27/IEC 60068-2-27	Shock (operation): 25g, 11 ms period, half-sine shock pulse

Environmental and real-life conditions

Ambient conditions

Degree of protection	IP20
Ambient temperature (operation)	-20 °C ... 65 °C
Ambient temperature (storage/transport)	-40 °C ... 85 °C
Altitude	≤ 5000 m (For restrictions, see the manufacturer's declaration for altitude operation)
Permissible humidity (operation)	30 % ... 95 % (non-condensing)

Approvals

CE

PSI-TERMINATOR-PB - Termination resistor



2313944

<https://www.phoenixcontact.com/us/products/2313944>

Certificate	CE-compliant
UL, USA/Canada	
Identification	508 Listed
	Class I, Div. 2, Groups A, B, C, D
UL, USA	
Identification	Class I, Zone 2, AEx nA IIC T5
UL, Canada	
Identification	Class I, Zone 2, Ex nA IIC T5 Gc X
Corrosive gas test	
Identification	ISA-S71.04-1985 G3 Harsh Group A
ATEX	
Identification	⊕ II 3 G Ex nA IIC T4 Gc X
Note	Please follow the special installation instructions in the documentation!

EMC data

Electromagnetic compatibility	Conformance with EMC Directive 2014/30/EU
Electrostatic discharge	
Standards/regulations	EN 61000-4-2
Electrostatic discharge	
Contact discharge	± 6 kV (Test Level 3)
Discharge in air	± 8 kV (Test Level 3)
Comments	Criterion B
Electromagnetic HF field	
Standards/regulations	EN 61000-4-3
Electromagnetic HF field	
Frequency range	80 MHz ... 3 GHz (Test Level 3)
Field intensity	10 V/m
Comments	Criterion A
Fast transients (burst)	
Standards/regulations	EN 61000-4-4
Fast transients (burst)	
Input	± 2.2 kV (Test Level 3)
Signal	± 2.2 kV (Test Level 3)
Comments	Criterion B
Surge current load (surge)	
Standards/regulations	EN 61000-4-5

PSI-TERMINATOR-PB - Termination resistor



2313944

<https://www.phoenixcontact.com/us/products/2313944>

Surge current load (surge)

Input	± 0.5 kV (DC supply)
Signal	± 1 kV (Data line, asymmetrical)
Comments	Criterion B

Conducted interference

Standards/regulations	EN 61000-4-6
-----------------------	--------------

Conducted interference

Frequency range	0.15 MHz ... 80 MHz
Comments	Criterion A
Voltage	10 V

Emitted interference

Standards/regulations	EN 61000-6-4
Radio interference voltage in acc. with EN 55011	EN 55011 class A industrial area of application
Emitted radio interference in acc. with EN 55011	EN 55011 class A industrial area of application

Criteria

Criterion A	Normal operating behavior within the specified limits.
Criterion B	Temporary impairment to operational behavior that is corrected by the device itself.

Standards and regulations

Free from substances that could impair the application of coating	in accordance with VW-AUDI-Seat central standard P-VW 3.10.7 57 65 0
---	--

Mounting

Mounting type	DIN rail mounting
---------------	-------------------

PSI-TERMINATOR-PB - Termination resistor

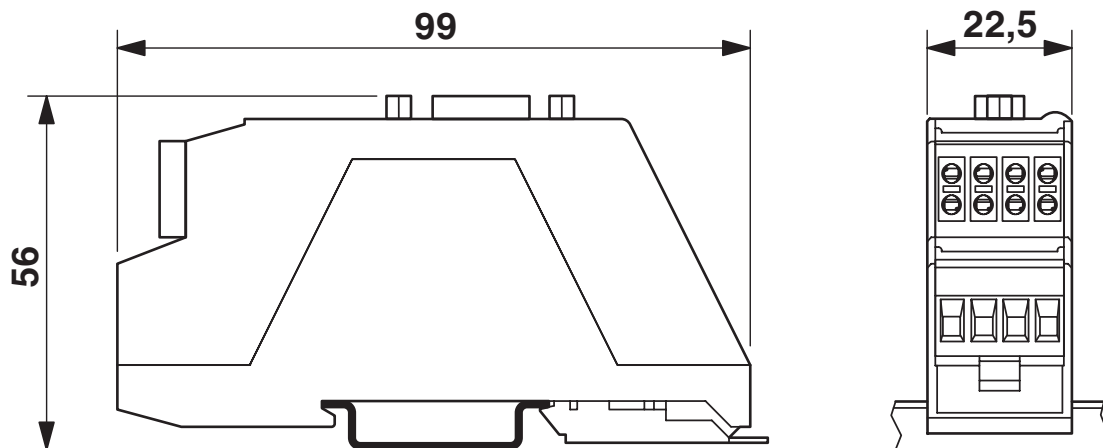


2313944

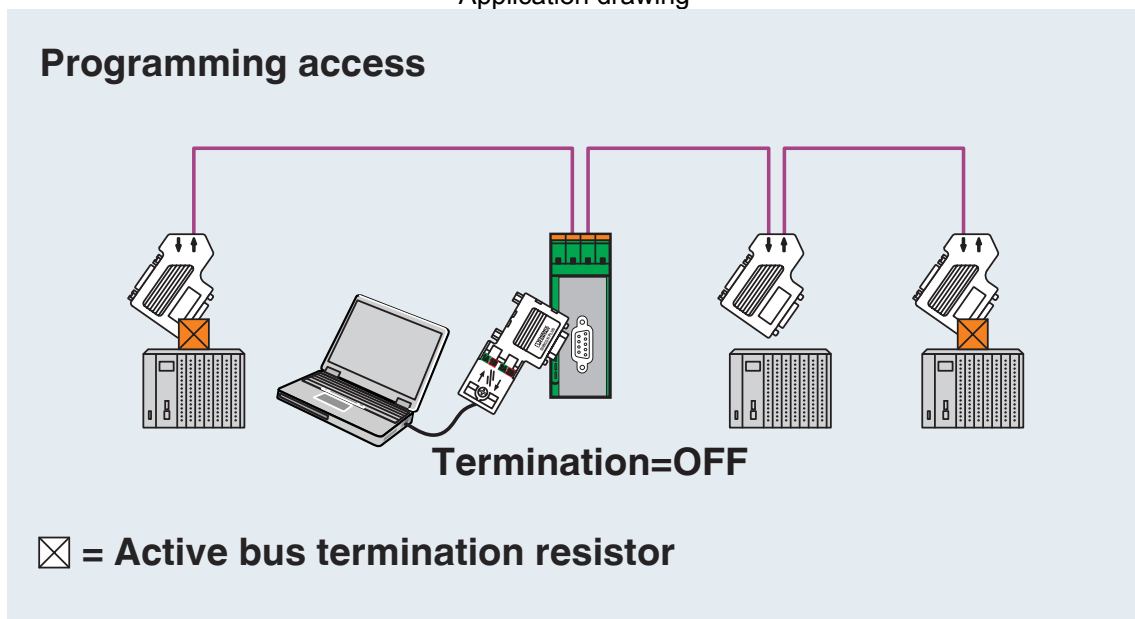
<https://www.phoenixcontact.com/us/products/2313944>

Drawings

Dimensional drawing



Application drawing

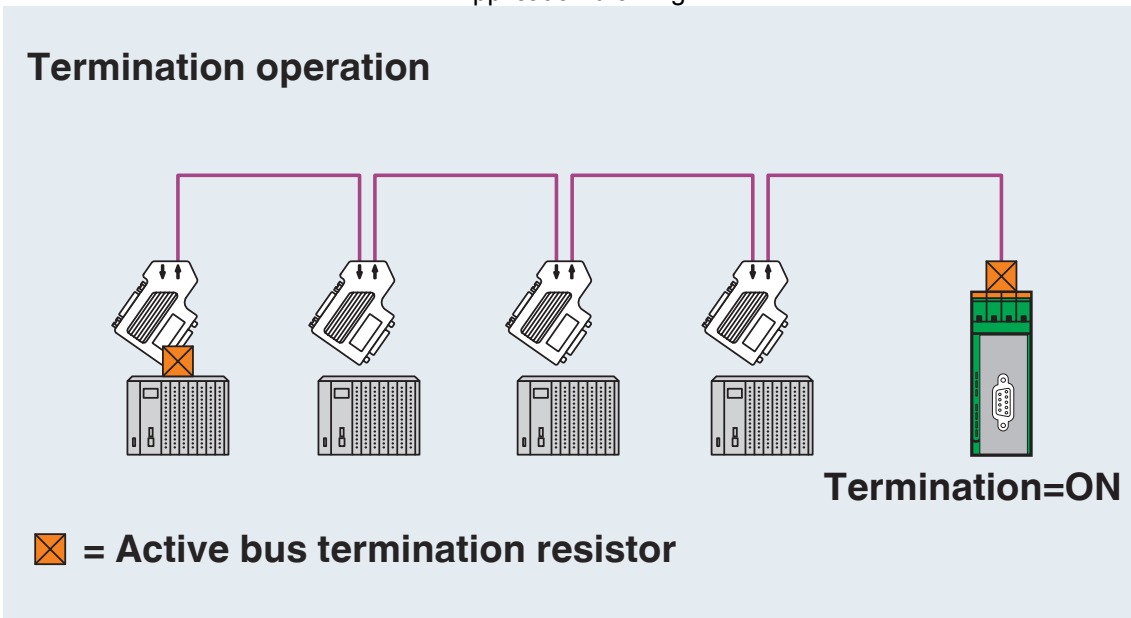


Fixed service interface in (professional) bus system

2313944

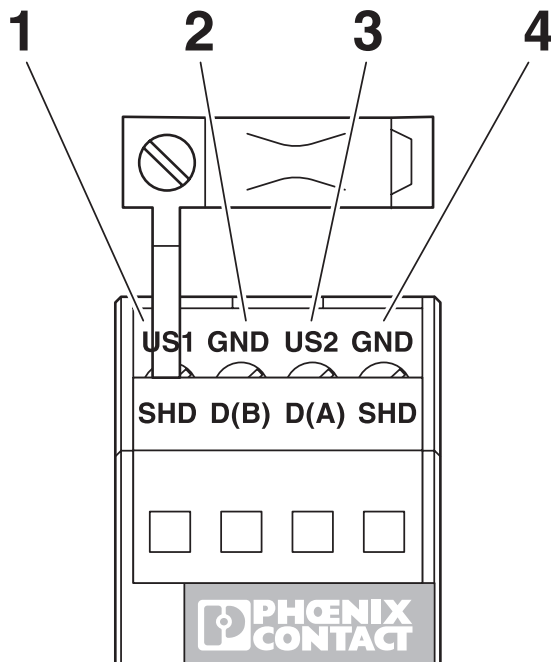
<https://www.phoenixcontact.com/us/products/2313944>

Application drawing



Permanent termination at the end of the (professional) bus system

Schematic diagram



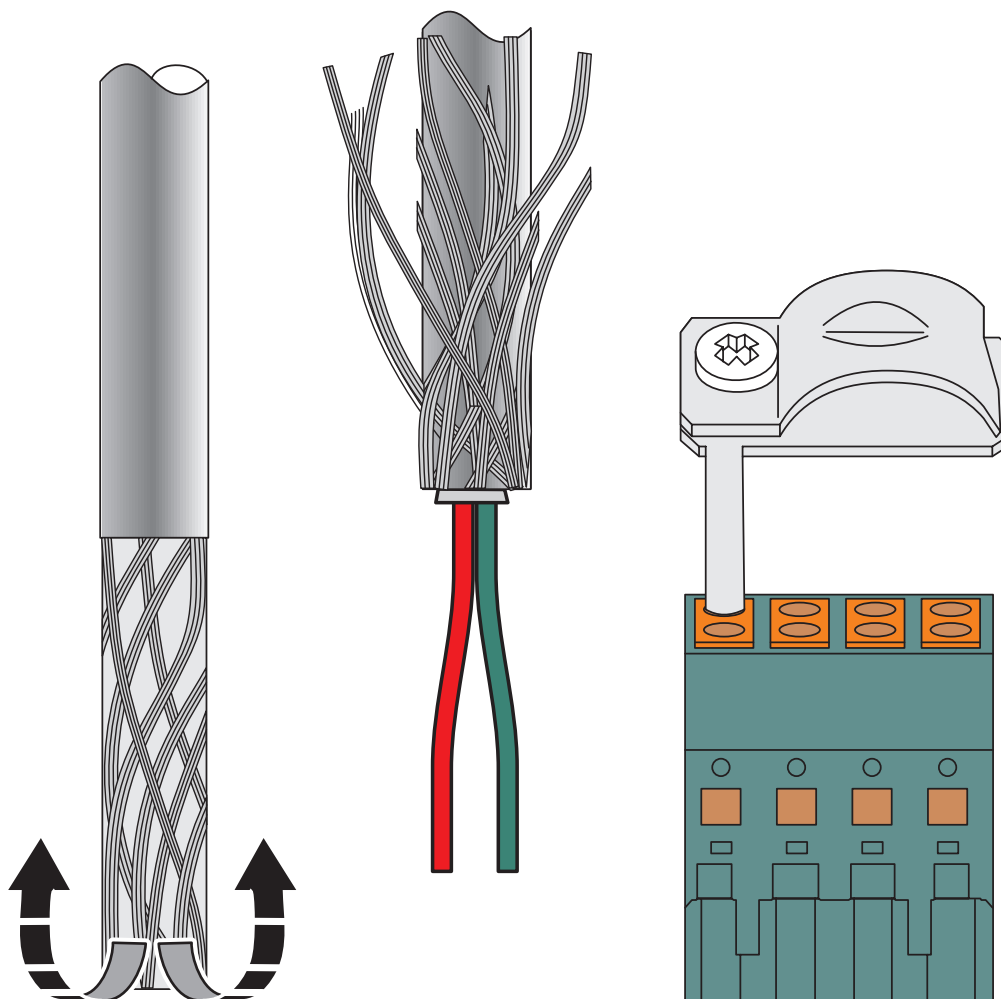
Power supply

PSI-TERMINATOR-PB - Termination resistor

2313944

<https://www.phoenixcontact.com/us/products/2313944>

Schematic diagram



Push the braided shield back

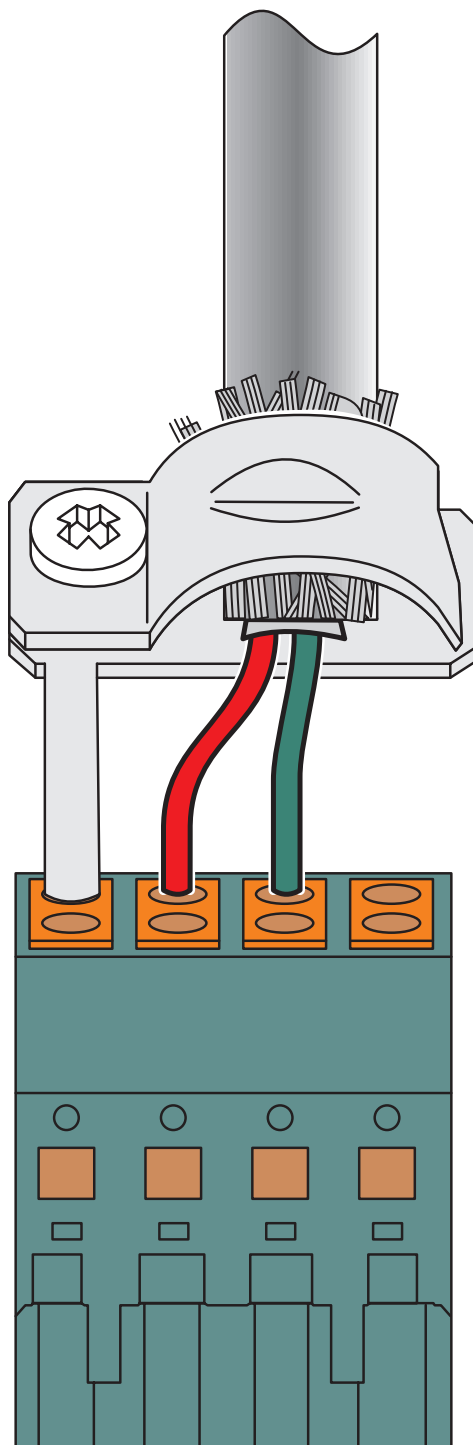
PSI-TERMINATOR-PB - Termination resistor

2313944

<https://www.phoenixcontact.com/us/products/2313944>



Schematic diagram



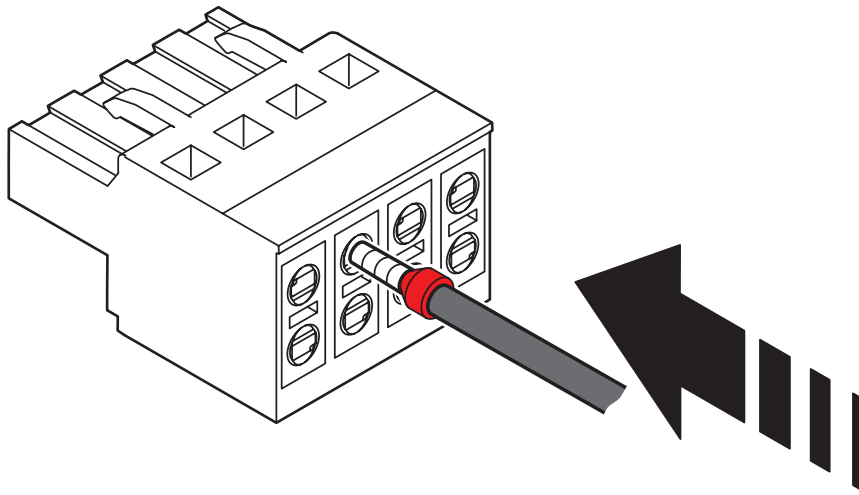
Connecting cables with a shield clamp

PSI-TERMINATOR-PB - Termination resistor

2313944

<https://www.phoenixcontact.com/us/products/2313944>

Schematic diagram



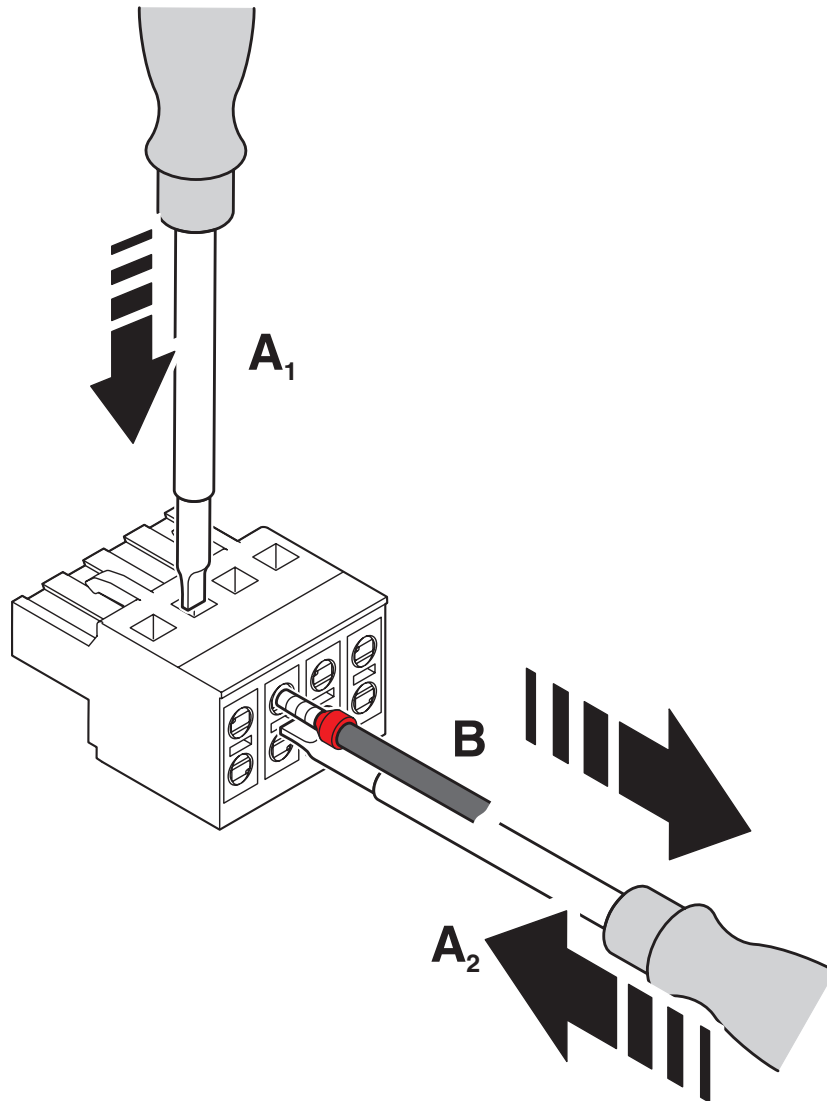
Install signal cable

PSI-TERMINATOR-PB - Termination resistor

2313944

<https://www.phoenixcontact.com/us/products/2313944>

Schematic diagram



Deinstall signal cable

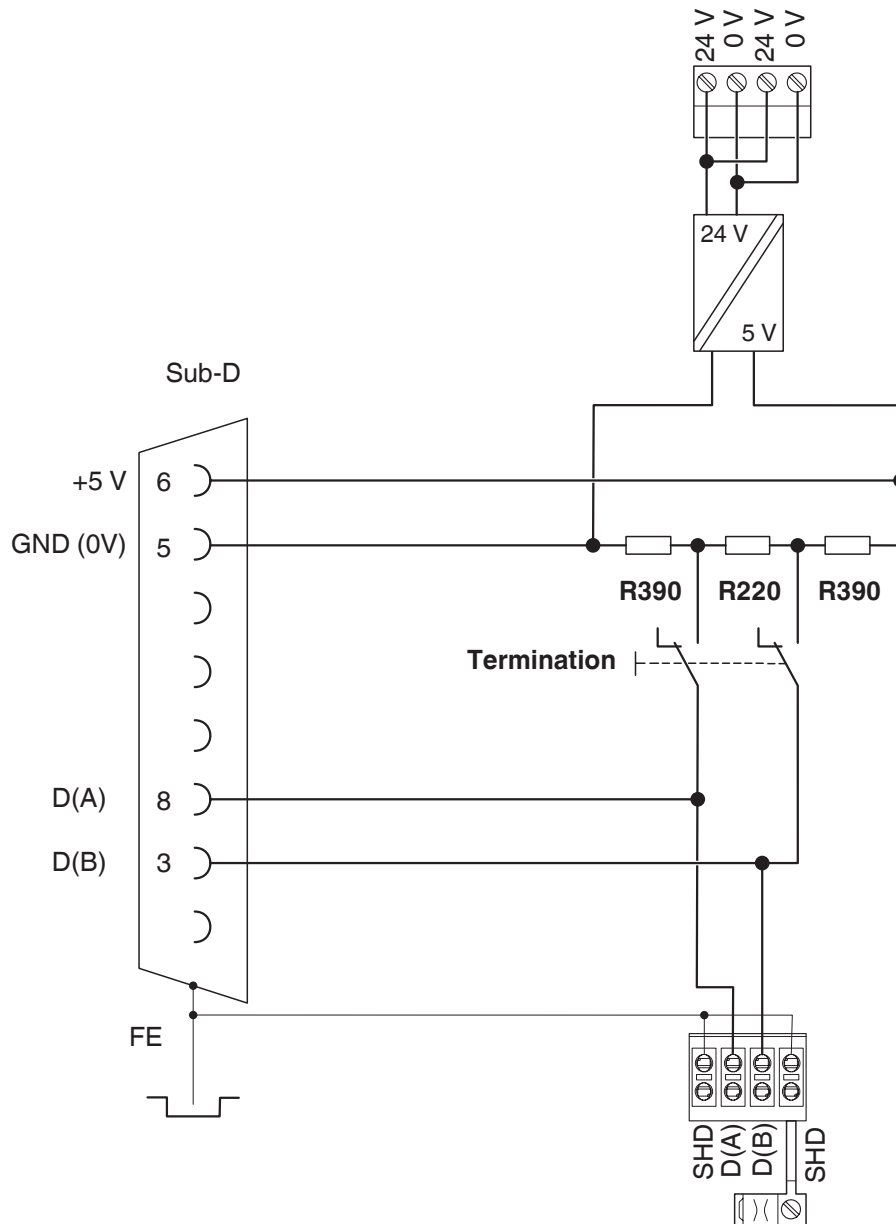
PSI-TERMINATOR-PB - Termination resistor



2313944

<https://www.phoenixcontact.com/us/products/2313944>

Block diagram



PSI-TERMINATOR-PB - Termination resistor



2313944

<https://www.phoenixcontact.com/us/products/2313944>

Classifications

UNSPSC

UNSPSC 21.0	32121617
-------------	----------

PSI-TERMINATOR-PB - Termination resistor



2313944

<https://www.phoenixcontact.com/us/products/2313944>

Environmental product compliance

EU RoHS

Fulfills EU RoHS substance requirements	Yes
Exemption	6(c), 7(a), 7(c)-I

China RoHS

Environment friendly use period (EFUP)	EFUP-50
	An article-related China RoHS declaration table can be found in the download area for the respective article under "Manufacturer declaration". For all articles with EFUP-E, no China RoHS declaration table issued and required.

EU REACH SVHC

REACH candidate substance (CAS No.)	Lead(CAS: 7439-92-1)
-------------------------------------	----------------------

Phoenix Contact 2026 © - all rights reserved
<https://www.phoenixcontact.com>

Phoenix Contact USA
586 Fulling Mill Road
Middletown, PA 17057, United States
(+717) 944-1300
info@phoenixcon.com