

PSI-MOS-CNET/FO 850 T - FO converters



2313724

<https://www.phoenixcontact.com/us/products/2313724>

Please be informed that the data shown in this PDF document is generated from our online catalog. Please find the complete data in the user documentation. Our general terms of use for downloads are valid.



Fiber optic converter with integrated optical diagnostics, for ControlNet, 5 Mbps data rate, T-coupler, interfaces: 1 x CNET, 1 x Alarm, 2 x FO (B-FOC), 850 nm, for PCF/fiberglass (multi-mode)

Your advantages

- Approved for use in zone 2
- Integrated optical diagnostics for continuous monitoring of FO paths
- Floating switch contact for advance warning of critical FO paths
- Intrinsically safe fiber optic interface (Ex op is) for direct connection to devices in zone 1
- Supply voltage and data signals routed through the DIN rail connectors
- Can be combined with the PSI copper repeater in a modular way using DIN rail connectors
- Connections can be plugged in via a COMBICON screw terminal block
- High-quality electrical isolation between all interfaces (ControlNet // fiber optic ports // power supply // DIN rail connector)
- Redundant power supply possible by means of optional system power supply unit

Commercial data

Item number	2313724
Packing unit	1 pc
Note	Made to order (non-returnable)
Sales key	DN06
Product key	DNC214
GTIN	4046356513838
Weight per piece (including packing)	267.5 g
Weight per piece (excluding packing)	267.5 g
Customs tariff number	85176200
Country of origin	DE

Technical data

Notes

Utilization restriction

EMC note	EMC: class A product, see manufacturer's declaration in the download area
----------	---

Product properties

Product type	Media converter
MTTF	689 Years (SN 29500 standard, temperature 25°C, operating cycle 21%)
	287 Years (SN 29500 standard, temperature 40°C, operating cycle 34.25%)
	118 Years (SN 29500 standard, temperature 40°C, operating cycle 100%)
MTBF	169 Years (Telcordia standard, 25°C temperature, 21% operating cycle (5 days a week, 8 hours a day))
	25 Years (Telcordia standard, 40°C temperature, 34.25% operating cycle (5 days a week, 12 hours a day))

Electrical properties

Electrical isolation	VCC // ControlNet™
Maximum power dissipation for nominal condition	2.4 W
Test voltage data interface/power supply	1.5 kV _{rms} (50 Hz, 1 min.)

Supply

Supply voltage range	18 V DC ... 30 V DC (via pluggable COMBICON screw terminal block)
Nominal supply voltage	24 V DC
Typical current consumption	100 mA (24 V DC)
Max. current consumption	150 mA
	≤ 2 A (For operation in a joining station, via the DIN rail connector)

Function

Status and diagnostic indicators	Port A (module status indicator), FO signal (fiber optic signal quality), ERR (broken fiber, fiber optic)
----------------------------------	---

Output data

Switching

Output name	Relay output
Number of outputs	1
Contact switching type	N/O contact
Minimum switching voltage	18 V DC
Maximum switching voltage	30 V DC
Limiting continuous current	500 mA

Connection data

Supply

Tightening torque	0.56 Nm ... 0.79 Nm
-------------------	---------------------

Interfaces

Bit distortion, input	± 35 %
Bit distortion, output	< 6.25 %
Signal	ControlNet™

Data: optical FO

Transmit capacity, minimum	-17.9 dBm (50/125 µm)
	-14.1 dBm (62,5/125 µm)
	-5.1 dBm (200/230 µm)
Transmission length incl. 3 dB system reserve	1200 m (F-K 200/230 8 dB/km with quick mounting connector)
	3100 m (with F-G 50/125 2.5 dB/km)
	3000 m (with F-G 62,5/125 3.0 dB/km)
Transmission protocol	Protocol transparent for ControlNet™ interface
Connection method	B-FOC (ST®)
Wavelength	850 nm
Minimum receiver sensitivity	-32.5 dBm (50/125 µm)
	-32.5 dBm (62,5/125 µm)
	-32.1 dBm (200/230 µm)
Transmission medium	PCF fiber
	Multi-mode fiberglass

Data: ControlNet interface, in accordance with EN 50170

Serial transmission speed	5 Mbps
Connection method	BNC 75 Ω
Transmission length	≤ 1000 m
Conductor cross-section flexible max.	2.5 mm²
Conductor cross-section flexible min.	0.2 mm²
Conductor cross-section, rigid max.	2.5 mm²
Conductor cross-section, rigid min.	0.2 mm²
Conductor cross-section AWG max.	14
Conductor cross-section AWG min.	24
Transmission medium	Copper
File format/coding	Serial asynchronous UART/NRZ

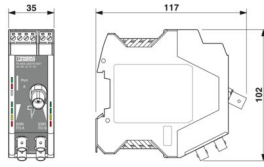
Dimensions

PSI-MOS-CNET/FO 850 T - FO converters



2313724

<https://www.phoenixcontact.com/us/products/2313724>

Dimensional drawing	
Width	35 mm
Height	105 mm
Depth	117 mm

Material specifications

Color (Housing)	green (RAL 6021)
Material (Housing)	PA 6.6-FR

Cable/line

FO cable

Fiber types	200/230 µm
	50/125 µm
	62.5/125 µm
	PCF fiber
	Fiberglass

Mechanical tests

Vibration resistance in accordance with EN 60068-2-6/IEC 60068-2-6	Vibration (operation): 5g, 10...150 Hz, 2.5 h, in XYZ direction
Shock in accordance with EN 60068-2-27/IEC 60068-2-27	Shock (operation): 15g, 11 ms period, half-sine shock pulse

Environmental and real-life conditions

Ambient conditions

Degree of protection	IP20
Ambient temperature (operation)	-20 °C ... 60 °C
Ambient temperature (storage/transport)	-40 °C ... 85 °C
Altitude	≤ 5000 m (For restrictions, see the manufacturer's declaration for altitude operation)
Permissible humidity (operation)	30 % ... 95 % (non-condensing)

Approvals

CE

Certificate	CE-compliant
-------------	--------------

ATEX

Identification	⊕ II 3 G Ex nA IIC T4 Gc X
Note	Please follow the special installation instructions in the documentation!

PSI-MOS-CNET/FO 850 T - FO converters



2313724

<https://www.phoenixcontact.com/us/products/2313724>

ATEX, FO interface

Identification	Ⓜ II (2) G [Ex op is Gb] IIC Ⓜ II (2) D [Ex op is Db] IIIC
Certificate	PTB 06 ATEX 2042 U

UL, USA/Canada

Identification	508 Listed
----------------	------------

EMC data

Electromagnetic compatibility	Conformance with EMC Directive 2014/30/EU
Noise immunity	EN 61000-6-2

Noise emission

Standards/regulations	EN 55011
-----------------------	----------

Electrostatic discharge

Standards/regulations	EN 61000-4-2
-----------------------	--------------

Electrostatic discharge

Contact discharge	± 6 kV
Discharge in air	± 8 kV
Comments	Criterion B

Electromagnetic HF field

Standards/regulations	EN 61000-4-3
-----------------------	--------------

Electromagnetic HF field

Field intensity	10 V/m
Comments	Criterion A

Fast transients (burst)

Standards/regulations	EN 61000-4-4
-----------------------	--------------

Fast transients (burst)

Input	± 2 kV
Signal	± 2 kV
Comments	Criterion B

Surge current load (surge)

Standards/regulations	EN 61000-4-5
-----------------------	--------------

Surge current load (surge)

Input	± 0.5 kV
Signal	± 1 kV
Comments	Criterion B

Conducted interference

Standards/regulations	EN 61000-4-6
-----------------------	--------------

PSI-MOS-CNET/FO 850 T - FO converters



2313724

<https://www.phoenixcontact.com/us/products/2313724>

Conducted interference

Comments	Criterion A
Voltage	10 V

Emitted interference

Standards/regulations	EN 55011
Comments	Class A, industrial applications

Criteria

Criterion A	Normal operating behavior within the specified limits.
Criterion B	Temporary impairment to operational behavior that is corrected by the device itself.

Standards and regulations

Free from substances that could impair the application of coating	in accordance with VW-AUDI-Seat central standard P-VW 3.10.7 57 65 0
---	--

Mounting

Mounting type	DIN rail mounting
---------------	-------------------

PSI-MOS-CNET/FO 850 T - FO converters

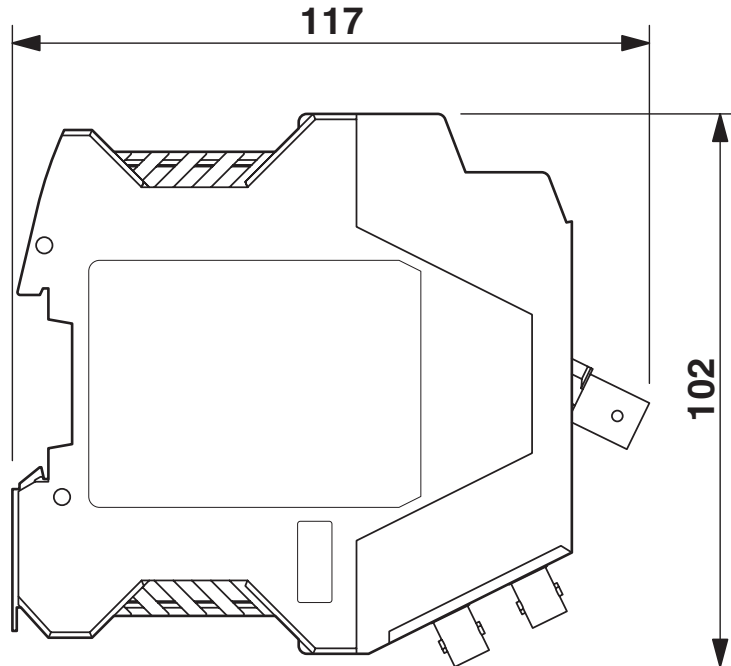
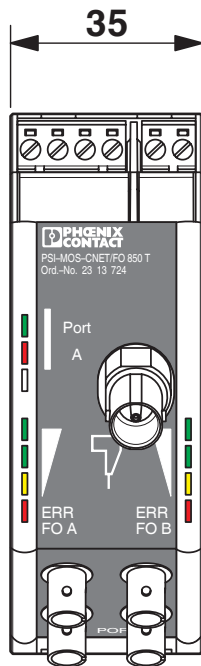


2313724

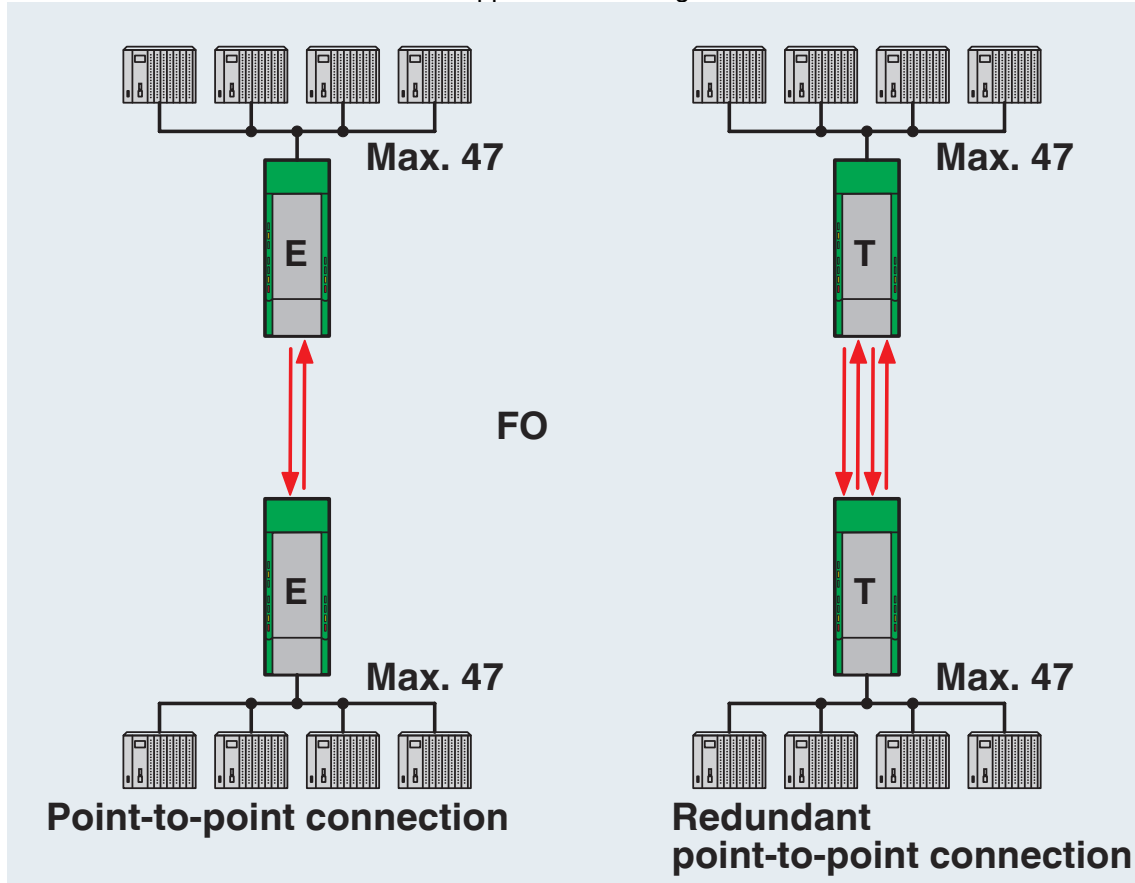
<https://www.phoenixcontact.com/us/products/2313724>

Drawings

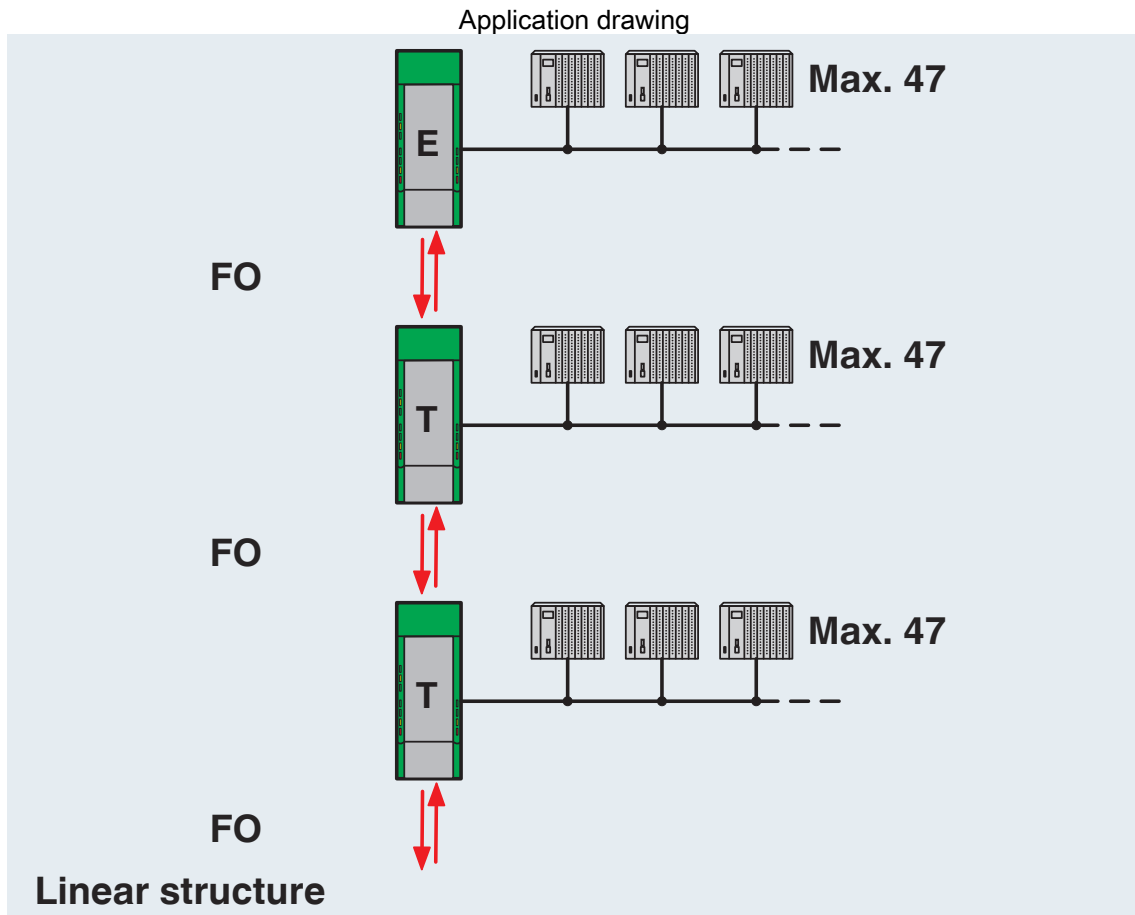
Dimensional drawing



Application drawing



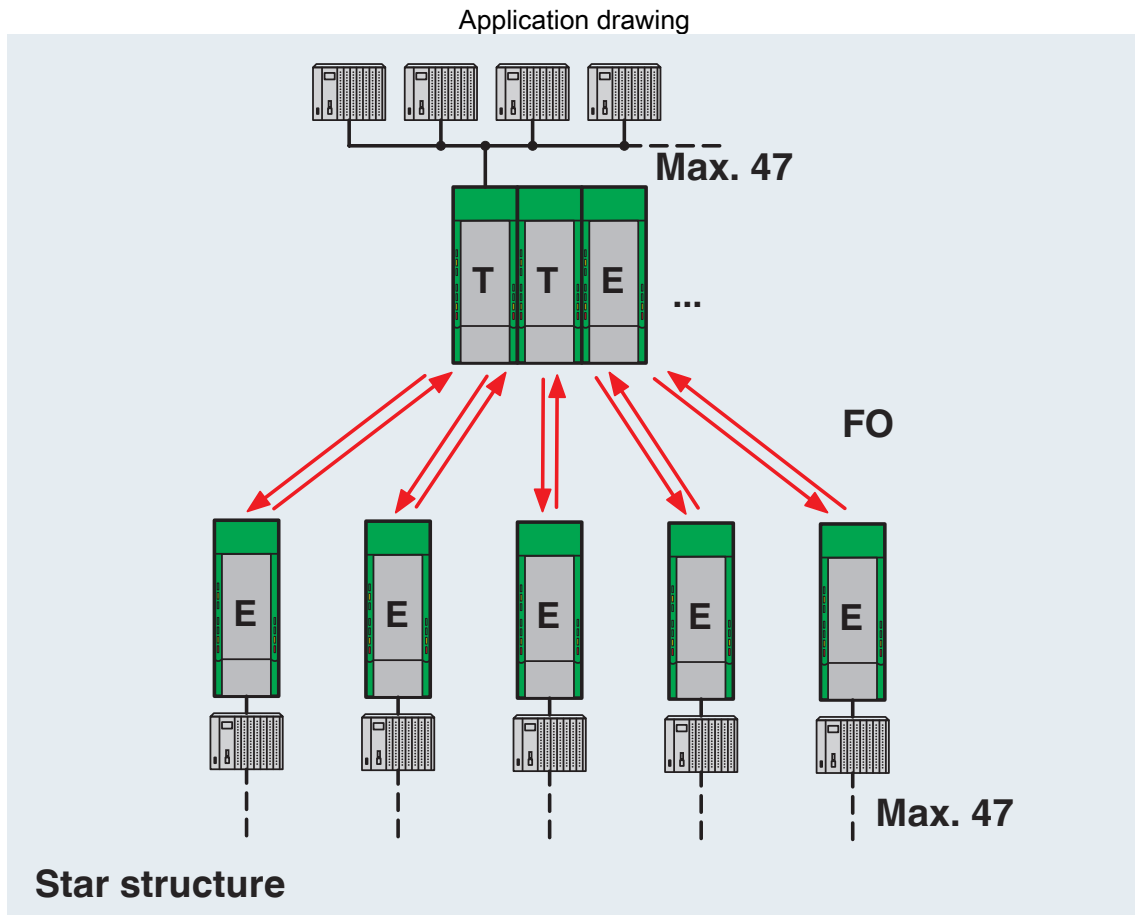
Point-to-point connection



Line structure

2313724

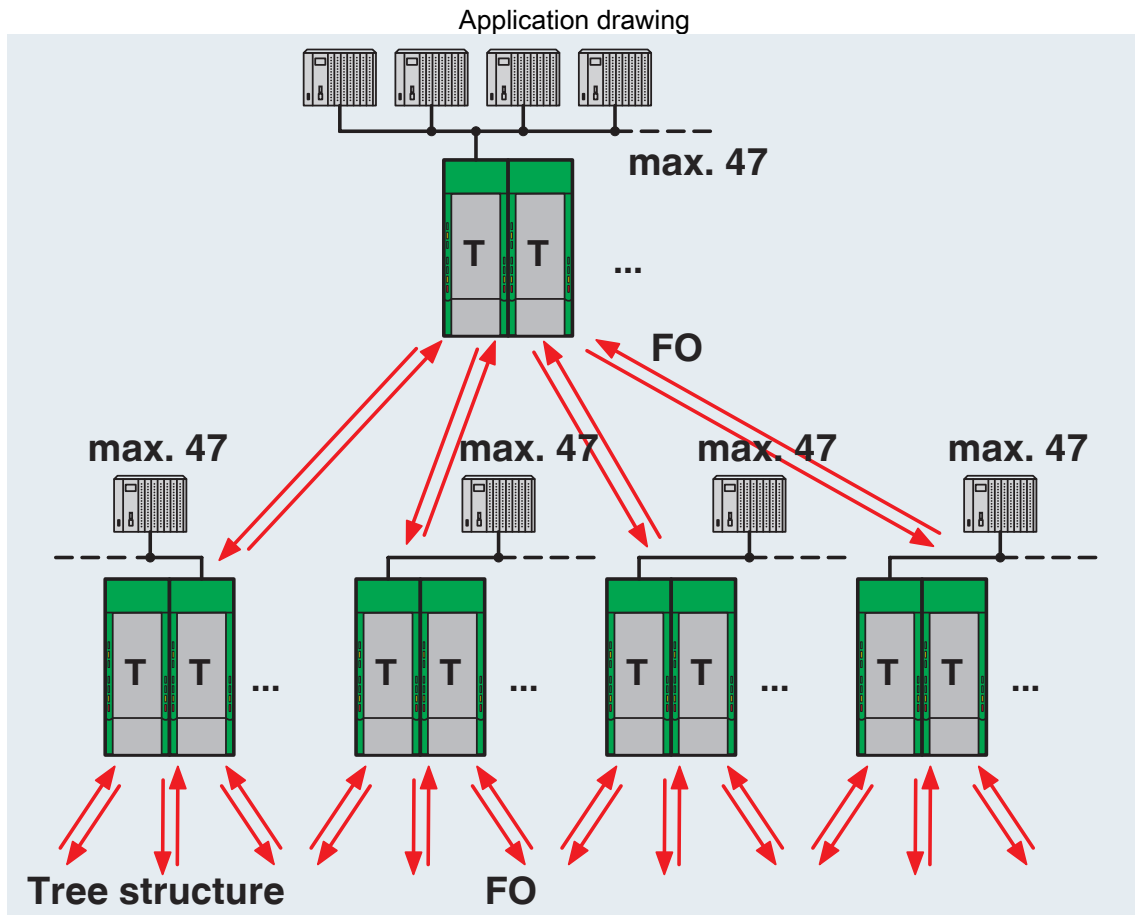
<https://www.phoenixcontact.com/us/products/2313724>



Star structure

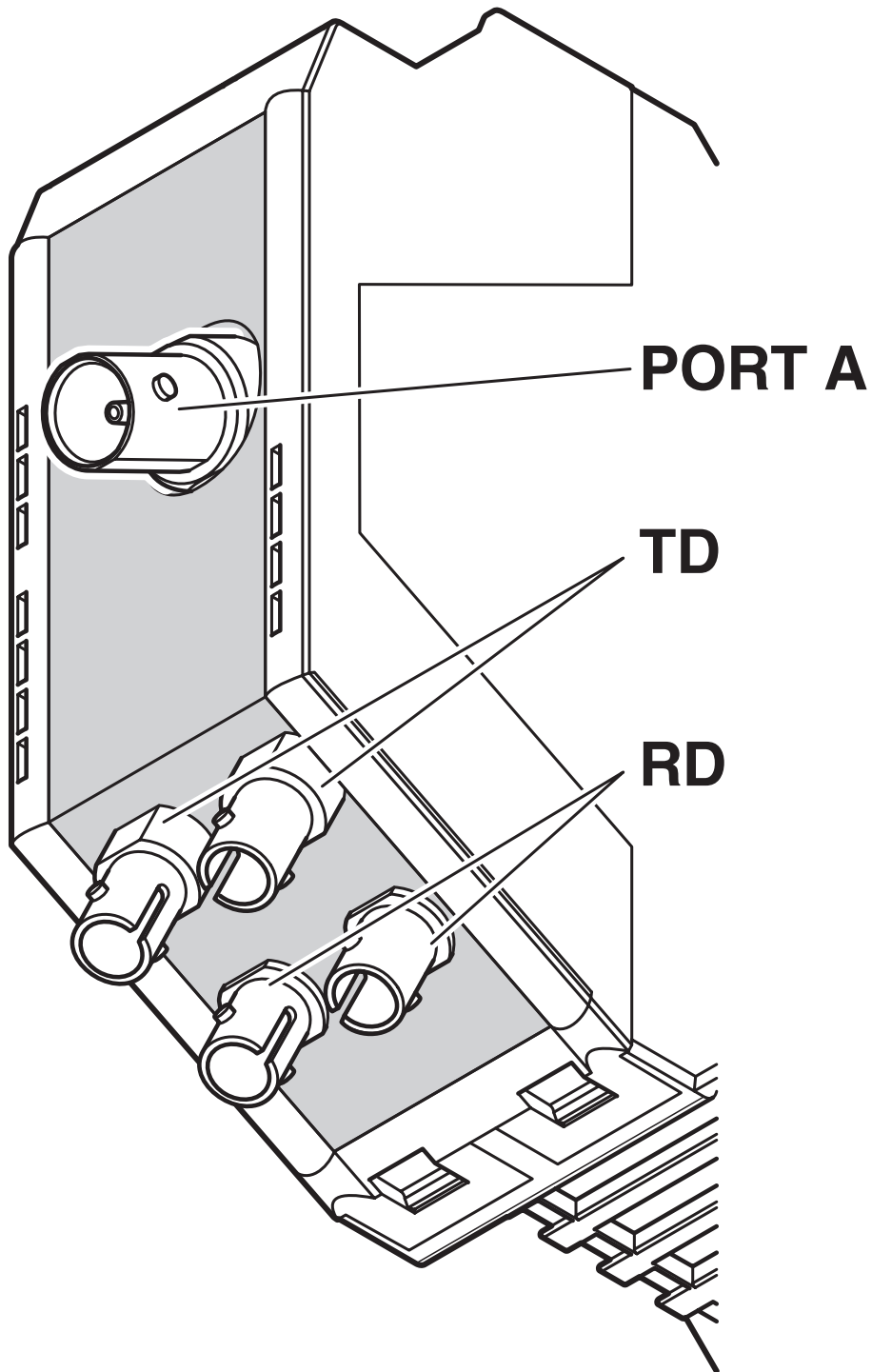
2313724

<https://www.phoenixcontact.com/us/products/2313724>

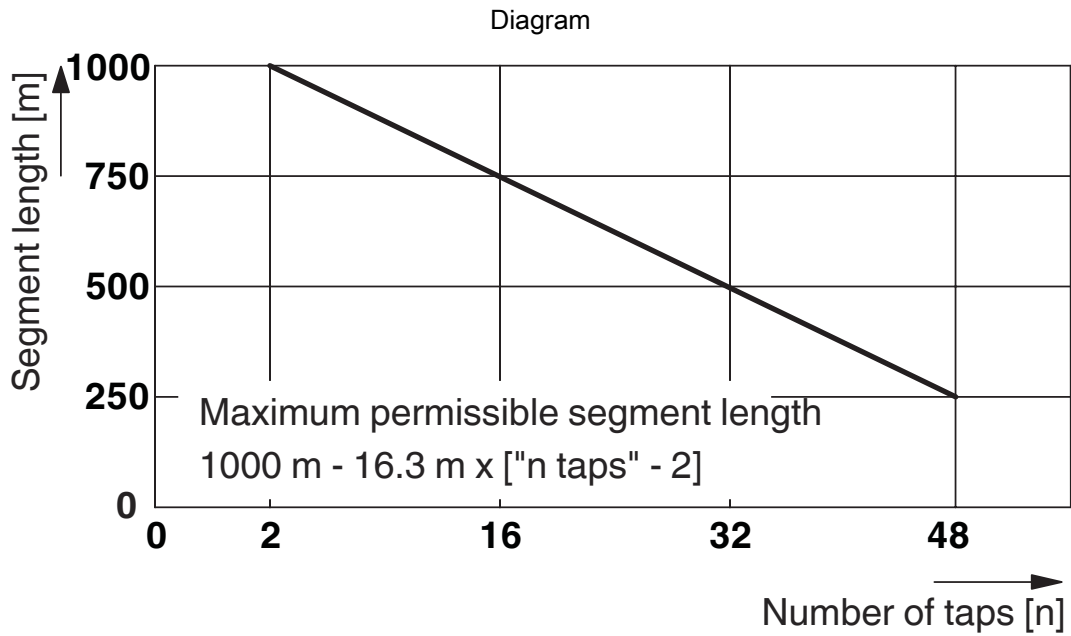


Tree structure

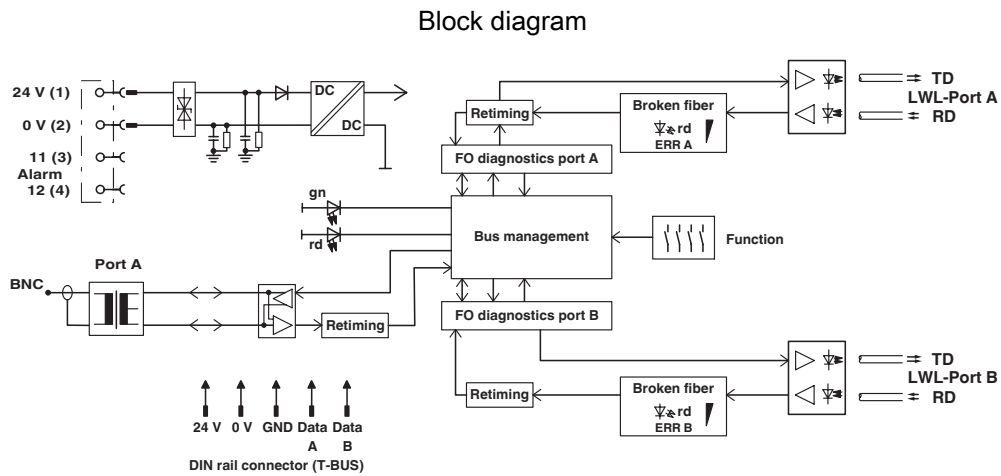
Schematic diagram



Device connections



Segment length is dependent on number of taps used



2313724

<https://www.phoenixcontact.com/us/products/2313724>

Environmental product compliance

China RoHS

Environment friendly use period (EFUP)	EFUP-50
	An article-related China RoHS declaration table can be found in the download area for the respective article under "Manufacturer declaration". For all articles with EFUP-E, no China RoHS declaration table issued and required.

EU REACH SVHC

REACH candidate substance (CAS No.)	No substance above 0.1 wt%
-------------------------------------	----------------------------

Phoenix Contact 2026 © - all rights reserved
<https://www.phoenixcontact.com>

Phoenix Contact USA
586 Fulling Mill Road
Middletown, PA 17057, United States
(+717) 944-1300
info@phoenixcon.com