

# SUBCON-PLUS-PROFIB/90/SC - D-SUB bus connector



2313698

<https://www.phoenixcontact.com/us/products/2313698>

Please be informed that the data shown in this PDF document is generated from our online catalog. Please find the complete data in the user documentation. Our general terms of use for downloads are valid.



D-SUB connector, 9-pos., pin, 90° cable outlet, bus system: PROFIBUS DP up to 12 Mbps, termination resistor can be switched on via slide switch, pin assignment: 3, 5, 6, 8; screw connection terminal blocks

## Product description

The D-SUB series, SUBCON-PLUS-PROFIB/... was specially designed for use in PROFIBUS systems up to 12 Mbps. Under field conditions, it allows convenient and fast connection of the incoming and outgoing bus cable. The terminating resistor is already integrated in all versions. It can be connected externally by means of a slide switch. At the same time, the outgoing bus segment is switched off. This makes it easy to start up segment by segment while incorrect terminations are avoided.

## Your advantages

- Suitable for all common Fast Connect PROFIBUS cables and RS-485 bus lines



## Commercial data

Item number	2313698
Packing unit	1 pc
Minimum order quantity	1 pc
Sales key	DN10
Product key	DNC531
GTIN	4046356514163
Weight per piece (including packing)	34.66 g
Weight per piece (excluding packing)	36 g
Customs tariff number	85366990
Country of origin	DE

# SUBCON-PLUS-PROFIB/90/SC - D-SUB bus connector



2313698

<https://www.phoenixcontact.com/us/products/2313698>

## Technical data

### Notes

#### Note on application

Note on application	Only for industrial use
---------------------	-------------------------

#### Utilization restriction

CCCex note	Use in potentially explosive areas is not permitted in China.
------------	---

### Product properties

Product type	Data plug
MTTF	6706 Years (SN 29500 standard, temperature 25°C, operating cycle 21%)
	1817 Years (SN 29500 standard, temperature 40°C, operating cycle 34.25%)
	155 Years (SN 29500 standard, temperature 40°C, operating cycle 100%)
Pin assignment	3, 5, 6, 8

### Electrical properties

Test voltage	50 V
Maximum power dissipation for nominal condition	0.025 W
Nominal voltage $U_N$	5 V
Nominal current $I_N$	100 mA

### Connection data

Tightening torque	... 1.2 Nm
-------------------	------------

#### D-SUB connection

Connection method	D-SUB connector
-------------------	-----------------

#### PCB connection

Connection method	Screw connection
Stripping length	5 mm
Conductor cross-section, rigid min.	0.14 mm <sup>2</sup>
Conductor cross-section, rigid max.	1.5 mm <sup>2</sup>
Conductor cross-section flexible min.	0.14 mm <sup>2</sup>
Conductor cross-section flexible max.	1 mm <sup>2</sup>
Single-wire/terminal point, rigid AWG min.	26
Single-wire/terminal point, rigid AWG max.	16
Min. AWG conductor cross-section, flexible	26
Max. AWG conductor cross-section, flexible	18
Tightening torque	0.22 Nm ... 0.25 Nm

### Interfaces

# SUBCON-PLUS-PROFIB/90/SC - D-SUB bus connector

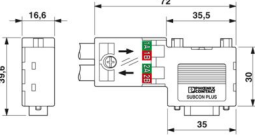


2313698

<https://www.phoenixcontact.com/us/products/2313698>

Bus system	PROFIBUS DP
Signal	PROFIBUS

## Dimensions

Dimensional drawing	
Width	16.8 mm
Height	34.8 mm
Length	72 mm

## Material specifications

Color (Housing)	white aluminium (RAL 9006)
Material (Housing)	ABS (metal-plated)

## Cable/line

External cable diameter	7.6 mm ... 8.4 mm (Incoming bus line)
-------------------------	---------------------------------------

## Mechanical properties

### Mechanical data

Insertion/withdrawal cycles	> 200
Fixing screws	4-40 UNC
Tightening torque	0.4 Nm

## Mechanical tests

Vibration resistance in accordance with EN 60068-2-6/IEC 60068-2-6	Vibration (operation): 5g, 10...150 Hz, 2.5 h, in XYZ direction
Shock in accordance with EN 60068-2-27/IEC 60068-2-27	Shock (operation): 15g, 11 ms period, half-sine shock pulse

## Environmental and real-life conditions

### Ambient conditions

Degree of protection	IP40
Ambient temperature (operation)	-20 °C ... 75 °C
Ambient temperature (storage/transport)	-25 °C ... 80 °C
Altitude	≤ 5000 m (For restrictions, see the manufacturer's declaration for altitude operation)
Permissible humidity (operation)	10 % ... 95 % (non-condensing)
Permissible humidity (storage/transport)	5 % ... 95 % (non-condensing)

## Approvals

ATEX

# SUBCON-PLUS-PROFIB/90/SC - D-SUB bus connector



2313698

<https://www.phoenixcontact.com/us/products/2313698>

Identification	Ⓜ II 3 G Ex ec IIC T4 Gc
Certificate	PxCIF15ATEX2744348X
Note	Please follow the special installation instructions in the documentation!

## UKEX

Identification	Ⓜ II 3 G Ex ec IIC T4 Gc
Certificate	PxCIMA22UKEX2744348X

## Corrosive gas test

Identification	ISA-S71.04-1985 G3 Harsh Group A
----------------	----------------------------------

## Standards and regulations

Free from substances that could impair the application of coating	VDMA 24364:2018-05
---	--------------------

# SUBCON-PLUS-PROFIB/90/SC - D-SUB bus connector

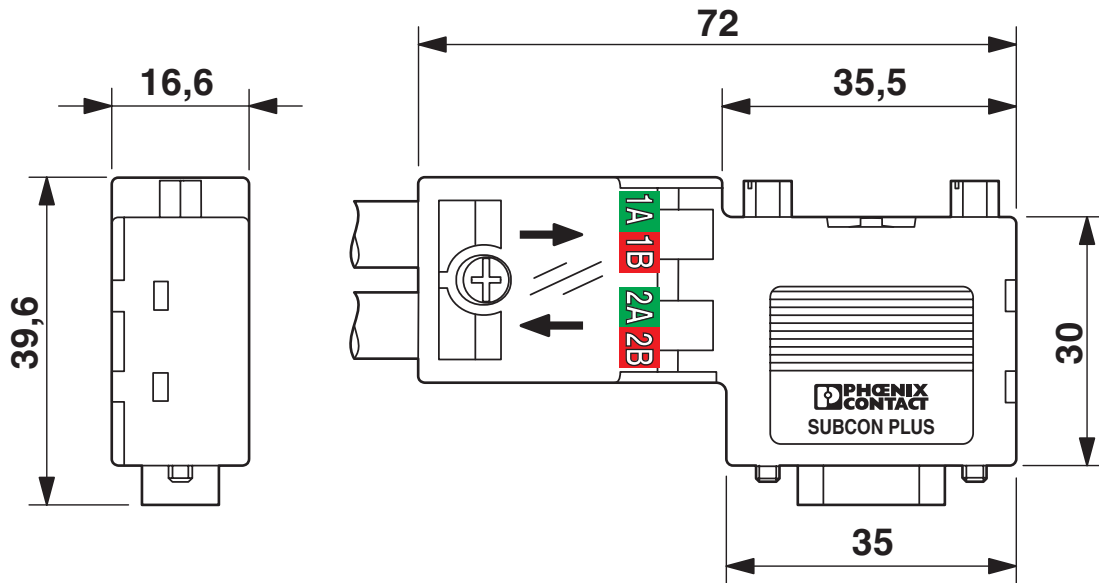


2313698

<https://www.phoenixcontact.com/us/products/2313698>

## Drawings

Dimensional drawing



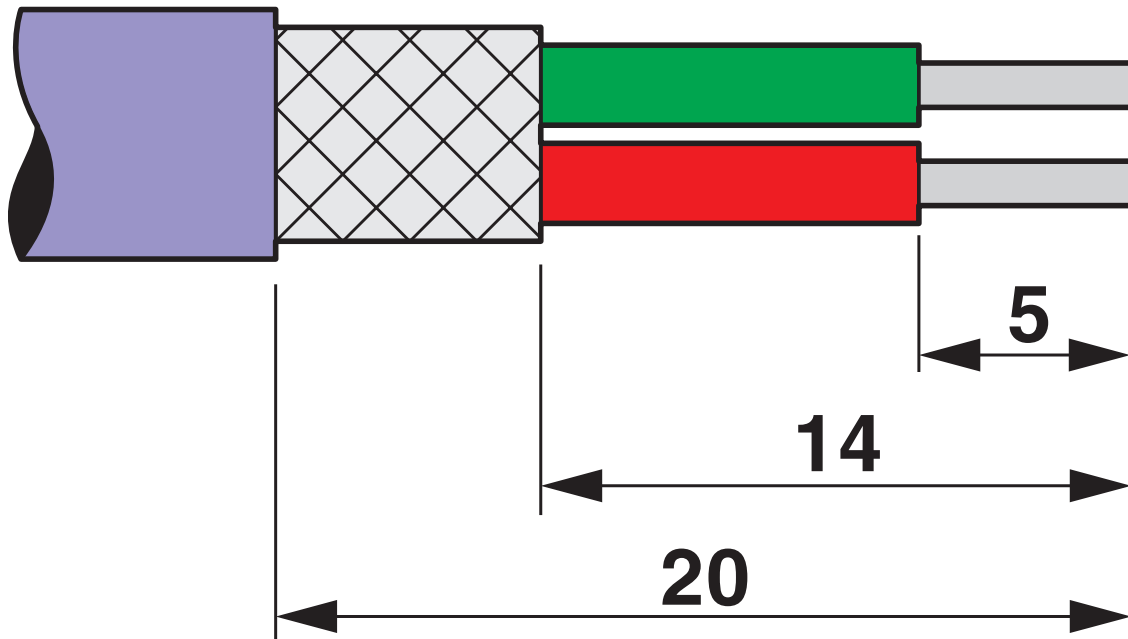
Dimensional drawing

# SUBCON-PLUS-PROFIB/90/SC - D-SUB bus connector

2313698

<https://www.phoenixcontact.com/us/products/2313698>

Schematic diagram



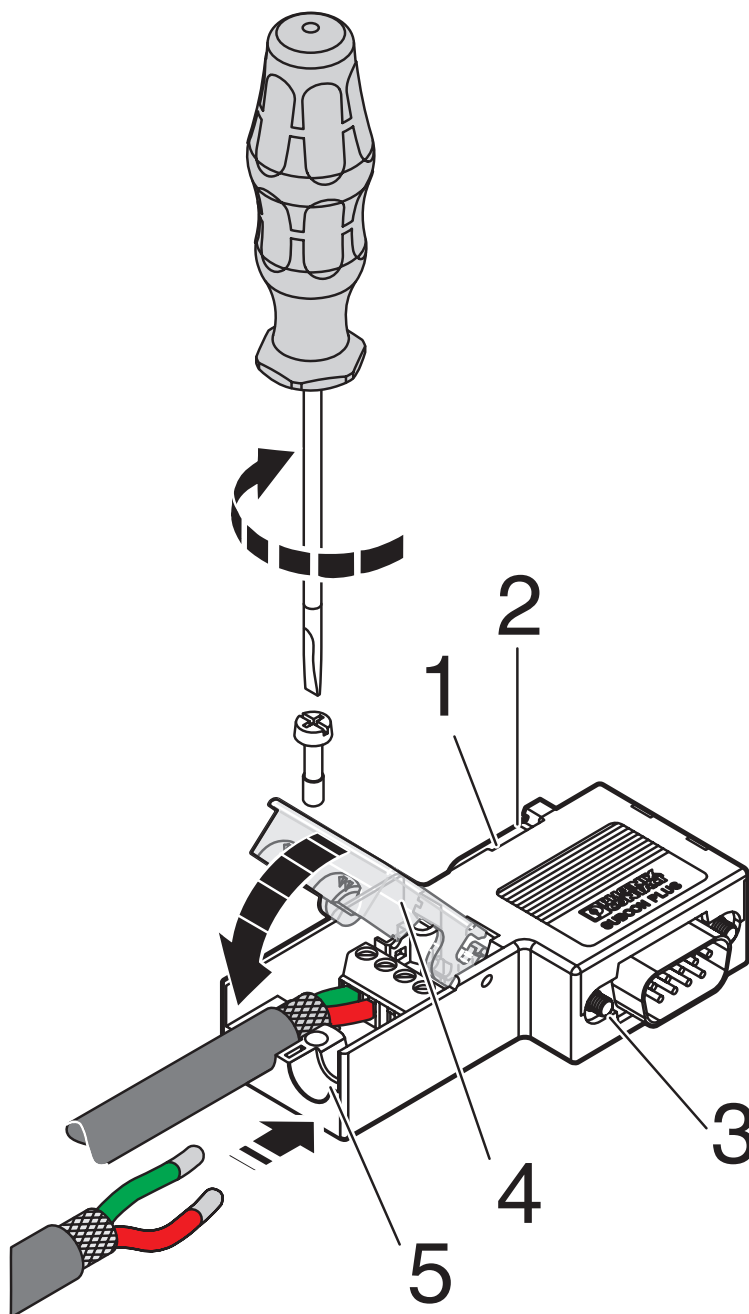
Stripping specifications

# SUBCON-PLUS-PROFIB/90/SC - D-SUB bus connector

2313698

<https://www.phoenixcontact.com/us/products/2313698>

Schematic diagram



Connecting cables

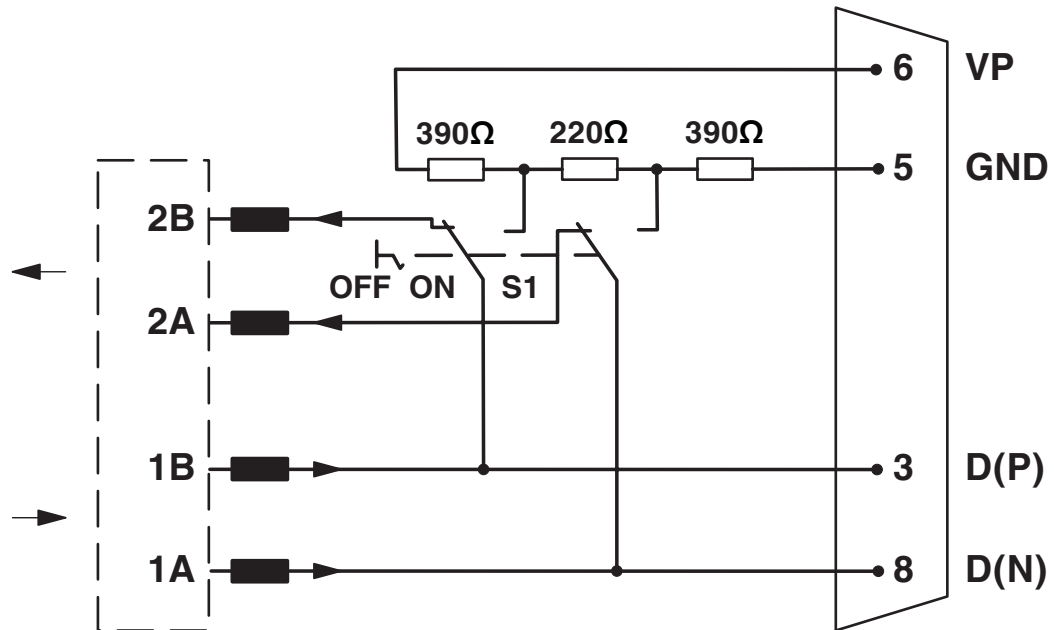
# SUBCON-PLUS-PROFIB/90/SC - D-SUB bus connector



2313698

<https://www.phoenixcontact.com/us/products/2313698>

Circuit diagram



Functional diagram of the connector range  
SUBCON-PLUS-PROFIB/...

# SUBCON-PLUS-PROFIB/90/SC - D-SUB bus connector



2313698

<https://www.phoenixcontact.com/us/products/2313698>

## Approvals

To download certificates, visit the product detail page: <https://www.phoenixcontact.com/us/products/2313698>



**cUL Recognized**

Approval ID: E238705



**UL Recognized**

Approval ID: E238705



**CSA**

Approval ID: 2437602

# SUBCON-PLUS-PROFIB/90/SC - D-SUB bus connector



2313698

<https://www.phoenixcontact.com/us/products/2313698>

## Classifications

### ECLASS

ECLASS-13.0	27440302
ECLASS-15.0	27440322

### ETIM

ETIM 10.0	EC001132
-----------	----------

### UNSPSC

UNSPSC 21.0	39121400
-------------	----------

# SUBCON-PLUS-PROFIB/90/SC - D-SUB bus connector



2313698

<https://www.phoenixcontact.com/us/products/2313698>

## Environmental product compliance

### EU RoHS

Fulfills EU RoHS substance requirements	Yes
Exemption	6(c)

### China RoHS

Environment friendly use period (EFUP)	EFUP-50
	An article-related China RoHS declaration table can be found in the download area for the respective article under "Manufacturer declaration". For all articles with EFUP-E, no China RoHS declaration table issued and required.

### EU REACH SVHC

REACH candidate substance (CAS No.)	Lead(CAS: 7439-92-1)
SCIP	e341ecff-3ee9-41a8-98c3-d23b10b8078c

### EF3.1 Climate Change

CO2e kg	6.993 kg CO2e
---------	---------------

Phoenix Contact 2026 © - all rights reserved  
<https://www.phoenixcontact.com>

Phoenix Contact USA  
586 Fulling Mill Road  
Middletown, PA 17057, United States  
(+717) 944-1300  
[info@phoenixcon.com](mailto:info@phoenixcon.com)