

PSI-MODEM-SMS-REL/6ADI/4DO/DC - Signaling system



2313520

<https://www.phoenixcontact.com/us/products/2313520>

Please be informed that the data shown in this PDF document is generated from our online catalog. Please find the complete data in the user documentation. Our general terms of use for downloads are valid.



SMS remote control and signaling system for mounting on EN DIN rail. Installation built-in device as per DIN 43880. 6 analog or digital configurable inputs and 4 relay outputs. Supply voltage 24 V DC. Scope of supply: SMS relay, antenna, software, RS-232 cable.

Your advantages

- RS-232 configuration interface
- GSM mobile phone network: 850, 900, 1800, and 1900 MHz
- Switching of outputs for a predefined time
- Notification via SMS on change of status at input
- SMS status query of all inputs and outputs
- SMS relay for remote control of outputs
- Maximum of 5 receivers per SMS message
- Integrated phone book for up to 50 numbers
- Installation component model according to DIN 43880
- Alarm generation on voltage failure via SMS
- Password protection
- Can be used worldwide
- Configuration software and programming cable supplied as standard
- Easy configuration on PC without programming knowledge

Commercial data

Item number	2313520
Packing unit	1 pc
Note	Made to order (non-returnable)
Sales key	DN25
Product key	DNC423
GTIN	4046356466127
Weight per piece (including packing)	599.3 g
Weight per piece (excluding packing)	599.3 g
Customs tariff number	85176200
Country of origin	CH

PSI-MODEM-SMS-REL/6ADI/4DO/DC - Signaling system



2313520

<https://www.phoenixcontact.com/us/products/2313520>

Technical data

Product properties

Product type	Signaling system
--------------	------------------

Electrical properties

Maximum power dissipation for nominal condition	0.45 W
Mains type	Cellular communication

Supply

Supply voltage range	12 V DC ... 48 V DC
Typical current consumption	< 15 mA (24 V DC)

Input data

Digital

Description of the input	Digital input
Number of inputs	6
Switching level "0" signal	≤ 9.5 V DC
Switching level "1" signal	≥ 9.5 V DC

Analog

Description of the input	Analog input
Number of inputs	6
Resolution	10 bit
Voltage input signal	0 V DC ... 10 V DC

Output data

Switching

Output name	Relay output
Number of outputs	4
Contact switching type	Changeover contact
Contact material	AgNi (90/10) gold-plated
Maximum switching voltage	250 V AC/DC
Limiting continuous current	10 A (per relay) 20 A (Total current of all contacts)
Maximum inrush current	15 A (20 ms)
Mechanical service life	approx. 30×10^6 switching cycles

Connection data

Supply

Tightening torque	0.56 Nm ... 0.79 Nm
-------------------	---------------------

Interfaces

PSI-MODEM-SMS-REL/6ADI/4DO/DC - Signaling system



2313520

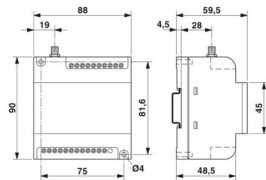
<https://www.phoenixcontact.com/us/products/2313520>

Interface	SIM interface
-----------	---------------

Wireless

Interface description	GSM
Frequency	850 MHz (2 W (EGSM))
	900 MHz (2 W (EGSM))
	1800 MHz (1 W (EGSM))
	1900 MHz (1 W (EGSM))
Antenna	50 Ω impedance SMA antenna socket

Dimensions

Dimensional drawing	
Width	88 mm
Height	90 mm
Depth	60 mm

Material specifications

Color (Housing)	white (RAL 9010)
-----------------	------------------

Environmental and real-life conditions

Ambient conditions

Ambient temperature (operation)	-25 °C ... 55 °C
Ambient temperature (storage/transport)	-40 °C ... 85 °C

EMC data

Electromagnetic compatibility	Conformance with R&TTE directive 1999/5/EC
-------------------------------	--

PSI-MODEM-SMS-REL/6ADI/4DO/DC - Signaling system

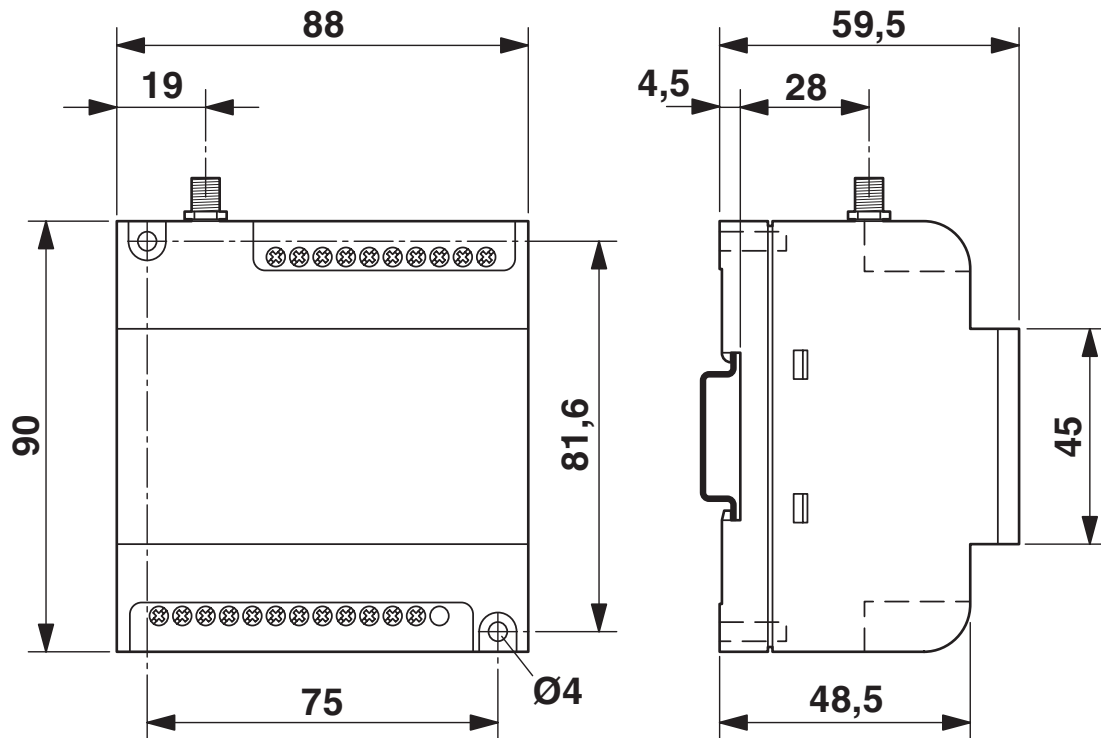


2313520

<https://www.phoenixcontact.com/us/products/2313520>

Drawings

Dimensional drawing



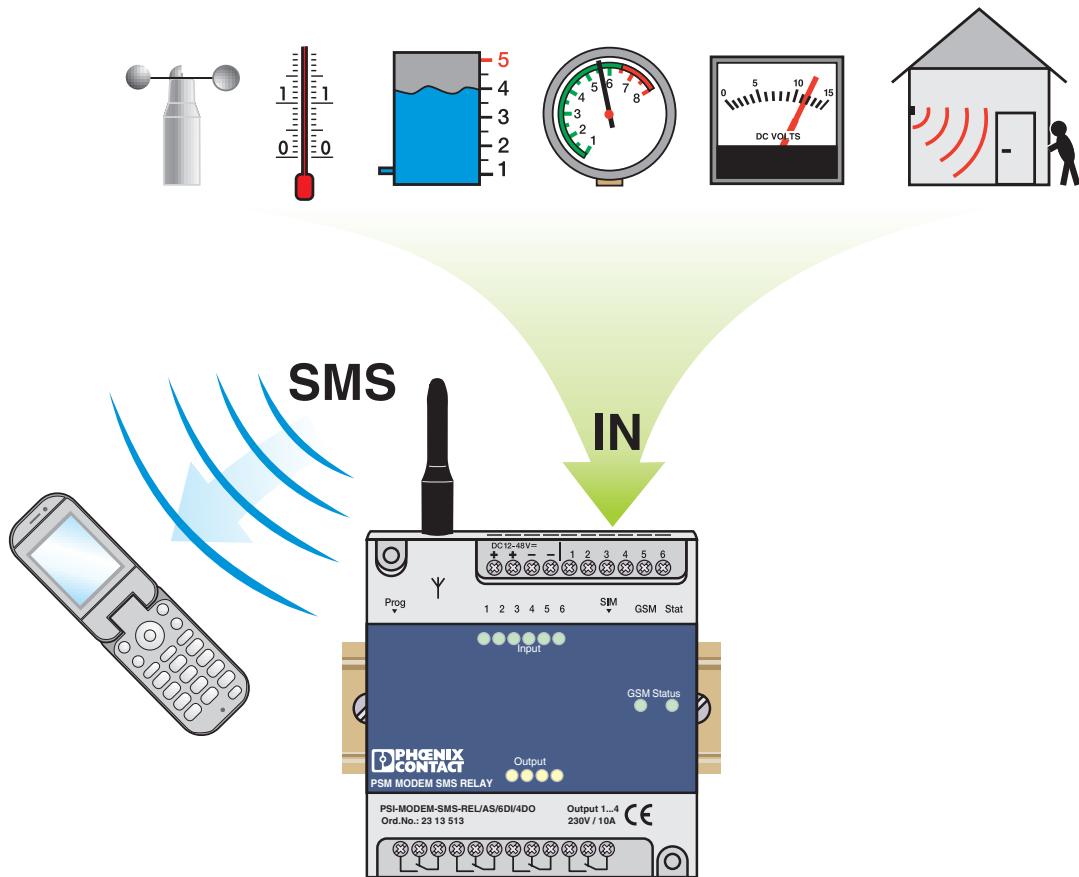
PSI-MODEM-SMS-REL/6ADI/4DO/DC - Signaling system



2313520

<https://www.phoenixcontact.com/us/products/2313520>

Application drawing



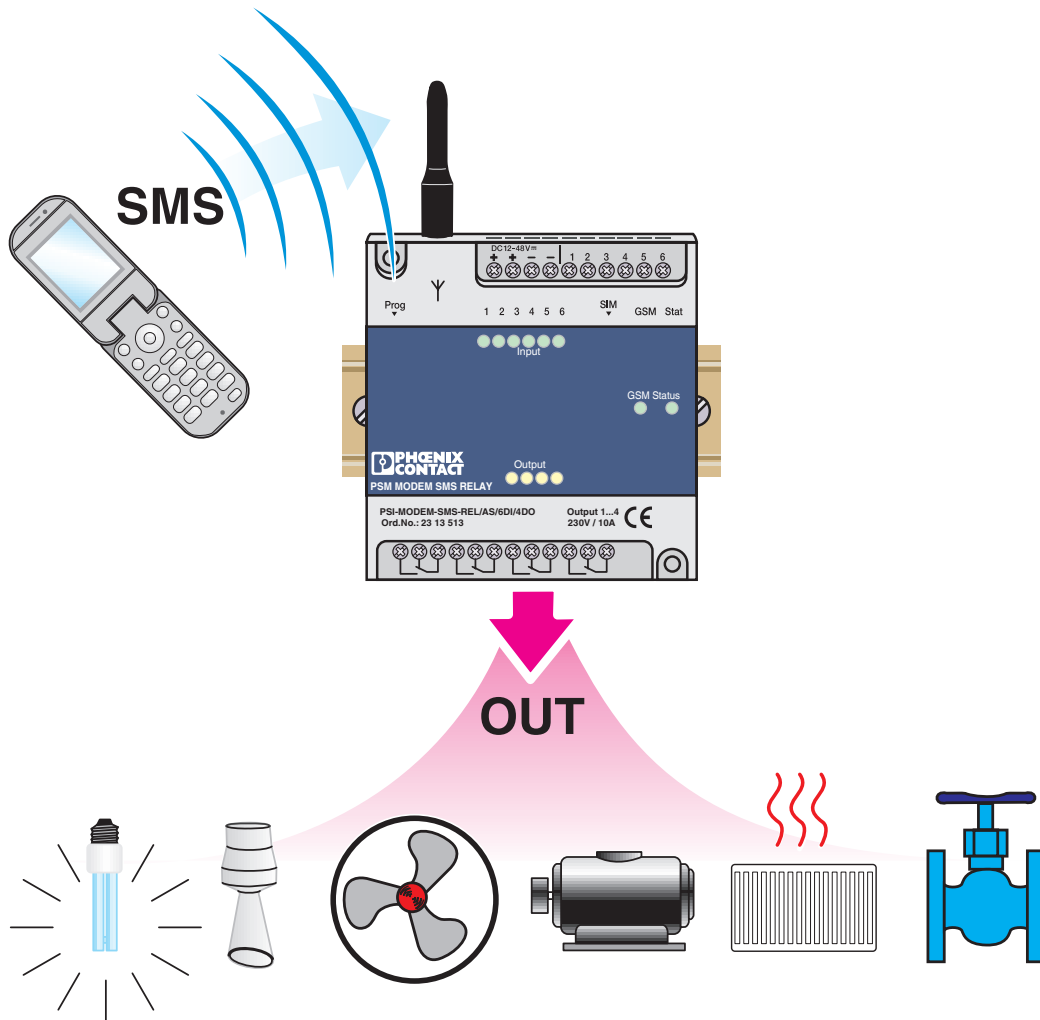
PSI-MODEM-SMS-REL/6ADI/4DO/DC - Signaling system



2313520

<https://www.phoenixcontact.com/us/products/2313520>

Application drawing



PSI-MODEM-SMS-REL/6ADI/4DO/DC - Signaling system



2313520

<https://www.phoenixcontact.com/us/products/2313520>

Environmental product compliance

China RoHS

Environment friendly use period (EFUP)	EFUP-E
	No hazardous substances above the limits

EU REACH SVHC

REACH candidate substance (CAS No.)	No substance above 0.1 wt%
-------------------------------------	----------------------------

Phoenix Contact 2026 © - all rights reserved
<https://www.phoenixcontact.com>

Phoenix Contact USA
586 Fulling Mill Road
Middletown, PA 17057, United States
(+717) 944-1300
info@phoenixcon.com