

PSI-MODEM-SMS-REL/6 DI/4DO/AC - Signaling system



2313513

<https://www.phoenixcontact.com/us/products/2313513>

Please be informed that the data shown in this PDF document is generated from our online catalog. Please find the complete data in the user documentation. Our general terms of use for downloads are valid.



SMS remote control and signaling system for mounting on EN DIN rails. Installation built-in device as per DIN 43880. 6 digital inputs and 4 relay outputs. Supply voltage 240 V AC. Scope of supply: SMS relay, antenna, software, RS-232 cable.

Your advantages

- GSM mobile phone network: 850, 900, 1800, and 1900 MHz
- RS-232 configuration interface
- Switching of outputs for a predefined time
- Notification via SMS on change of status at input
- SMS status query of all inputs and outputs
- SMS relay for remote control of outputs
- Integrated phone book for up to 50 numbers
- Maximum of 5 receivers per SMS message
- Installation component model according to DIN 43880
- Password protection
- Alarm generation on voltage failure via SMS
- Easy configuration on PC without programming knowledge
- Can be used worldwide
- Configuration software and programming cable supplied as standard

Commercial data

Item number	2313513
Packing unit	1 pc
Note	Made to order (non-returnable)
Sales key	DN25
Product key	DNC423
GTIN	4046356466110
Weight per piece (including packing)	612.4 g
Weight per piece (excluding packing)	612.4 g
Customs tariff number	85176200
Country of origin	CH

PSI-MODEM-SMS-REL/6 DI/4DO/AC - Signaling system



2313513

<https://www.phoenixcontact.com/us/products/2313513>

Technical data

Product properties

Product type	Signaling system
--------------	------------------

Electrical properties

Maximum power dissipation for nominal condition	1.75 W
Mains type	Cellular communication

Supply

Supply voltage range	110 V AC ... 240 V AC
Typical current consumption	< 10 mA (230 V AC)

Input data

Digital

Description of the input	Digital input
Number of inputs	6
Switching level "0" signal	≤ 85 V AC
Switching level "1" signal	≥ 85 V AC

Output data

Switching

Output name	Relay output
Number of outputs	4
Contact switching type	Changeover contact
Contact material	AgNi (90/10) gold-plated
Maximum switching voltage	250 V AC/DC
Limiting continuous current	10 A (per relay) 20 A (Total current of all contacts)
Maximum inrush current	15 A (20 ms)
Mechanical service life	approx. 30x 10 ⁶ switching cycles

Connection data

Supply

Tightening torque	0.56 Nm ... 0.79 Nm
-------------------	---------------------

Interfaces

Interface	SIM interface
-----------	---------------

Wireless

Interface description	GSM
Frequency	850 MHz (2 W (EGSM)) 900 MHz (2 W (EGSM))

PSI-MODEM-SMS-REL/6 DI/4DO/AC - Signaling system

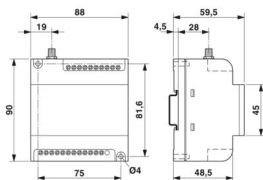


2313513

<https://www.phoenixcontact.com/us/products/2313513>

	1800 MHz (1 W (EGSM))
	1900 MHz (1 W (EGSM))
Antenna	50 Ω impedance SMA antenna socket

Dimensions

Dimensional drawing	
Width	88 mm
Height	90 mm
Depth	60 mm

Material specifications

Color (Housing)	white (RAL 9010)
-----------------	------------------

Environmental and real-life conditions

Ambient conditions

Ambient temperature (operation)	-25 °C ... 55 °C
Ambient temperature (storage/transport)	-40 °C ... 85 °C

Approvals

Corrosive gas test

Identification	ISA-S71.04-1985 G3 Harsh Group A
----------------	----------------------------------

EMC data

Electromagnetic compatibility	Conformance with R&TTE directive 1999/5/EC
-------------------------------	--

PSI-MODEM-SMS-REL/6 DI/4DO/AC - Signaling system

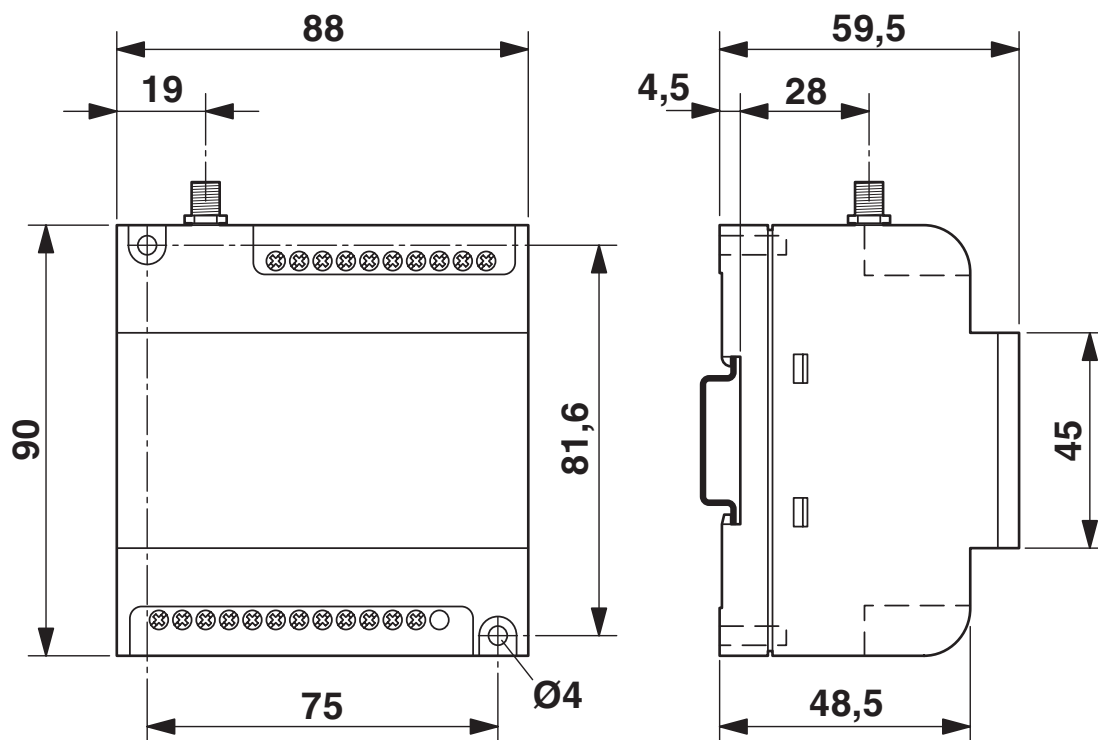


2313513

<https://www.phoenixcontact.com/us/products/2313513>

Drawings

Dimensional drawing



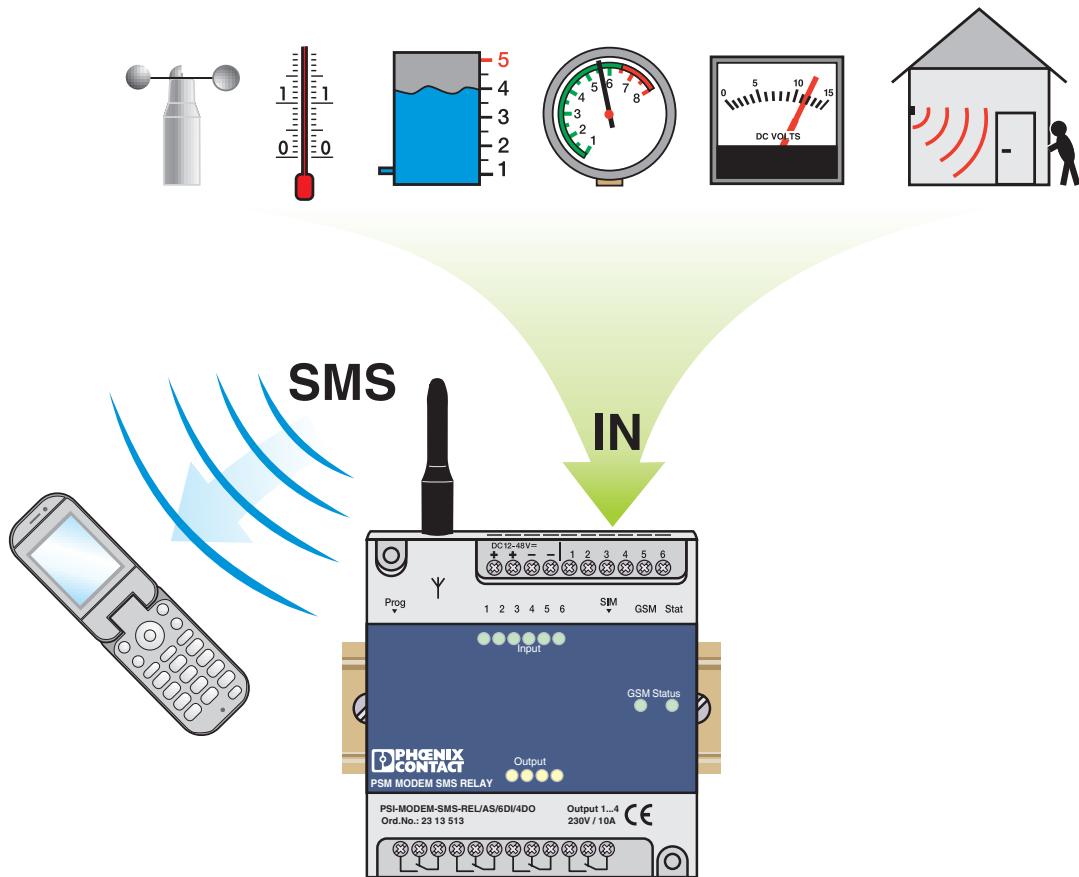
PSI-MODEM-SMS-REL/6 DI/4DO/AC - Signaling system



2313513

<https://www.phoenixcontact.com/us/products/2313513>

Application drawing

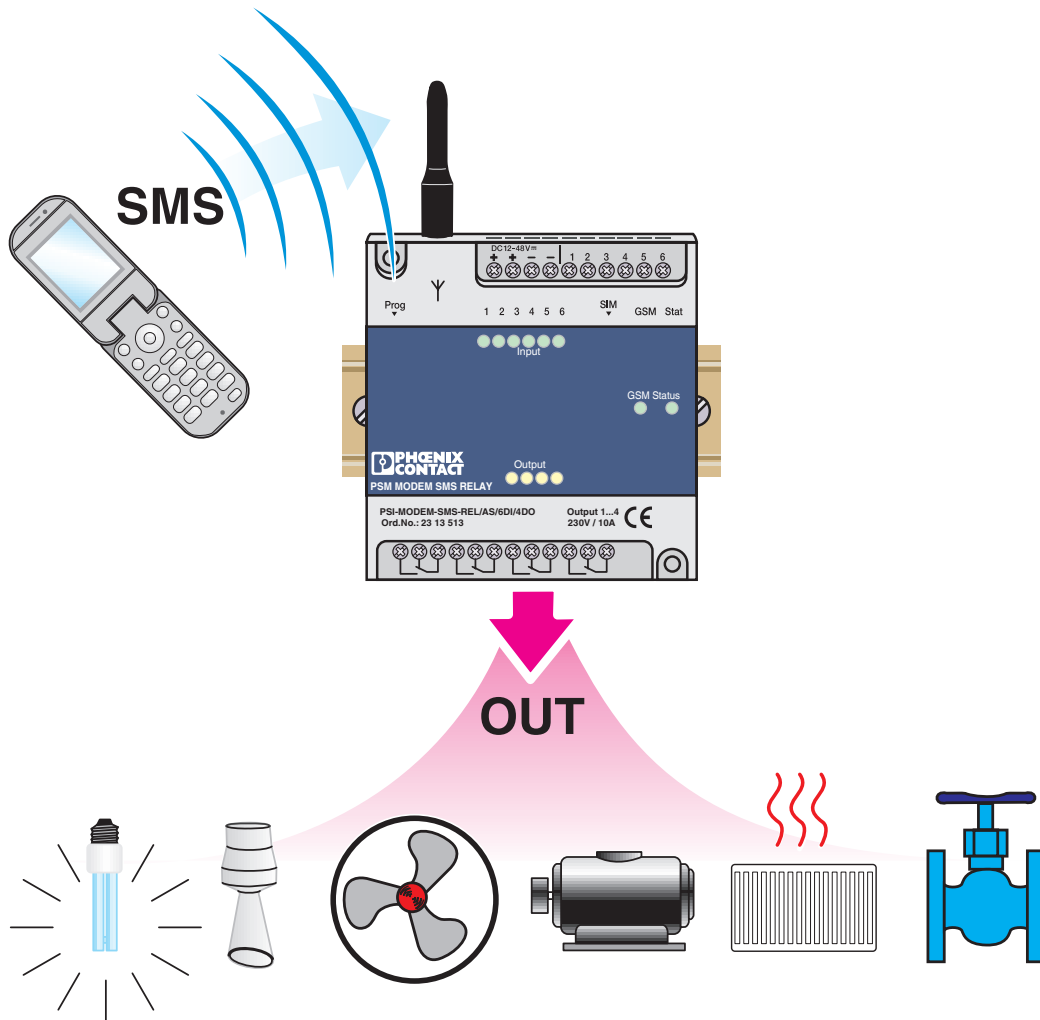


PSI-MODEM-SMS-REL/6 DI/4DO/AC - Signaling system

2313513

<https://www.phoenixcontact.com/us/products/2313513>

Application drawing



PSI-MODEM-SMS-REL/6 DI/4DO/AC - Signaling system



2313513

<https://www.phoenixcontact.com/us/products/2313513>

Environmental product compliance

China RoHS

Environment friendly use period (EFUP)	EFUP-E
	No hazardous substances above the limits

EU REACH SVHC

REACH candidate substance (CAS No.)	No substance above 0.1 wt%
-------------------------------------	----------------------------

Phoenix Contact 2026 © - all rights reserved
<https://www.phoenixcontact.com>

Phoenix Contact USA
586 Fulling Mill Road
Middletown, PA 17057, United States
(+717) 944-1300
info@phoenixcon.com