

PSI-REP-DNET CAN - Repeater



2313423

<https://www.phoenixcontact.com/us/products/2313423>

Please be informed that the data shown in this PDF document is generated from our online catalog. Please find the complete data in the user documentation. Our general terms of use for downloads are valid.



Modular repeater for electrical isolation and increasing the range for DeviceNet™, SDS, CANopen®, data rate of up to 1 Mbps, high-quality electrical isolation between the interfaces, DIN-rail mountable, 24 V DC supply

Product description

The performance and availability of bus systems can be significantly increased by using repeaters. In addition to electrical isolation, bus segmentation with repeaters makes it possible to multiply the permissible coverage of the network and to extend the number of devices.

Your advantages

- Automatic data rate detection or fixed data rate setting via DIP switches
- Data rates of up to 1 Mbps
- High-quality 4-way isolation between all interfaces
- Can be combined with PSI-MOS FO converters in a modular way thanks to DIN rail connectors
- All connections can be plugged in using a COMBICON screw terminal block
- Approved for use in zone 2
- Shipbuilding approval in accordance with DNV GL



DeviceNet™

CANopen®

Commercial data

Item number	2313423
Packing unit	1 pc
Minimum order quantity	1 pc
Sales key	DN11
Product key	DNC123
GTIN	4046356428392

PSI-REP-DNET CAN - Repeater



2313423

<https://www.phoenixcontact.com/us/products/2313423>

Weight per piece (including packing)	242.83 g
Weight per piece (excluding packing)	164.23 g
Customs tariff number	85176200
Country of origin	DE

Technical data

Notes

Note on application

Note on application	Only for industrial use
---------------------	-------------------------

Utilization restriction

CCCex note	Use in potentially explosive areas is not permitted in China.
------------	---

Product properties

Product type	Interface converter
MTTF	1091 Years (SN 29500 standard, temperature 25°C, operating cycle 21%)
	514 Years (SN 29500 standard, temperature 40°C, operating cycle 34.25%)
	208 Years (SN 29500 standard, temperature 40°C, operating cycle 100%)
MTBF	823 Years (Telcordia standard, 25°C temperature, 21% operating cycle (5 days a week, 8 hours a day))
	170 Years (Telcordia standard, 40°C temperature, 34.25% operating cycle (5 days a week, 12 hours a day))

Electrical properties

Electrical isolation	VCC // TBUS // CAN A // CAN B
Maximum power dissipation for nominal condition	1.32 W
Test voltage data interface/power supply	1.5 kV _{rms} (50 Hz, 1 min.)
Rated insulation voltage	85 V DC (In accordance with EN/IEC 60079-7, Annex H)

Supply

Supply voltage range	10 V DC ... 30 V DC (via pluggable COMBICON screw terminal block)
Nominal supply voltage	24 V DC
Typical current consumption	55 mA (24 V DC)
Max. current consumption	80 mA
	≤ 2 A (For operation in a joining station, via the DIN rail connector)

Function

Status and diagnostic indicators	LEDs: VCC (supply voltage), NET A (Mod/Net status port A), NET B (Mod/Net status port B), ACT (activity/data traffic)
----------------------------------	---

Output data

Switching

Output name	Relay output
Number of outputs	1
Contact switching type	N/C contact

PSI-REP-DNET CAN - Repeater



2313423

<https://www.phoenixcontact.com/us/products/2313423>

Minimum switching voltage	10 V DC
Maximum switching voltage	30 V DC
Limiting continuous current	500 mA

Connection data

Supply

Stripping length	7.00 mm
Tightening torque	0.56 Nm ... 0.79 Nm

Interfaces

Bit distortion, input	± 35 %
Bit distortion, output	< 6.25 %
Bit delay	One telegram length (EXTENDED)
Signal	CAN
	CANopen®
	DeviceNet™

Data: CAN interface, in accordance with ISO/IS 11898 for DeviceNet™, CAN, CANopen®

Transmission speed	≤ 1 Mbps (Configurable via DIP switches)
Connection method	COMBICON plug-in screw terminal block
No. of channels	2 (CAN_High / CAN_Low)
Transmission length	≤ 5000 m (Dependent on the data rate and the protocol used)
Number of bus devices	≤ 64 (per potential segment)
	≤ 63 (DeviceNet™, can be addressed logically)
	≤ 128 (CANopen®, can be addressed logically)
Termination resistor	124 Ω (Integrated and ready to be switched)
Single conductor/terminal point, rigid	0.2 mm ² ... 2.5 mm ²
Single-wire/terminal point, flexible	0.2 mm ² ... 2.5 mm ²
Max. AWG conductor cross-section, flexible	14
Min. AWG conductor cross-section, flexible	24
Single-wire/terminal point, rigid AWG max.	14
Single-wire/terminal point, rigid AWG min.	24
Stripping length	7 mm
Transmission medium	2-wire twisted pair, shielded
Transmission method	CSMA/CA
File format/coding	Bit stuffing, NRZ

Data: CAN interface, in accordance with ISO/IS 11898 for DeviceNet™, CAN, CANopen®

Transmission speed	≤ 1 Mbps (Configurable via DIP switches)
Connection method	COMBICON plug-in screw terminal block
No. of channels	2 (CAN_High / CAN_Low)
Transmission length	≤ 5000 m (Dependent on the data rate and the protocol used)
Number of bus devices	≤ 64 (per potential segment)
	≤ 63 (DeviceNet™, can be addressed logically)
	≤ 128 (CANopen®, can be addressed logically)

PSI-REP-DNET CAN - Repeater

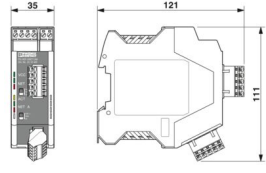


2313423

<https://www.phoenixcontact.com/us/products/2313423>

Termination resistor	124 Ω (Integrated and ready to be switched)
Single conductor/terminal point, rigid	0.2 mm ² ... 2.5 mm ²
Single-wire/terminal point, flexible	0.2 mm ² ... 2.5 mm ²
Max. AWG conductor cross-section, flexible	14
Min. AWG conductor cross-section, flexible	24
Single-wire/terminal point, rigid AWG max.	14
Single-wire/terminal point, rigid AWG min.	24
Transmission medium	2-wire twisted pair, shielded
Transmission method	CSMA/CA
File format/coding	Bit stuffing, NRZ

Dimensions

Dimensional drawing	
Width	35 mm
Height	111 mm
Depth	121 mm

Material specifications

Color (Housing)	green (RAL 6021)
Material (Housing)	PA 6.6-FR

Mechanical tests

Free fall in accordance with IEC 60068-2-32	Free fall: 1 m
Vibration resistance in accordance with EN 60068-2-6/IEC 60068-2-6	Vibration (operation): 5g, 10...150 Hz, 2.5 h, in XYZ direction
Shock in accordance with EN 60068-2-27/IEC 60068-2-27	Shock (operation): 15g, 11 ms period, half-sine shock pulse

Environmental and real-life conditions

Ambient conditions

Degree of protection	IP20
Ambient temperature (operation)	-20 °C ... 60 °C
Ambient temperature (storage/transport)	-40 °C ... 85 °C
Altitude	≤ 5000 m (For restrictions, see the manufacturer's declaration for altitude operation)
Permissible humidity (operation)	30 % ... 95 % (non-condensing)

Approvals

CE

Certificate	CE-compliant
-------------	--------------

PSI-REP-DNET CAN - Repeater



2313423

<https://www.phoenixcontact.com/us/products/2313423>

ATEX

Identification	Ⓜ II 3 G Ex ec IIC T4 Gc
Certificate	PxCIF07ATEX2313533X
Note	Please follow the special installation instructions in the documentation!

UKEX

Identification	Ⓜ II 3 G Ex ec IIC T4 Gc
Certificate	PxCIMA22UKEX2313423X

UL, USA/Canada

Identification	508 Listed
----------------	------------

Corrosive gas test

Identification	ISA-S71.04-1985 G3 Harsh Group A
----------------	----------------------------------

Shipbuilding

Identification	DNV GL
----------------	--------

Shipbuilding data

Temperature	B
Humidity	A
Vibration	A
EMC	B
Enclosure	Required protection according to the Rules shall be provided upon installation on board

EMC data

Electromagnetic compatibility	Conformance with EMC Directive 2014/30/EU
Noise immunity	EN 61000-6-2

Noise emission

Standards/regulations	EN 55011
-----------------------	----------

Electrostatic discharge

Standards/regulations	EN 61000-4-2
-----------------------	--------------

Electrostatic discharge

Contact discharge	± 6 kV
Discharge in air	± 8 kV
Comments	Criterion B

Electromagnetic HF field

Standards/regulations	EN 61000-4-3
-----------------------	--------------

Electromagnetic HF field

Frequency range	80 MHz ... 3 GHz
Field intensity	10 V/m
Comments	Criterion A

PSI-REP-DNET CAN - Repeater



2313423

<https://www.phoenixcontact.com/us/products/2313423>

Fast transients (burst)

Standards/regulations	EN 61000-4-4
-----------------------	--------------

Fast transients (burst)

Input	± 2 kV
Signal	± 2 kV
Comments	Criterion B

Surge current load (surge)

Standards/regulations	EN 61000-4-5
-----------------------	--------------

Surge current load (surge)

Input	± 0.5 kV
Signal	± 1 kV
Comments	Criterion B

Conducted interference

Standards/regulations	EN 61000-4-6
-----------------------	--------------

Conducted interference

Comments	Criterion A
Voltage	10 V

Emitted interference

Standards/regulations	EN 55011
Comments	Class A, industrial applications

Criteria

Criterion A	Normal operating behavior within the specified limits.
Criterion B	Temporary impairment to operational behavior that is corrected by the device itself.

Standards and regulations

Free from substances that could impair the application of coating	VDMA 24364:2018-05
---	--------------------

Mounting

Mounting type	DIN rail mounting
Assembly note	The product can be snapped onto all 35 mm DIN rails in accordance with EN 60715.
Useable DIN rail type	DIN rail: 35 mm

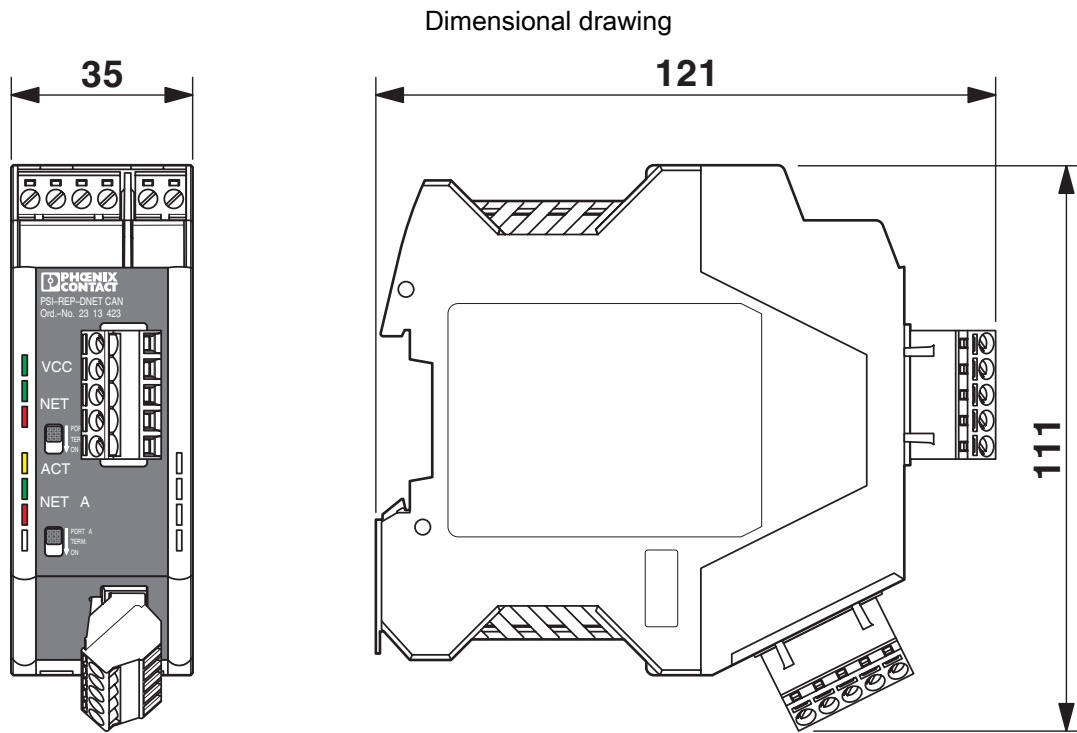
PSI-REP-DNET CAN - Repeater



2313423

<https://www.phoenixcontact.com/us/products/2313423>

Drawings



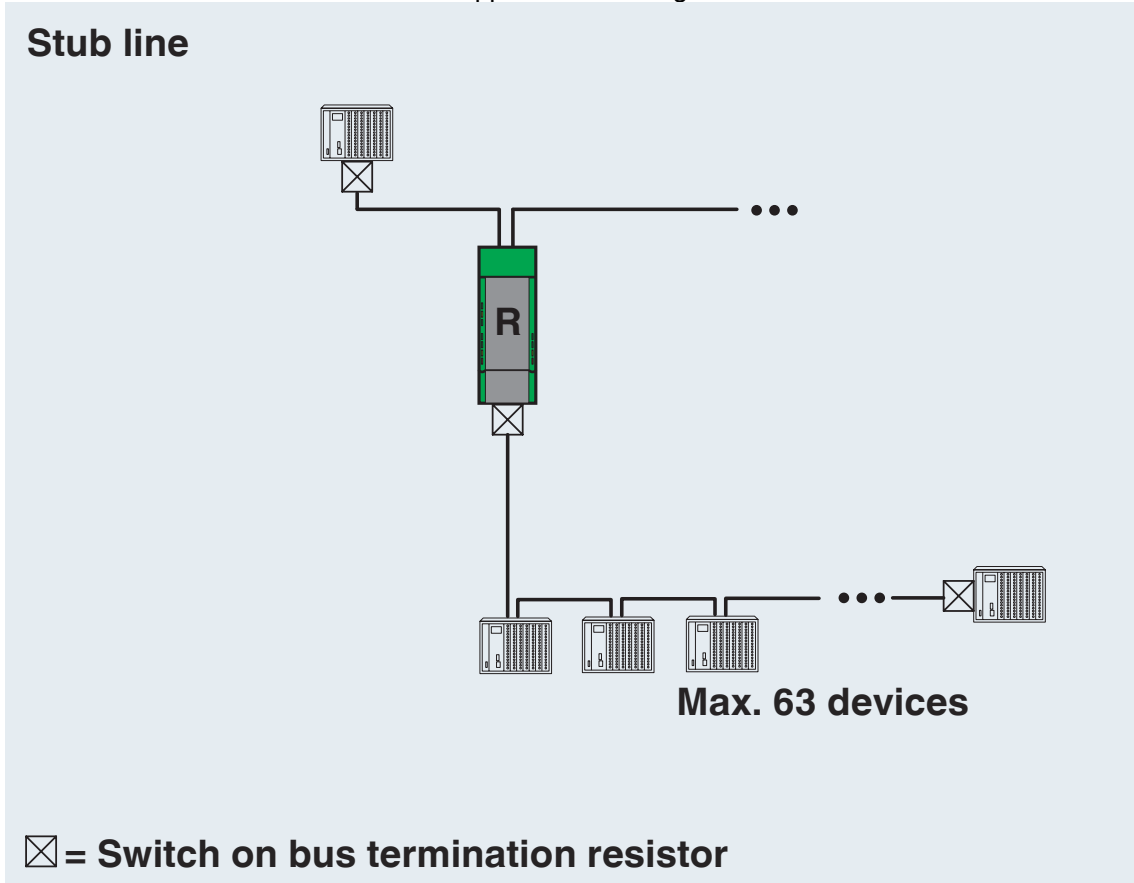
Housing dimensions

PSI-REP-DNET CAN - Repeater

2313423

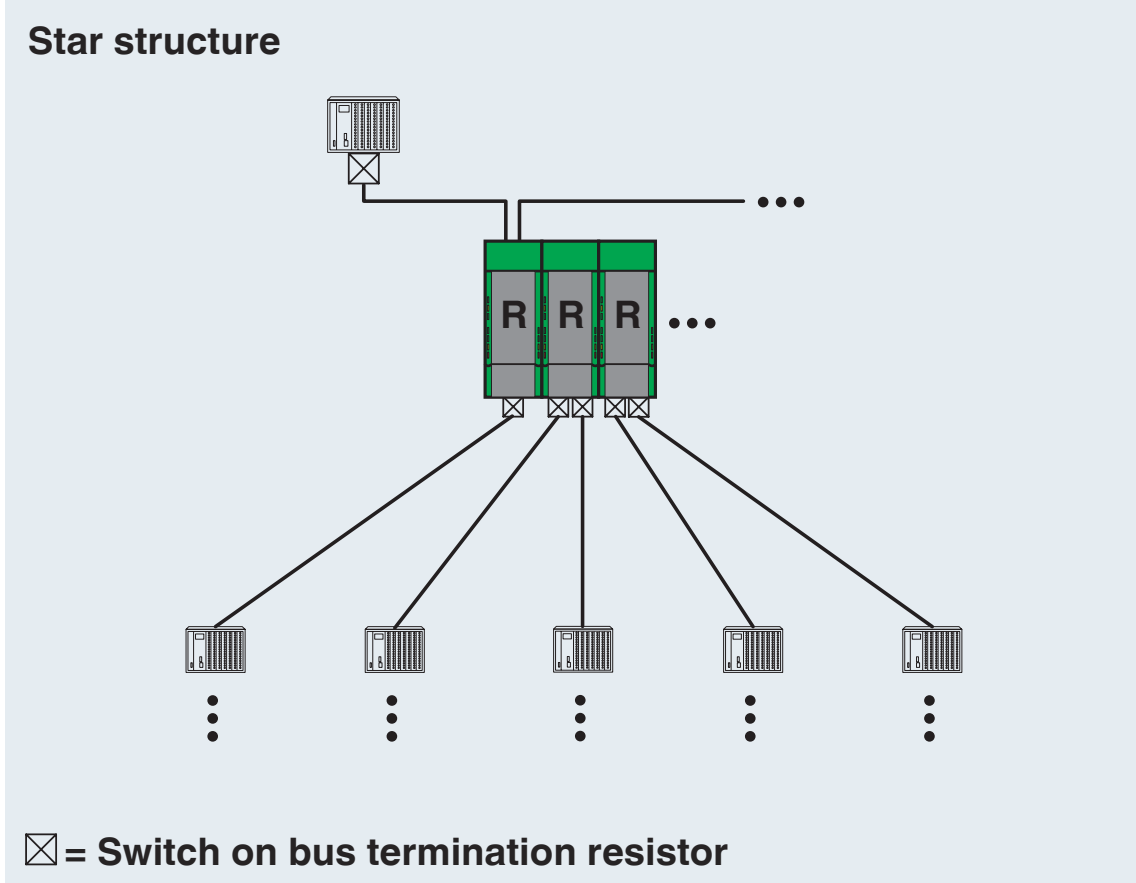
<https://www.phoenixcontact.com/us/products/2313423>

Application drawing



Branch line

Application drawing

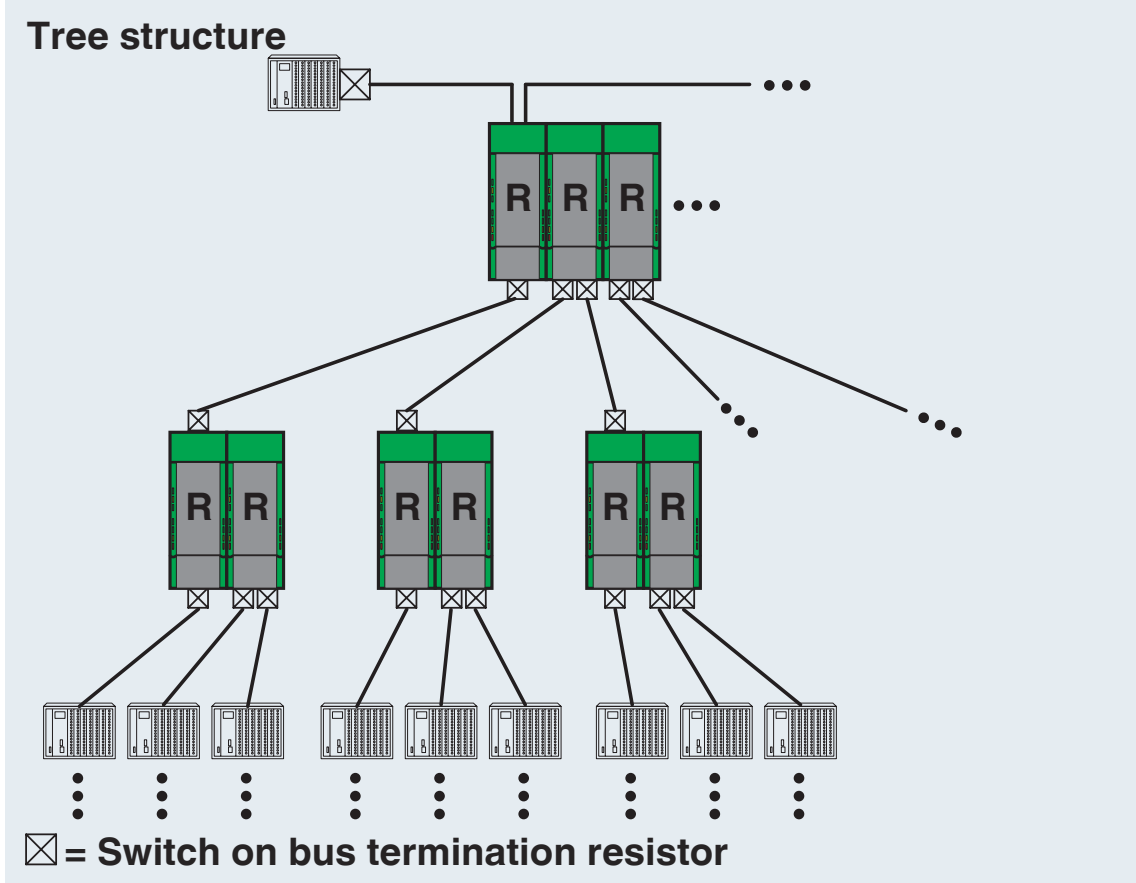


Star structure

2313423

<https://www.phoenixcontact.com/us/products/2313423>

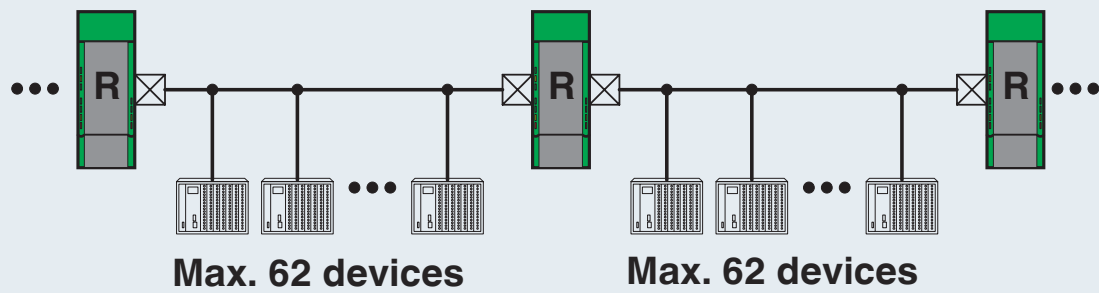
Application drawing



Tree structure

Application drawing

Linear structure



☒ = Switch on bus termination resistor

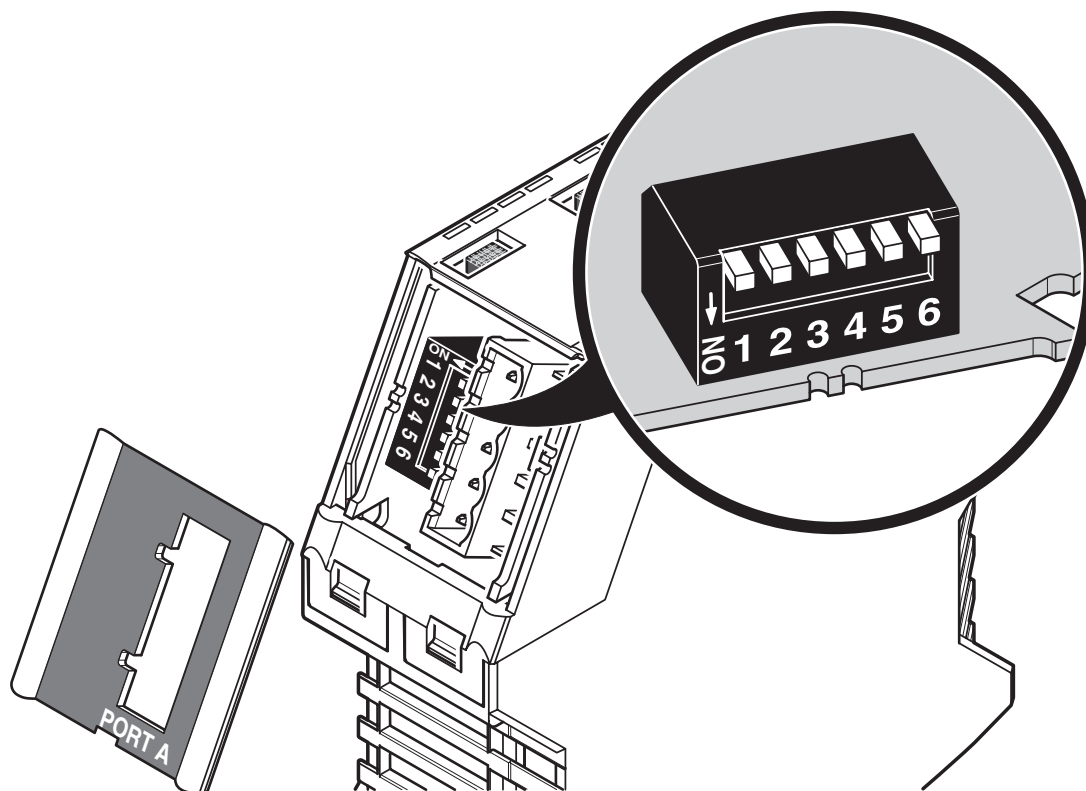
Line structure

PSI-REP-DNET CAN - Repeater

2313423

<https://www.phoenixcontact.com/us/products/2313423>

Schematic diagram



DIP switches

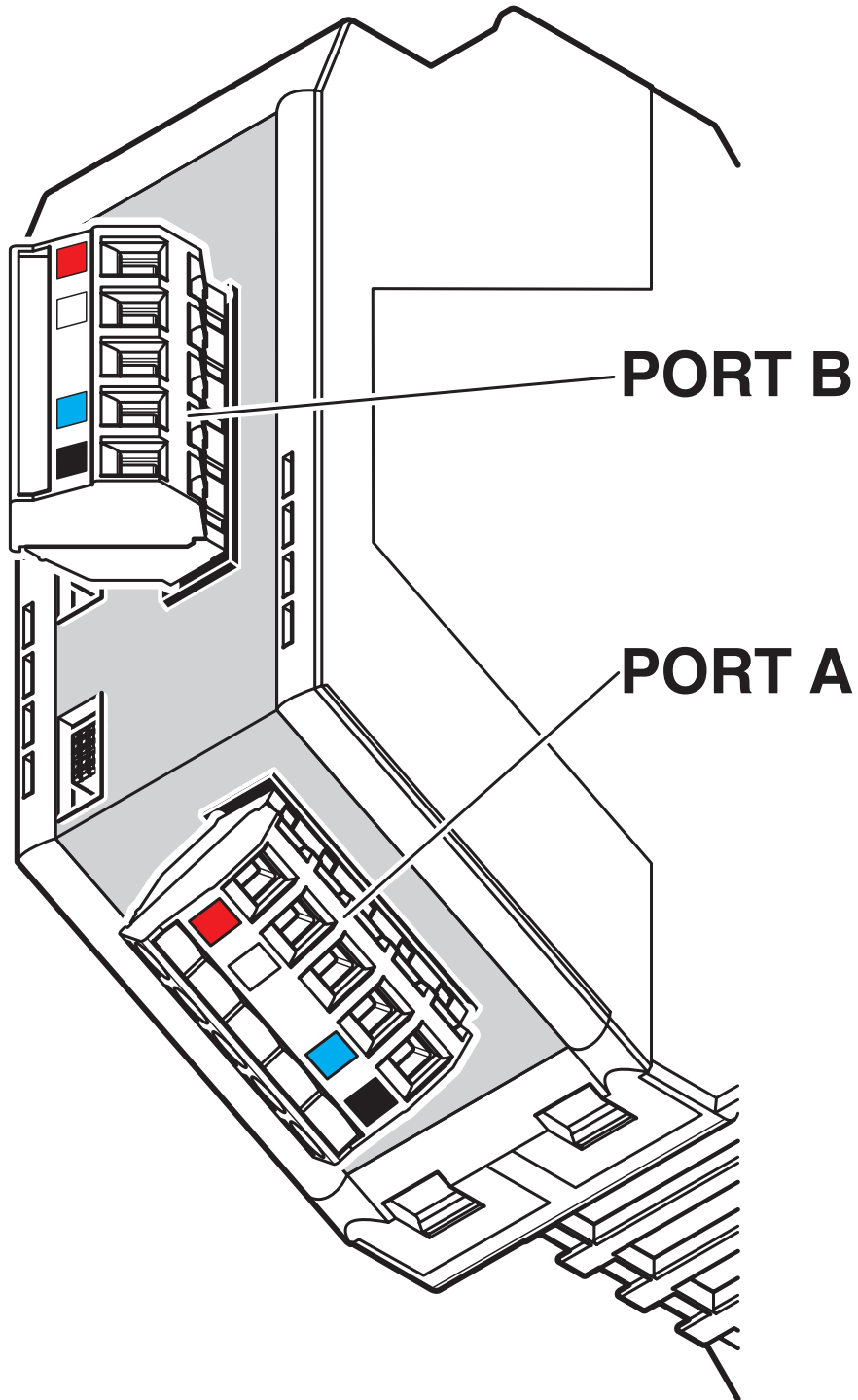
PSI-REP-DNET CAN - Repeater

2313423

<https://www.phoenixcontact.com/us/products/2313423>



Schematic diagram

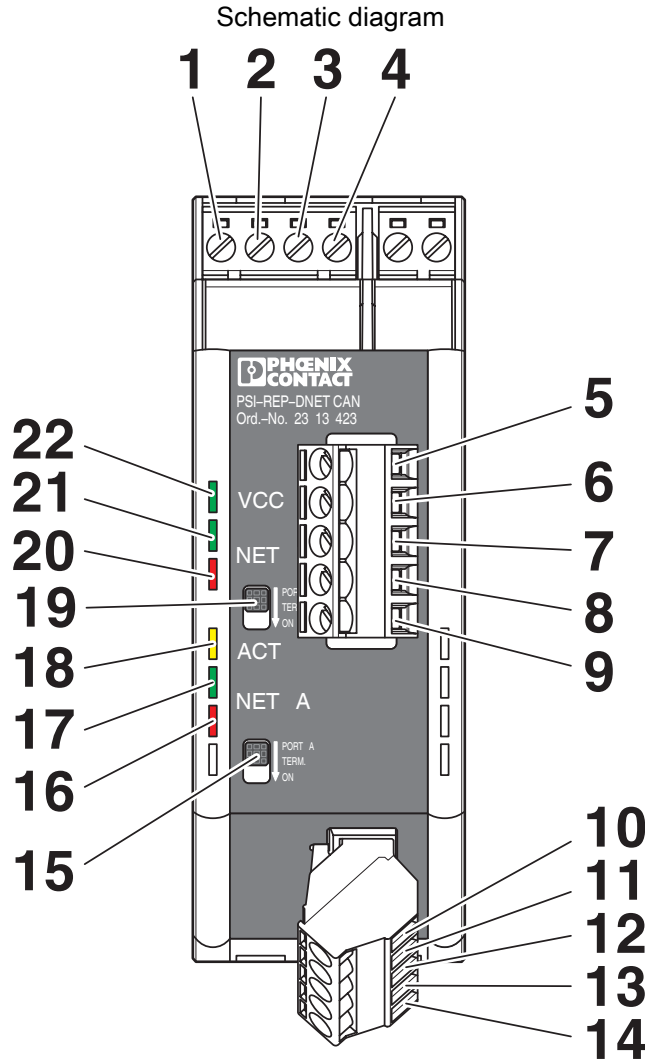


Device connections

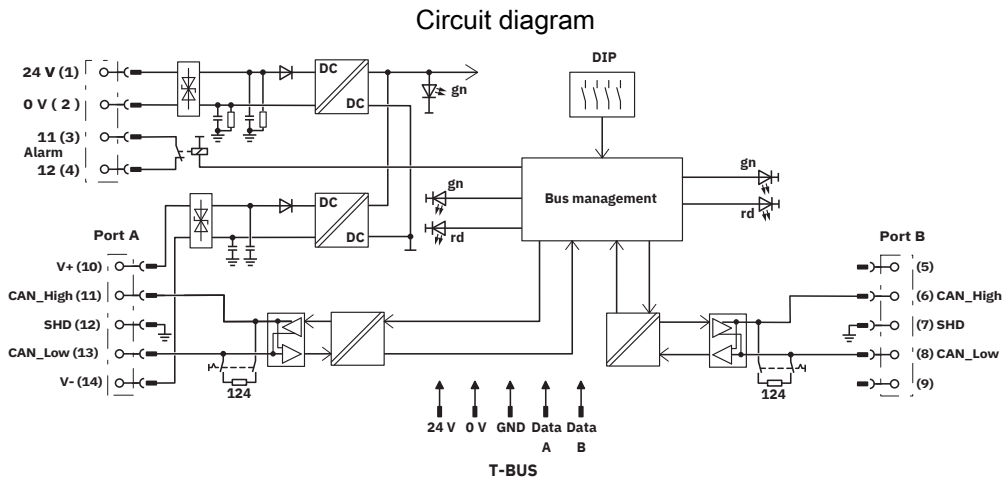
PSI-REP-DNET CAN - Repeater

2313423

<https://www.phoenixcontact.com/us/products/2313423>



Front view



Basic circuit diagram

PSI-REP-DNET CAN - Repeater



2313423

<https://www.phoenixcontact.com/us/products/2313423>

Approvals

To download certificates, visit the product detail page: <https://www.phoenixcontact.com/us/products/2313423>



UL Listed

Approval ID: E238705



cUL Listed

Approval ID: E238705



DNV GL

Approval ID: TAA00001KR

PSI-REP-DNET CAN - Repeater



2313423

<https://www.phoenixcontact.com/us/products/2313423>

Classifications

ECLASS

ECLASS-13.0	27242208
ECLASS-15.0	27242208

UNSPSC

UNSPSC 21.0	32151700
-------------	----------

2313423

<https://www.phoenixcontact.com/us/products/2313423>

Environmental product compliance

EU RoHS

Fulfills EU RoHS substance requirements	Yes
Exemption	7(a), 7(c)-I

China RoHS

Environment friendly use period (EFUP)	EFUP-50
	An article-related China RoHS declaration table can be found in the download area for the respective article under "Manufacturer declaration". For all articles with EFUP-E, no China RoHS declaration table issued and required.

EU REACH SVHC

REACH candidate substance (CAS No.)	Lead(CAS: 7439-92-1)
SCIP	8a76a96e-69ef-4528-8fc1-85c388799e92

EF3.1 Climate Change

CO2e kg	17.553 kg CO2e
---------	----------------

Phoenix Contact 2026 © - all rights reserved
<https://www.phoenixcontact.com>

Phoenix Contact USA
586 Fulling Mill Road
Middletown, PA 17057, United States
(+717) 944-1300
info@phoenixcon.com