

PSI-GSM/UMTS-QB-ANT - Antenna

2313371

<https://www.phoenixcontact.com/us/products/2313371>

Please be informed that the data shown in this PDF document is generated from our online catalog. Please find the complete data in the user documentation. Our general terms of use for downloads are valid.

GSM UMTS antenna, with omnidirectional characteristic, 2 m antenna cable with SMA round connector



Commercial data

| | |
|--------------------------------------|---------------|
| Item number | 2313371 |
| Packing unit | 1 pc |
| Minimum order quantity | 1 pc |
| Sales key | DN23 |
| Product key | DNC4Z1 |
| GTIN | 4046356411066 |
| Weight per piece (including packing) | 96.5 g |
| Weight per piece (excluding packing) | 94.7 g |
| Customs tariff number | 85177100 |
| Country of origin | DE |

2313371

<https://www.phoenixcontact.com/us/products/2313371>

Technical data

Product properties

| | |
|---------------------------|-----------------------|
| Product type | Antenna |
| Radiation characteristics | Omnidirectional |
| Gain | 5 dBi (800/900 MHz) |
| | 3 dBi (1800/1900 MHz) |
| | 1 dBi (2100 MHz) |
| Polarization | Linear vertical |

Electrical properties

| | |
|---------------------------------------------------|---------------------|
| Frequency band | 2100 MHz |
| | 850 MHz |
| | 1900 MHz |
| | 1800 MHz |
| | 900 MHz |
| Frequency range | 800 MHz ... 900 MHz |
| | 1.8 GHz ... 1.9 GHz |
| | 2.1 GHz |
| Impedance | 50 Ω |
| Maximum capacity | 10.00 W |
| Voltage standing wave ratio VSWR in a 50 Ω system | < 2.00 |

Connection data

| | |
|-----------------------|------------|
| Connection technology | |
| Connection method | SMA (male) |

Dimensions

| | |
|----------|-------|
| Height | 21 mm |
| Diameter | 76 mm |

Material specifications

| | |
|------------------|----------------------------|
| Material (Cable) | RG174 (Outer cable sheath) |
|------------------|----------------------------|

Cable/line

| | |
|---------------------------------------------|---------|
| Cable length | 2.00 m |
| Connecting cable | yes |
| External cable diameter | 2.70 mm |
| Smallest bending radius, fixed installation | 15 mm |

Environmental and real-life conditions

| | |
|----------------------|-------------------|
| Ambient conditions | |
| Degree of protection | IP69K (Assembled) |

PSI-GSM/UMTS-QB-ANT - Antenna



2313371

<https://www.phoenixcontact.com/us/products/2313371>

| | |
|-----------------------------------------|------------------|
| Ambient temperature (operation) | -40 °C ... 85 °C |
| Ambient temperature (storage/transport) | -40 °C ... 85 °C |

Mounting

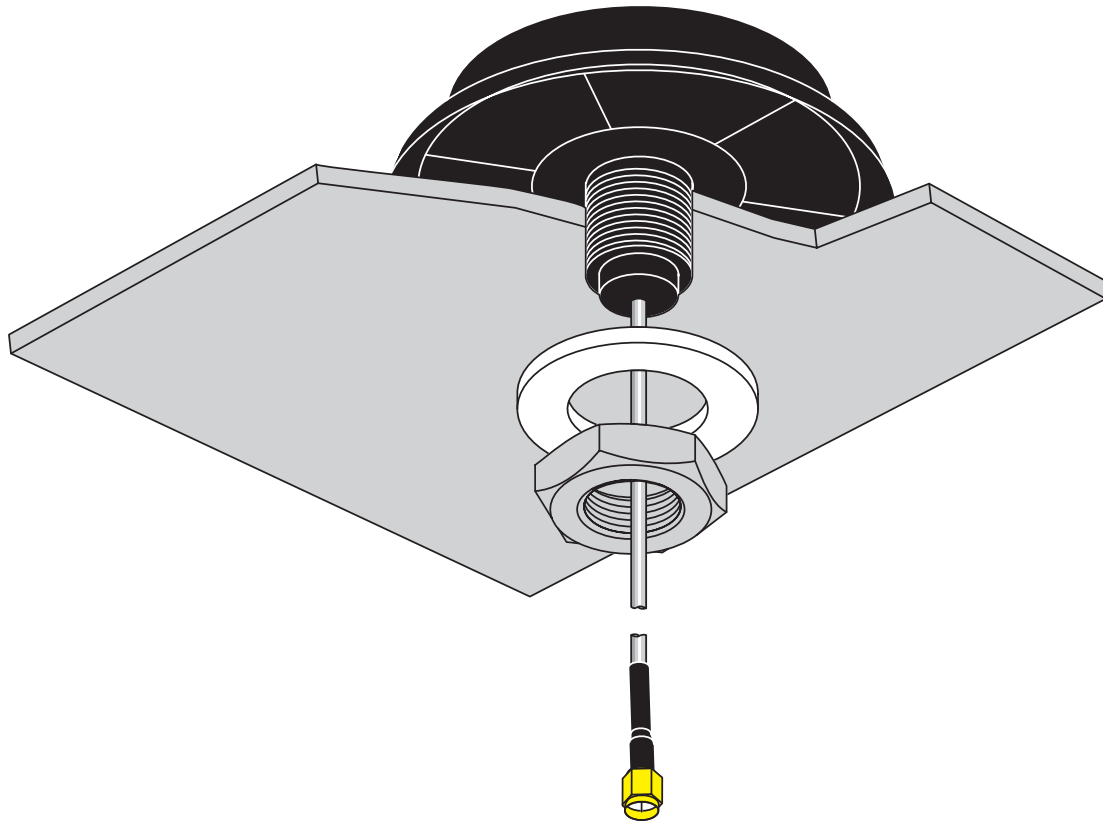
| | |
|---------------|-----------------|
| Mounting type | Control cabinet |
|---------------|-----------------|

2313371

<https://www.phoenixcontact.com/us/products/2313371>

Drawings

Schematic diagram



Mounting on the control cabinet

PSI-GSM/UMTS-QB-ANT - Antenna



2313371

<https://www.phoenixcontact.com/us/products/2313371>

Classifications

ECLASS

ECLASS-13.0

19070105

ETIM

ETIM 9.0

EC001698

UNSPSC

UNSPSC 21.0

43223100

2313371

<https://www.phoenixcontact.com/us/products/2313371>

Environmental product compliance

EU RoHS

| | |
|-----------------------------------------|------|
| Fulfills EU RoHS substance requirements | Yes |
| Exemption | 6(c) |

China RoHS

| | |
|----------------------------------------|------------------------------------------|
| Environment friendly use period (EFUP) | EFUP-E |
| | No hazardous substances above the limits |

EU REACH SVHC

| | |
|-------------------------------------|----------------------|
| REACH candidate substance (CAS No.) | Lead(CAS: 7439-92-1) |
|-------------------------------------|----------------------|

Phoenix Contact 2026 © - all rights reserved

<https://www.phoenixcontact.com>

Phoenix Contact USA
586 Fulling Mill Road
Middletown, PA 17057, United States
(+717) 944-1300
info@phoenixcon.com