

SUBCON-PLUS-PROFIB/PG/FC 90 - D-SUB bus connector



2313287

<https://www.phoenixcontact.com/us/products/2313287>

Please be informed that the data shown in this PDF document is generated from our online catalog. Please find the complete data in the user documentation. Our general terms of use for downloads are valid.



D-SUB connector, 9-pos., pin, 90° cable outlet, bus system: PROFIBUS DP up to 12 Mbps with PG D-SUB socket for connecting a programming device, termination resistor can be switched on via slide switch, pin assignment: 3, 5, 6, 8; IDC terminal block connection

Commercial data

Item number	2313287
Packing unit	1 pc
Note	Made to order (non-returnable)
Sales key	DN10
Product key	DNC531
GTIN	4046356313001
Weight per piece (including packing)	42 g
Weight per piece (excluding packing)	42 g
Customs tariff number	85366990
Country of origin	DE

SUBCON-PLUS-PROFIB/PG/FC 90 - D-SUB bus connector



2313287

<https://www.phoenixcontact.com/us/products/2313287>

Technical data

Product properties

Product type	Data plug
Pin assignment	3, 5, 6, 8

Electrical properties

Nominal voltage U_N	60 V AC/DC
Nominal current I_N	1 A
Transmission medium	Copper

Connection data

D-SUB connection

Connection method	D-SUB connector
-------------------	-----------------

IDC terminal blocks

Connection method	IDC fast connection
Conductor cross-section, rigid min.	0.32 mm ²
Conductor cross-section AWG min.	22

Programming connection

Connection method	D-SUB socket
-------------------	--------------

Interfaces

Bus system	PROFIBUS DP
Signal	PROFIBUS

Dimensions

Dimensional drawing	
Width	16.8 mm
Height	34.8 mm
Length	69 mm

Material specifications

Material (Housing)	ABS (metal-plated)
--------------------	--------------------

Cable/line

External cable diameter	7.6 mm ... 8.4 mm (Incoming bus line)
-------------------------	---------------------------------------

SUBCON-PLUS-PROFIB/PG/FC 90 - D-SUB bus connector



2313287

<https://www.phoenixcontact.com/us/products/2313287>

Mechanical properties

Mechanical data

Insertion/withdrawal cycles	> 200
Fixing screws	4-40 UNC
Tightening torque	0.4 Nm

Environmental and real-life conditions

Ambient conditions

Degree of protection	IP20
Ambient temperature (operation)	-20 °C ... 75 °C
Ambient temperature (storage/transport)	-25 °C ... 80 °C

SUBCON-PLUS-PROFIB/PG/FC 90 - D-SUB bus connector

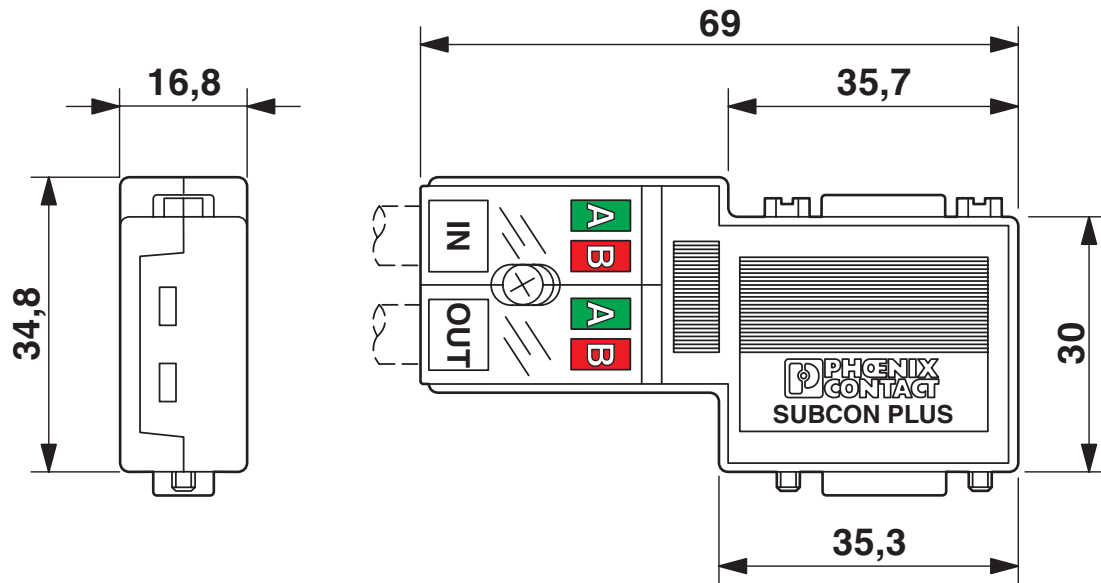


2313287

<https://www.phoenixcontact.com/us/products/2313287>

Drawings

Dimensional drawing



Dimensional drawing SUBCON-PLUS-PROFIB/...FC 90

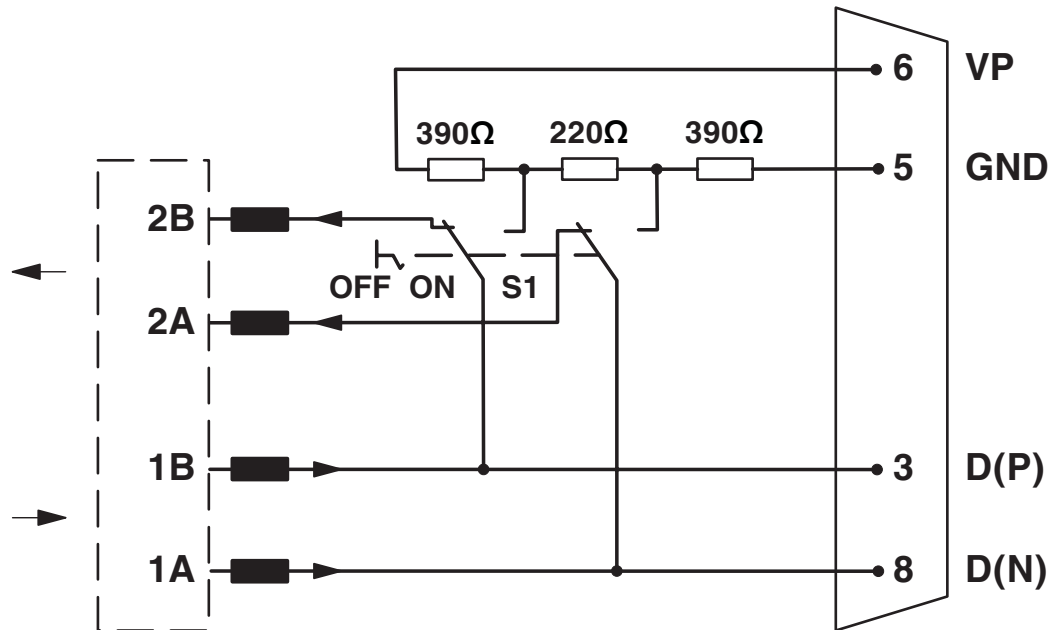
SUBCON-PLUS-PROFIB/PG/FC 90 - D-SUB bus connector



2313287

<https://www.phoenixcontact.com/us/products/2313287>

Circuit diagram



Functional diagram of the connector range
SUBCON-PLUS-PROFIB/...

SUBCON-PLUS-PROFIB/PG/FC 90 - D-SUB bus connector



2313287

<https://www.phoenixcontact.com/us/products/2313287>

Environmental product compliance

EU REACH SVHC

REACH candidate substance (CAS No.)	No substance above 0.1 wt%
-------------------------------------	----------------------------

Phoenix Contact 2026 © - all rights reserved

<https://www.phoenixcontact.com>

Phoenix Contact USA
586 Fulling Mill Road
Middletown, PA 17057, United States
(+717) 944-1300
info@phoenixcon.com