

# SUBCON-PLUS-PROFIB/FC 90 - D-SUB bus connector



2313274

<https://www.phoenixcontact.com/us/products/2313274>

Please be informed that the data shown in this PDF document is generated from our online catalog. Please find the complete data in the user documentation. Our general terms of use for downloads are valid.



D-SUB connector, 9-pos., pin, 90° cable outlet, bus system: PROFIBUS DP up to 12 Mbps, termination resistor can be switched on via slide switch, pin assignment: 3, 5, 6, 8; IDC terminal block connection

## Commercial data

Item number	2313274
Packing unit	1 pc
Note	Made to order (non-returnable)
Sales key	NULL
Product key	DNC531
GTIN	4046356313018
Weight per piece (including packing)	38 g
Weight per piece (excluding packing)	38 g
Customs tariff number	85366990
Country of origin	DE

# SUBCON-PLUS-PROFIB/FC 90 - D-SUB bus connector



2313274

<https://www.phoenixcontact.com/us/products/2313274>

## Technical data

### Product properties

Product type	Data plug
Pin assignment	3, 5, 6, 8

### Electrical properties

Nominal voltage $U_N$	60 V AC/DC
Nominal current $I_N$	1 A
Transmission medium	Copper

### Connection data

#### D-SUB connection

Connection method	D-SUB connector
-------------------	-----------------

#### IDC terminal blocks

Connection method	IDC fast connection
Conductor cross-section, rigid min.	0.32 mm <sup>2</sup>
Conductor cross-section AWG min.	22

### Interfaces

Bus system	PROFIBUS DP
Signal	PROFIBUS

### Dimensions

Dimensional drawing	
Width	16.8 mm
Height	34.8 mm
Length	69 mm

### Material specifications

Material (Housing)	ABS (metal-plated)
--------------------	--------------------

### Cable/line

External cable diameter	7.6 mm ... 8.4 mm (Incoming bus line)
-------------------------	---------------------------------------

### Mechanical properties

#### Mechanical data

# SUBCON-PLUS-PROFIB/FC 90 - D-SUB bus connector



2313274

<https://www.phoenixcontact.com/us/products/2313274>

Insertion/withdrawal cycles	> 200
Fixing screws	4-40 UNC
Tightening torque	0.4 Nm

## Environmental and real-life conditions

### Ambient conditions

Degree of protection	IP20
Ambient temperature (operation)	-20 °C ... 75 °C
Ambient temperature (storage/transport)	-25 °C ... 80 °C

# SUBCON-PLUS-PROFIB/FC 90 - D-SUB bus connector

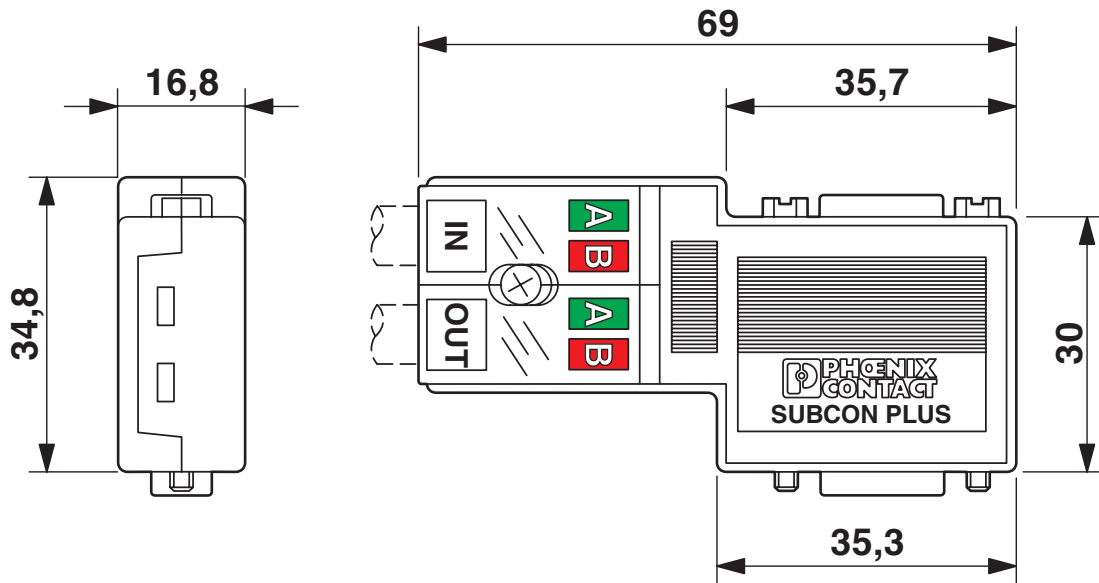


2313274

<https://www.phoenixcontact.com/us/products/2313274>

## Drawings

Dimensional drawing



Dimensional drawing SUBCON-PLUS-PROFIB/...FC 90

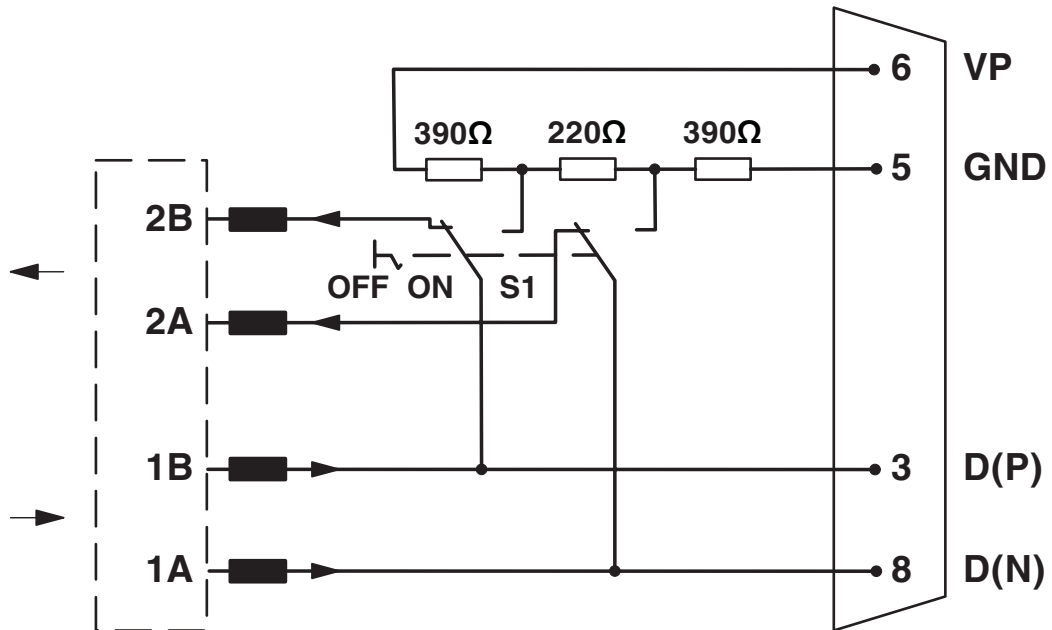
# SUBCON-PLUS-PROFIB/FC 90 - D-SUB bus connector



2313274

<https://www.phoenixcontact.com/us/products/2313274>

Circuit diagram



Functional diagram of the connector range  
SUBCON-PLUS-PROFIB/...

# SUBCON-PLUS-PROFIB/FC 90 - D-SUB bus connector



2313274

<https://www.phoenixcontact.com/us/products/2313274>

## Environmental product compliance

EU REACH SVHC

REACH candidate substance (CAS No.)	No substance above 0.1 wt%
-------------------------------------	----------------------------

Phoenix Contact 2026 © - all rights reserved

<https://www.phoenixcontact.com>

Phoenix Contact USA  
586 Fulling Mill Road  
Middletown, PA 17057, United States  
(+717) 944-1300  
[info@phoenixcon.com](mailto:info@phoenixcon.com)