

FL MC ETH/FO 660 T - FO converters



2313164

<https://www.phoenixcontact.com/us/products/2313164>

Please be informed that the data shown in this PDF document is generated from our online catalog. Please find the complete data in the user documentation. Our general terms of use for downloads are valid.



Ethernet T-coupler for converting from 2x RJ45 to 2x SC-RJ FO, 660 nm, 100 m distance with HCS fiber, for all network structures, redundancy with RSTP + FRD, configuration with WBM, IGMP snooping, multicast filtering, VLAN, SNMP, and port mirroring integrated.

Product description

The compact 4-port media converter facilitates the flexible and economic establishment of managed Ethernet networks in an automation environment. Thanks to its SCRJ connections and extended temperature range of -20°C to +55°C, it fulfills the requirements of industrial applications perfectly. Its integrated software enables networks to be established, diagnosed, and monitored on a redundant basis using IT standard protocols.

Your advantages

- Port mirroring
- Port prioritization with V-LAN 802.1Q
- SNMP traps and values
- Extended temperature range of -20 °C ... +55 °C
- Multicast filtering with IGMP snooping
- Redundant power supply
- Configuration via web-based management
- Alarm signal contacts
- Continuous fiber optic monitoring via LED bar graph
- Compact housing

Commercial data

Item number	2313164
Packing unit	1 pc
Minimum order quantity	1 pc
Product key	DNN121
GTIN	4046356477376
Weight per piece (including packing)	354 g
Weight per piece (excluding packing)	230 g
Country of origin	DE

Technical data

Notes

Note on application

Note on application	Only for industrial use
---------------------	-------------------------

Product properties

Product type	Media converter
Type	Book type

System properties

Functionality

Basic functions	Store-and-forward media converter standard-compliant IEEE 802.3 2, priority classes according to IEEE 802.1 P, TCP/IP protocol, BootP-compatible, port mirroring, integrated web server function, multicast filtering, IGMP snooping, VLAN, Rapid Spanning Tree (RSTP)
-----------------	--

System requirements

Supported browsers	Internet Explorer 5.5 or higher
--------------------	---------------------------------

Electrical properties

Local diagnostics	US Supply voltage Green LED
	Link status Green LED
	Telegrams received Yellow LED
Maximum power dissipation for nominal condition	9.6 W
Transmission medium	Copper

Supply

Supply voltage (DC)	24 V DC
Supply voltage range	18.5 V DC ... 30.5 V DC
Power supply connection	Via COMBICON, max. conductor cross-section 2.5 mm ²
Residual ripple	3.6 V _{PP} (within the permitted voltage range)
Typical current consumption	400 mA (at U _S = 24 V DC)

Function

Signal contact control voltage	24 V
--------------------------------	------

Interfaces

Signal	Ethernet
	PROFINET

Ethernet (RJ45)

Connection method	RJ45
Note on the connection method	Auto negotiation and autocrossing
Transmission speed	10/100 Mbps

Transmission physics	Copper
Transmission length	100 m (per segment)
No. of channels	2 (RJ45 ports)

POF/PCF

Connection method	SC-RJ
Transmission speed	10/100 Mbps (full duplex)
Transmission physics	POF-SCRJ
Transmission length	up to 250 m (depending on the fiber used)
No. of channels	2 (SC-RJ)

Signaling

Status display	2 status LEDs per Ethernet: activity and duplex mode, supply voltage U_{S1} and U_{S2} (redundant supply voltage) as well as LED BAR GRAPH for FO ports for displaying the system reserve for each optical interface.
----------------	---

Dimensions

Width	45 mm
Height	99 mm
Depth	123 mm

Material specifications

Color	green
Housing material	PA V0

Environmental and real-life conditions

Ambient conditions

Degree of protection	IP20
Ambient temperature (operation)	-20 °C ... 55 °C
Ambient temperature (storage/transport)	-40 °C ... 85 °C
Permissible humidity (operation)	10 % ... 95 % (non-condensing)
Permissible humidity (storage/transport)	10 % ... 95 % (non-condensing)
Vibration (operation)	in acc. with IEC 60068-2-6: 5g, 150 Hz

EMC data

Electromagnetic compatibility	Conformance with EMC directive 89/336/EC
Noise immunity	EN 61000-6-2:2005

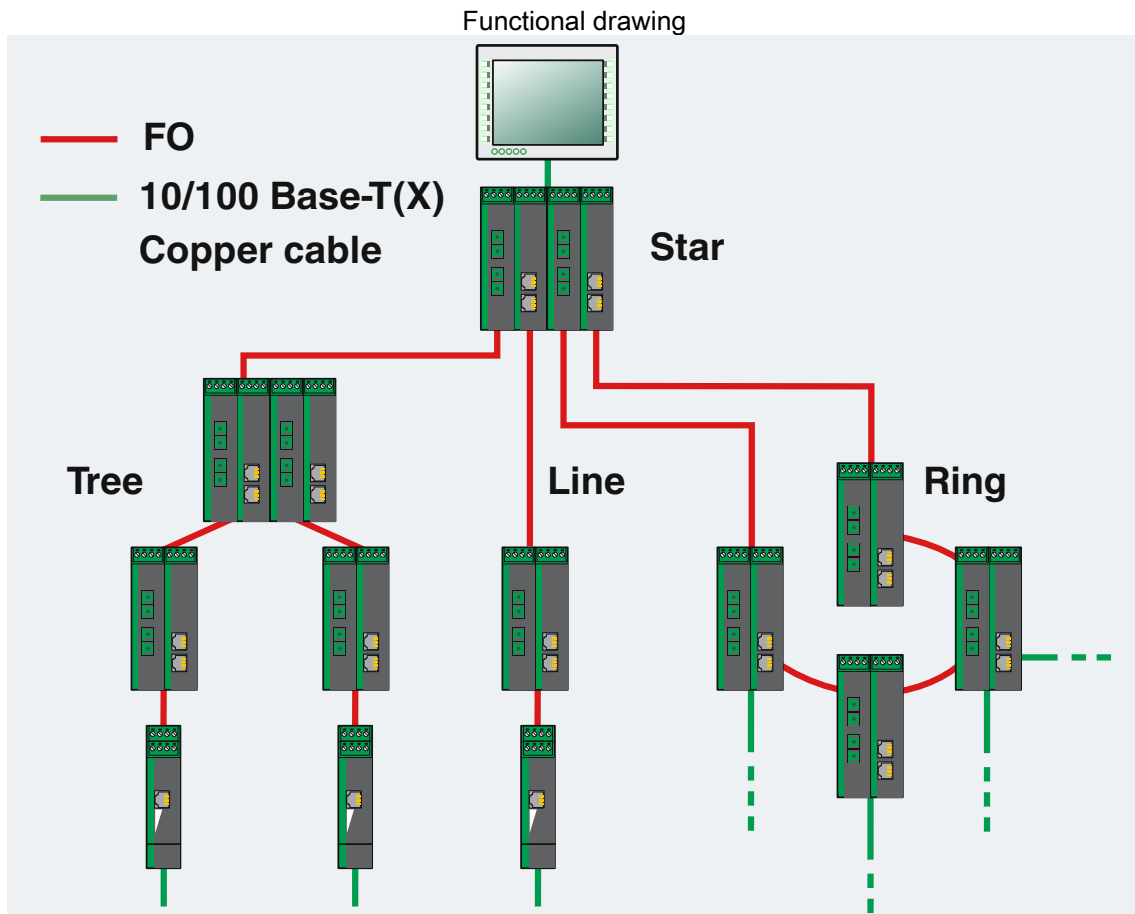
Noise emission

Standards/regulations	EN 61000-6-3/-4
-----------------------	-----------------

Mounting

Mounting type	DIN rail mounting
---------------	-------------------

Drawings



FL MC ETH/FO 660 T - FO converters



2313164

<https://www.phoenixcontact.com/us/products/2313164>

Classifications

ECLASS

ECLASS-13.0	19170411
ECLASS-15.0	19170411

ETIM

ETIM 10.0	EC001467
-----------	----------

UNSPSC

UNSPSC 21.0	43223323
-------------	----------

Environmental product compliance

China RoHS

Environment friendly use period (EFUP)	EFUP-50
	An article-related China RoHS declaration table can be found in the download area for the respective article under "Manufacturer declaration". For all articles with EFUP-E, no China RoHS declaration table issued and required.

EU REACH SVHC

REACH candidate substance (CAS No.)	No substance above 0.1 wt%
-------------------------------------	----------------------------

Phoenix Contact 2026 © - all rights reserved
<https://www.phoenixcontact.com>

Phoenix Contact USA
586 Fulling Mill Road
Middletown, PA 17057, United States
(+717) 944-1300
info@phoenixcon.com