

UM-2KS50/UNI/CS/Z/SO180 - Universal module



2311399

<https://www.phoenixcontact.com/us/products/2311399>

Please be informed that the data shown in this PDF document is generated from our online catalog. Please find the complete data in the user documentation. Our general terms of use for downloads are valid.

Universal module for connection with up to 32 channel digital Yokogawa cards, 1:1 connection of the Yokogawa system connector on spring-cage connection.



The figure shows a version with a screw connection

Commercial data

Item number	2311399
Packing unit	1 pc
Minimum order quantity	1 pc
Note	Made to order (non-returnable)
Sales key	C421
Product key	DK218N
GTIN	4046356317764
Weight per piece (including packing)	354 g
Weight per piece (excluding packing)	278.4 g
Customs tariff number	85369010
Country of origin	DE

Technical data

Product properties

Product type	Interface module
No. of channels	32

Insulation characteristics: Air clearances and creepage distances

Insulation	Functional insulation
Overvoltage category	II
Pollution degree	2

Electrical properties

Operating voltage (DC)	≤ 30 V DC
Current (per branch)	≤ 0.1 A

Air clearances and creepage distances

Rated insulation voltage	50 V
Rated surge voltage	0.5 kV (1.2/50 μs)

Supported controller: YOKOGAWA CS3000 CentumVP

Suitable I/O card	ADV151
	ADV161
	ADV551
	ADV561

Supported controller: YOKOGAWA STARDOM

Suitable I/O card	NFDV151
	NFDV161
	NFDV551
	NFDV561

Connection data

Connection 1 (control level)

Connection method	Yokogawa, KS compatible
Number of connections	2
Number of positions	50
Note	Usable system cables: Phoenix Contact YUC50, Yokogawa AKB331
Tightening torque	0.5 Nm
Pitch	2.54 mm

Connection 2 (field level)

Connection method	Spring-cage connection
Stripping length	7.5 mm
Number of positions	52

UM-2KS50/UNI/CS/Z/SO180 - Universal module



2311399

<https://www.phoenixcontact.com/us/products/2311399>

Conductor cross-section rigid	0.2 mm ² ... 2.5 mm ²
Conductor cross-section flexible	0.2 mm ² ... 1.5 mm ²
	0.25 mm ² ... 1.5 mm ² (Ferrule without plastic sleeve)
	0.25 mm ² ... 1.5 mm ² (Ferrule with plastic sleeve)
Conductor cross-section AWG	24 ... 14
Pitch	5.08 mm

Signaling

Status display present	no
------------------------	----

Dimensions

Item dimensions

Width	139.5 mm
Height	125.4 mm
Depth	65.8 mm

Environmental and real-life conditions

Ambient conditions

Degree of protection (Module)	IP00
Degree of protection (Installation location)	≤ IP54
Ambient temperature (operation)	-20 °C ... 50 °C
Ambient temperature (storage/transport)	-20 °C ... 70 °C
Altitude	≤ 2000 m

Approvals

UKCA

Certificate	UKCA-compliant
-------------	----------------

Standards and regulations

Air clearances and creepage distances

Standards/regulations	EN IEC 60664-1
-----------------------	----------------

Mounting

Mounting type	DIN rail mounting
Mounting position	any

Notes

Notes on operation	For proper use, the specifications of the installation directive (see Downloads) must be observed. For applications or use with third-party products, the specifications, and the safety and warning instructions of the respective third-party manufacturer must also be met.
--------------------	--

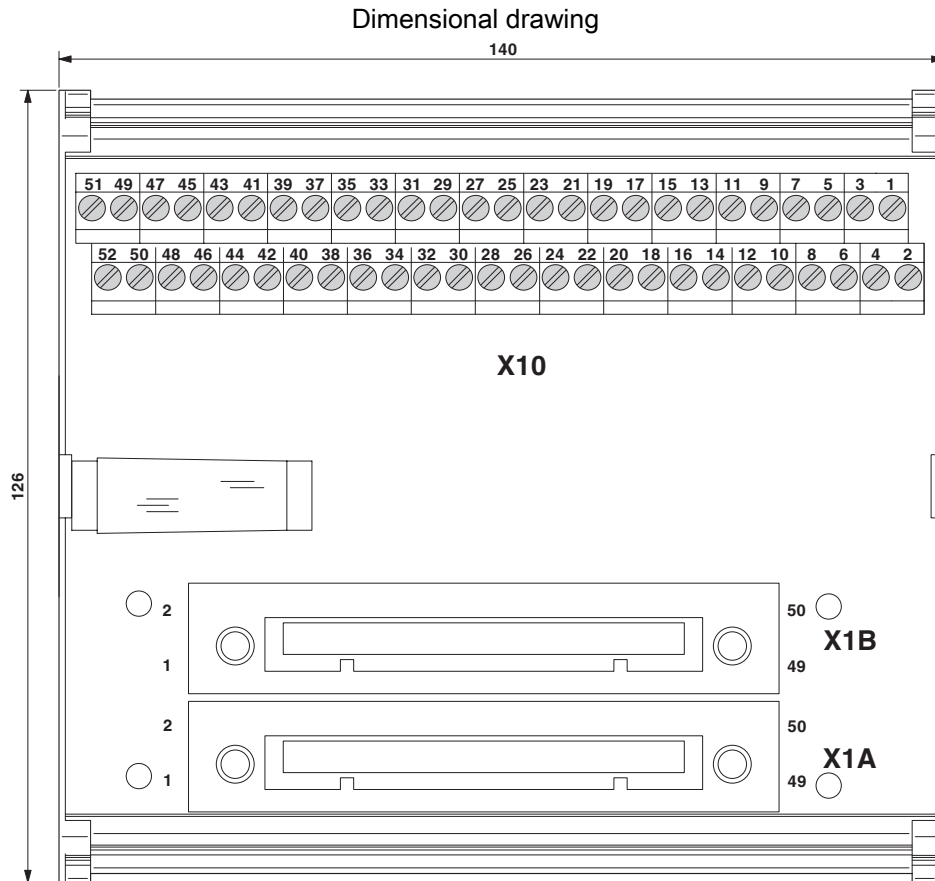
UM-2KS50/UNI/CS/Z/SO180 - Universal module



2311399

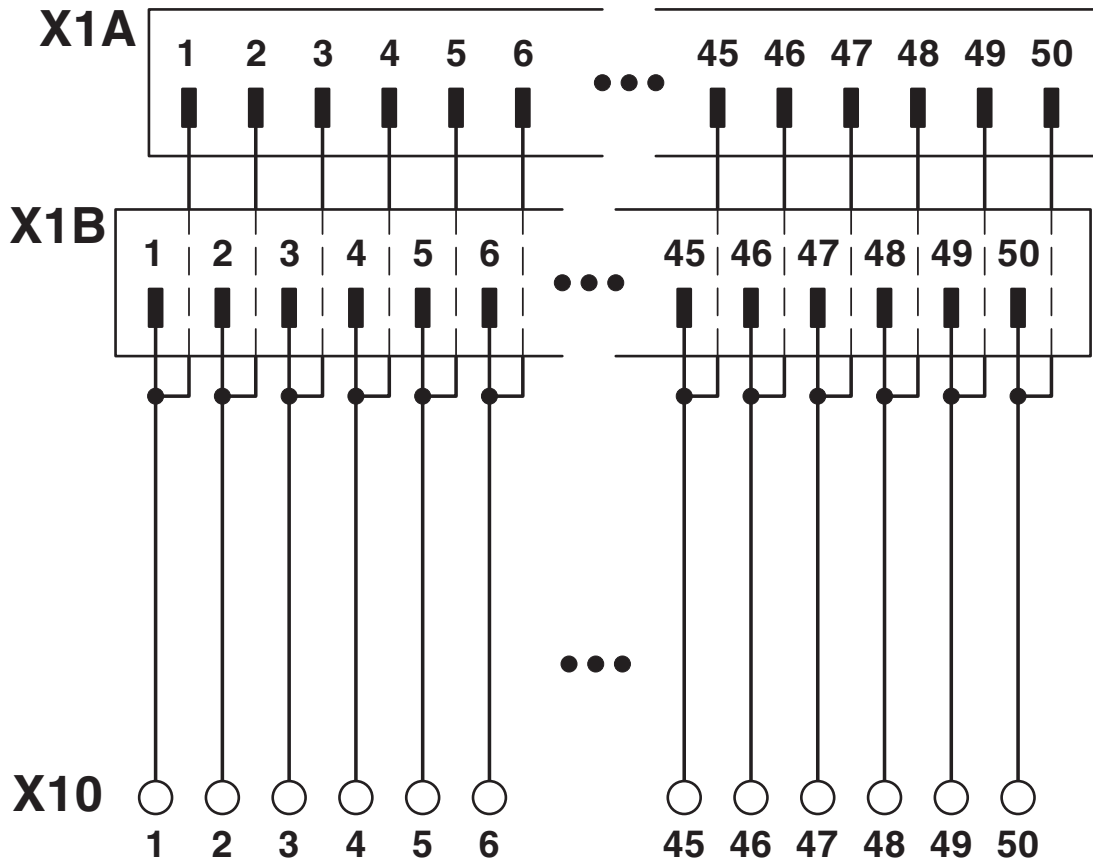
<https://www.phoenixcontact.com/us/products/2311399>

Drawings



The figure shows a version with a screw connection

Circuit diagram



UM-2KS50/UNI/CS/Z/SO180 - Universal module



2311399

<https://www.phoenixcontact.com/us/products/2311399>

Classifications

ECLASS

ECLASS-13.0	27141152
ECLASS-15.0	27141152

ETIM

ETIM 9.0	EC002780
----------	----------

UNSPSC

UNSPSC 21.0	39121400
-------------	----------

UM-2KS50/UNI/CS/Z/SO180 - Universal module



2311399

<https://www.phoenixcontact.com/us/products/2311399>

Environmental product compliance

China RoHS

Environment friendly use period (EFUP)	EFUP-E
	No hazardous substances above the limits

EU REACH SVHC

REACH candidate substance (CAS No.)	Lead(CAS: 7439-92-1)
-------------------------------------	----------------------

Phoenix Contact 2026 © - all rights reserved
<https://www.phoenixcontact.com>

Phoenix Contact USA
586 Fulling Mill Road
Middletown, PA 17057, United States
(+717) 944-1300
info@phoenixcon.com