

# SUBCON-PLUS-MODBUS/IL/BK - D-SUB bus connector



2310808

<https://www.phoenixcontact.com/us/products/2310808>

Please be informed that the data shown in this PDF document is generated from our online catalog. Please find the complete data in the user documentation. Our general terms of use for downloads are valid.



D-SUB connector, 9-pos., male connector, two 35° cable entries, bus system: for Inline Modbus RTU/ASCII bus coupler termination resistance can be connected via slide switch, pin assignment: 3, 5, 6, 8; screw connection terminal blocks

## Your advantages

- Change to the D-SUB orientation through a reversible connection block

## Commercial data

Item number	2310808
Packing unit	1 pc
Minimum order quantity	1 pc
Sales key	DN10
Product key	DNC512
GTIN	4046356124461
Weight per piece (including packing)	41.75 g
Weight per piece (excluding packing)	41.8 g
Customs tariff number	85366990
Country of origin	DE

# SUBCON-PLUS-MODBUS/IL/BK - D-SUB bus connector



2310808

<https://www.phoenixcontact.com/us/products/2310808>

## Technical data

### Notes

#### Note on application

Note on application	Only for industrial use
---------------------	-------------------------

### Product properties

Product type	Data plug
MTTF	6706 Years (SN 29500 standard, temperature 25°C, operating cycle 21%)
	1817 Years (SN 29500 standard, temperature 40°C, operating cycle 34.25%)
	155 Years (SN 29500 standard, temperature 40°C, operating cycle 100%)
Pin assignment	3, 5, 6, 8

### Electrical properties

Nominal voltage $U_N$	5 V
Nominal current $I_N$	100 mA

### Connection data

#### D-SUB connection

Connection method	D-SUB connector
-------------------	-----------------

#### PCB connection

Connection method	Screw connection
Stripping length	5 mm
Conductor cross-section, rigid min.	0.14 mm <sup>2</sup>
Conductor cross-section, rigid max.	0.5 mm <sup>2</sup>
Conductor cross-section flexible min.	0.14 mm <sup>2</sup>
Conductor cross-section flexible max.	0.5 mm <sup>2</sup>
Single-wire/terminal point, rigid AWG min.	26
Single-wire/terminal point, rigid AWG max.	20
Min. AWG conductor cross-section, flexible	26
Max. AWG conductor cross-section, flexible	20
Tightening torque	0.22 Nm ... 0.25 Nm

### Interfaces

Signal	Modbus
--------	--------

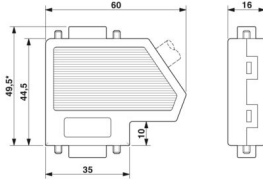
### Dimensions

# SUBCON-PLUS-MODBUS/IL/BK - D-SUB bus connector



2310808

<https://www.phoenixcontact.com/us/products/2310808>

Dimensional drawing	
Width	16 mm
Height	49.5 mm
Length	60 mm

## Material specifications

Color (Housing)	white aluminium (RAL 9006)
Material (Housing)	ABS (metal-plated)

## Cable/line

External cable diameter	7.6 mm ... 10 mm (Incoming bus line)
-------------------------	--------------------------------------

## Mechanical properties

### Mechanical data

Insertion/withdrawal cycles	> 200
Fixing screws	4-40 UNC
Tightening torque	0.4 Nm

## Mechanical tests

Vibration resistance in accordance with EN 60068-2-6/IEC 60068-2-6	Vibration (operation): 5g, 10...150 Hz, 2.5 h, in XYZ direction
Shock in accordance with EN 60068-2-27/IEC 60068-2-27	Shock (operation): 15g, 11 ms period, half-sine shock pulse

## Environmental and real-life conditions

### Ambient conditions

Degree of protection	IP40
Ambient temperature (operation)	-20 °C ... 75 °C
Ambient temperature (storage/transport)	-25 °C ... 80 °C
Altitude	≤ 5000 m (For restrictions, see the manufacturer's declaration for altitude operation)
Permissible humidity (operation)	10 % ... 95 % (non-condensing)
Permissible humidity (storage/transport)	5 % ... 95 % (non-condensing)

## Approvals

### Corrosive gas test

Identification	ISA-S71.04-1985 G3 Harsh Group A
----------------	----------------------------------

## Standards and regulations

Free from substances that could impair the application of coating	VDMA 24364:2018-05
---	--------------------

# SUBCON-PLUS-MODBUS/IL/BK - D-SUB bus connector

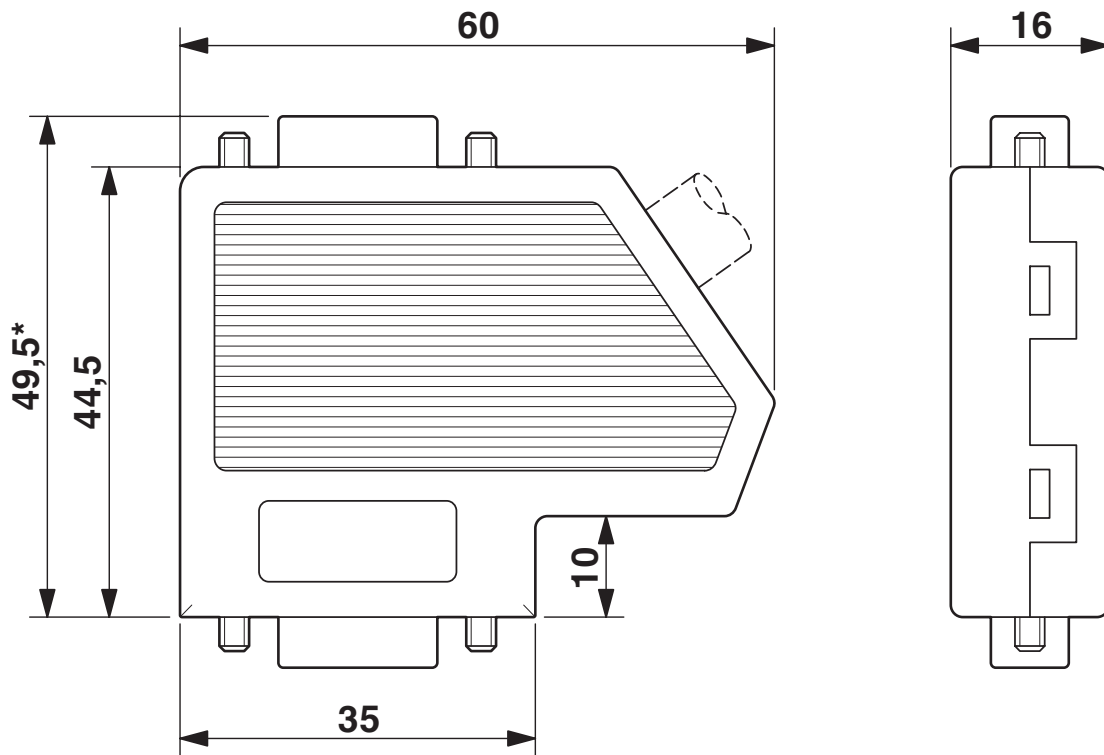


2310808

<https://www.phoenixcontact.com/us/products/2310808>

## Drawings

Dimensional drawing



Dimensional drawing

# SUBCON-PLUS-MODBUS/IL/BK - D-SUB bus connector



2310808

<https://www.phoenixcontact.com/us/products/2310808>

## Approvals

To download certificates, visit the product detail page: <https://www.phoenixcontact.com/us/products/2310808>



**cUL Recognized**  
Approval ID: E238705



**UL Recognized**  
Approval ID: E238705

# SUBCON-PLUS-MODBUS/IL/BK - D-SUB bus connector



2310808

<https://www.phoenixcontact.com/us/products/2310808>

## Classifications

### ECLASS

ECLASS-13.0	27440302
ECLASS-15.0	27440322

### ETIM

ETIM 10.0	EC001132
-----------	----------

### UNSPSC

UNSPSC 21.0	39121400
-------------	----------

# SUBCON-PLUS-MODBUS/IL/BK - D-SUB bus connector



2310808

<https://www.phoenixcontact.com/us/products/2310808>

## Environmental product compliance

### EU RoHS

Fulfills EU RoHS substance requirements	Yes
Exemption	7(c)-I

### China RoHS

Environment friendly use period (EFUP)	EFUP-50
	An article-related China RoHS declaration table can be found in the download area for the respective article under "Manufacturer declaration". For all articles with EFUP-E, no China RoHS declaration table issued and required.

### EU REACH SVHC

REACH candidate substance (CAS No.)	No substance above 0.1 wt%
-------------------------------------	----------------------------

Phoenix Contact 2026 © - all rights reserved  
<https://www.phoenixcontact.com>

Phoenix Contact USA  
586 Fulling Mill Road  
Middletown, PA 17057, United States  
(+717) 944-1300  
[info@phoenixcon.com](mailto:info@phoenixcon.com)