

MCR-SL-CUC-300-U - Universal current transducer



2308302

<https://www.phoenixcontact.com/us/products/2308302>

Please be informed that the data shown in this PDF document is generated from our online catalog. Please find the complete data in the user documentation. Our general terms of use for downloads are valid.



Universal current transducer, for measuring DC, AC, and distorted currents, 0 ... 300 A input current, 0 ... 10 V output

Your advantages

- Variable mounting on DIN rail and mounting panel
- Compact dimensions also enable distributed use
- Simple connection technology thanks to COMBICON plug-in connection terminal blocks
- 3-way isolation
- Universal current measurement, no shunt required

Commercial data

Item number	2308302
Packing unit	1 pc
Minimum order quantity	1 pc
Sales key	C444
Product key	CMMA32
GTIN	4046356569750
Weight per piece (including packing)	295 g
Weight per piece (excluding packing)	260 g
Customs tariff number	90303370
Country of origin	CN

Technical data

Product properties

Product type	Current measuring transducer
--------------	------------------------------

Insulation characteristics

Overvoltage category	III
Pollution degree	2

Electrical properties

Linearity error	$<\pm 1\%$ (From the range end value)
Maximum power dissipation for nominal condition	1 W
Step response (10-90%)	150 ms
Temperature coefficient, typical	0.02 %/K (0 °C ... 60 °C) 0.04 %/K (-40 °C ... 65 °C)
Maximum transmission error	$<\pm 1\%$ (of final value)
Rated insulation voltage	300 V AC

Electrical isolation Input/output

Test voltage	3.5 kV AC (50 Hz, 60 s)
--------------	-------------------------

Electrical isolation Input/power supply

Test voltage	3.5 kV AC (50 Hz, 60 s)
--------------	-------------------------

Supply

Nominal supply voltage	24 V DC
Supply voltage range	20 V DC ... 30 V DC
Max. current consumption	30 mA

Input data

Measurement

Number of inputs	1
Configurable/programmable	no
Input current range	0 A AC/DC ... 300 A AC/DC
Overload capacity	$3.33 \times I_{IN}$
Frequency measuring range	20 Hz ... 6000 Hz (0 Hz)
Curve type	AC, DC or distorted currents

Output data

Signal: Voltage

Voltage output signal	0 V ... 10 V
Load/output load voltage output	$\geq 10\text{ k}\Omega$

Connection data

Connection method	Push-in connection
-------------------	--------------------

MCR-SL-CUC-300-U - Universal current transducer



2308302

<https://www.phoenixcontact.com/us/products/2308302>

Stripping length	10 mm
Conductor cross-section rigid	0.25 mm ² ... 2.5 mm ²
Conductor cross-section flexible	0.2 mm ² ... 2.5 mm ²
Conductor cross-section AWG	24 ... 12
Connection method	Through connection

Dimensions

Item dimensions

Width	90 mm
Height	33.8 mm
Depth	85 mm

Circular conductor

Diameter	32 mm
----------	-------

Material specifications

Color	green (RAL 6021)
Housing material	Frianyl B63 V0 GV30

Environmental and real-life conditions

Ambient conditions

Degree of protection	IP20
Ambient temperature (operation)	-40 °C ... 65 °C
Ambient temperature (storage/transport)	-40 °C ... 85 °C

Approvals

CE

Certificate	CE-compliant
-------------	--------------

UL, USA/Canada

Identification	UL/C-UL Listed UL 508
----------------	-----------------------

Mounting

Mounting type	DIN rail mounting
---------------	-------------------

MCR-SL-CUC-300-U - Universal current transducer

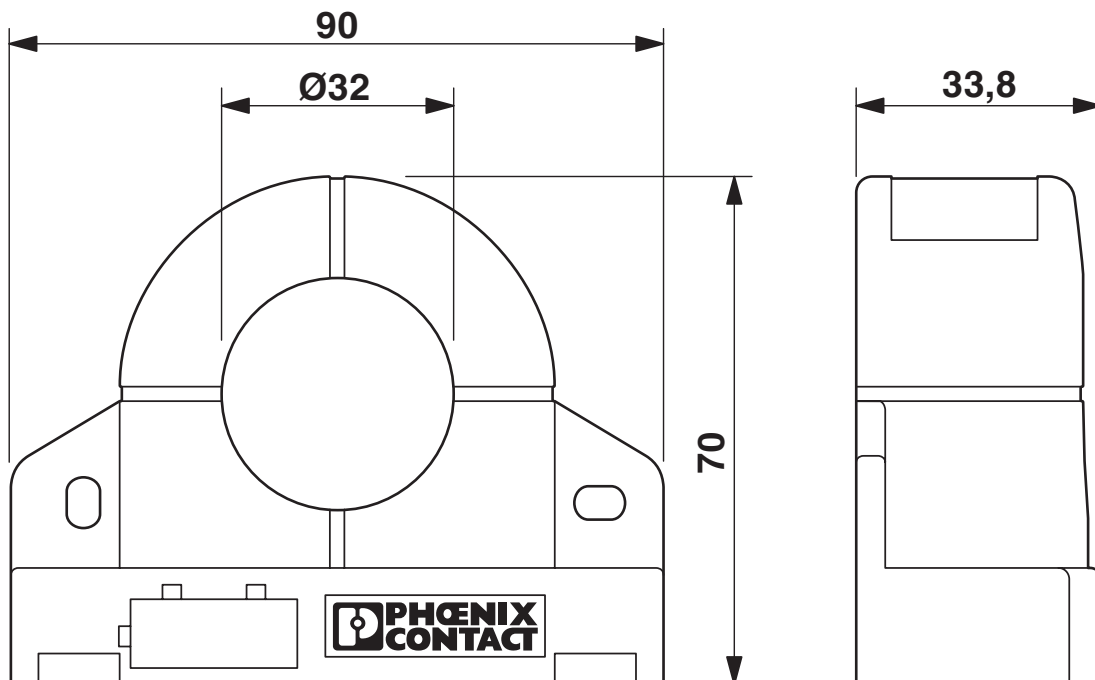
2308302

<https://www.phoenixcontact.com/us/products/2308302>



Drawings

Dimensional drawing



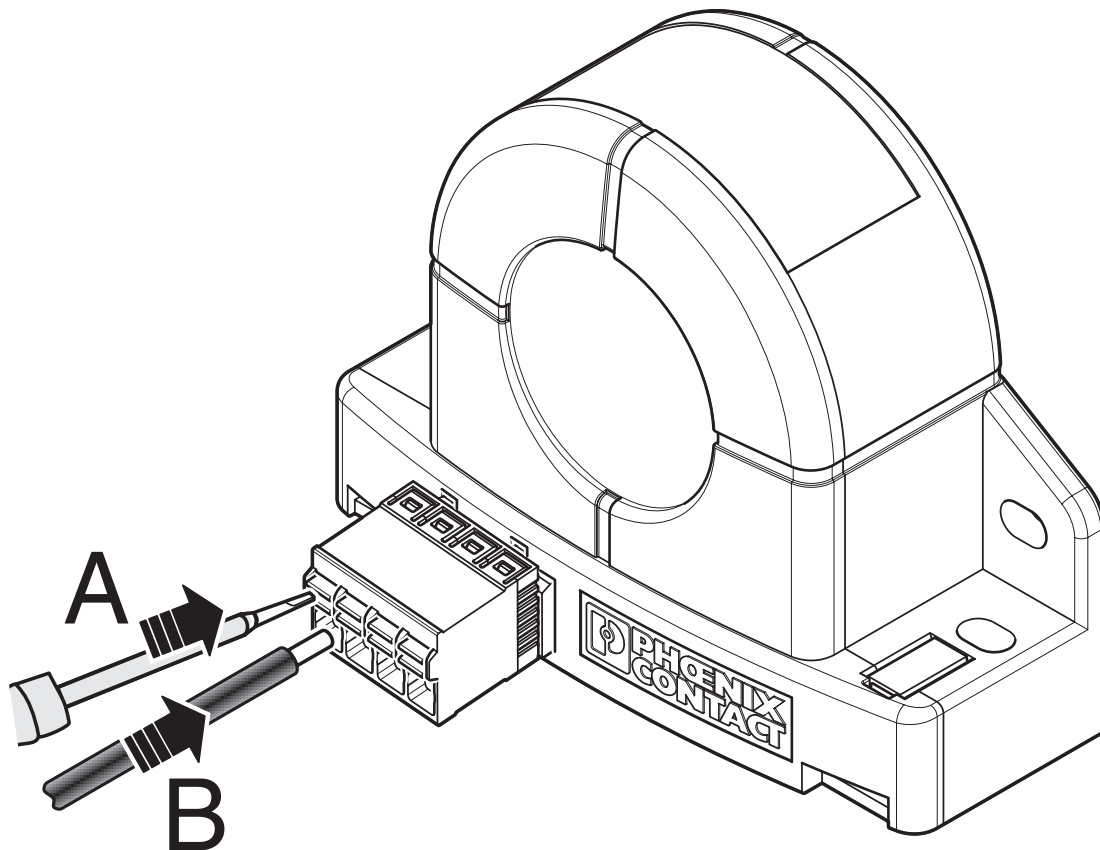
MCR-SL-CUC-300-U - Universal current transducer



2308302

<https://www.phoenixcontact.com/us/products/2308302>

Schematic diagram



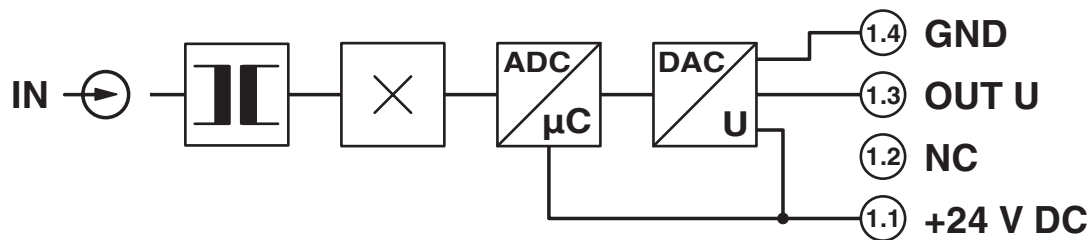
MCR-SL-CUC-300-U - Universal current transducer



2308302

<https://www.phoenixcontact.com/us/products/2308302>

Circuit diagram



MCR-SL-CUC-300-U - Universal current transducer



2308302

<https://www.phoenixcontact.com/us/products/2308302>

Approvals

To download certificates, visit the product detail page: <https://www.phoenixcontact.com/us/products/2308302>



EAC

Approval ID: RU*DE.*08.B.01852-19



cULus Listed

Approval ID: E123528-20110617

MCR-SL-CUC-300-U - Universal current transducer



2308302

<https://www.phoenixcontact.com/us/products/2308302>

Classifications

ECLASS

ECLASS-13.0	27210123
ECLASS-15.0	27210123

ETIM

ETIM 10.0	EC002475
-----------	----------

UNSPSC

UNSPSC 21.0	39121000
-------------	----------

MCR-SL-CUC-300-U - Universal current transducer



2308302

<https://www.phoenixcontact.com/us/products/2308302>

Environmental product compliance

EU RoHS

Fulfills EU RoHS substance requirements	Yes, No exemptions
---	--------------------

China RoHS

Environment friendly use period (EFUP)	EFUP-E
	No hazardous substances above the limits

EU REACH SVHC

REACH candidate substance (CAS No.)	No substance above 0.1 wt%
-------------------------------------	----------------------------

Phoenix Contact 2026 © - all rights reserved
<https://www.phoenixcontact.com>

Phoenix Contact USA
586 Fulling Mill Road
Middletown, PA 17057, United States
(+717) 944-1300
info@phoenixcon.com