

MACX MCR-S-MUX-TB - HART transfer board



2308124

<https://www.phoenixcontact.com/us/products/2308124>

Please be informed that the data shown in this PDF document is generated from our online catalog. Please find the complete data in the user documentation. Our general terms of use for downloads are valid.

The HART termination board is used to apply the signals from the HART-compatible signal converters or field devices and transmit them to the MACX MCR-S-MUX HART multiplexer.



Commercial data

Item number	2308124
Packing unit	1 pc
Minimum order quantity	1 pc
Sales key	C402
Product key	DK114W
GTIN	4046356579162
Weight per piece (including packing)	232.5 g
Weight per piece (excluding packing)	220.2 g
Customs tariff number	85437090
Country of origin	DE

2308124

<https://www.phoenixcontact.com/us/products/2308124>

Technical data

Product properties

Product type	Multiplexer
Product family	MACX Analog
No. of channels	16

Electrical properties

Reverse polarity protection	yes
Supply	
Nominal supply voltage	24 V DC
Supply voltage range	19 V ... 31.2 V

Input data

Signal	
Description of the input	HART
Input signal	Current
Current input signal	4 mA ... 20 mA (HART)

Output data

Signal	
Output description	HART
Current output signal	4 mA ... 20 mA (HART)

Connection data

Supply	
Connection method	Screw terminal blocks
Conductor cross-section rigid	0.2 mm ² ... 4 mm ²
Conductor cross-section rigid (2 conductors with same cross section)	0.2 mm ² ... 1 mm ²
Conductor cross-section flexible	0.2 mm ² ... 2.5 mm ²
	0.25 mm ² ... 2.5 mm ² (Ferrule without plastic sleeve)
	0.25 mm ² ... 1.5 mm ² (Ferrule with plastic sleeve)
Conductor cross-section flexible (2 conductors with same cross section)	0.2 mm ² ... 1.5 mm ²
	0.25 mm ² ... 0.5 mm ² (Ferrule without / with plastic sleeve)

Signal level	
Connection method	Screw terminal blocks
Conductor cross-section rigid	0.14 mm ² ... 1.5 mm ²
Conductor cross-section rigid (2 conductors with same cross section)	0.08 mm ² ... 0.5 mm ²
Conductor cross-section flexible	0.14 mm ² ... 1.5 mm ²
	0.25 mm ² ... 0.5 mm ² (Ferrule without / with plastic sleeve)

MACX MCR-S-MUX-TB - HART transfer board



2308124

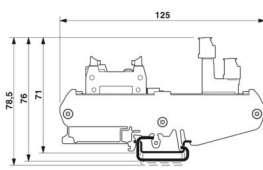
<https://www.phoenixcontact.com/us/products/2308124>

	0.25 mm ² ... 1.5 mm ² (Ferrule without / with plastic sleeve)
Conductor cross-section flexible (2 conductors with same cross section)	0.08 mm ² ... 0.75 mm ²
	0.25 mm ² ... 0.34 mm ² (Ferrule without plastic sleeve)

Ex data

Ex installation (EPL)	Gc
-----------------------	----

Dimensions

Dimensional drawing	
Width	80 mm
Height	70 mm
Depth	125 mm

Material specifications

Flammability rating according to UL 94	V0
Housing material	PA 6.6

Environmental and real-life conditions

Ambient conditions

Degree of protection	IP20 (Terminal blocks)
	IP00 (Housing)
Ambient temperature (operation)	-20 °C ... 70 °C
Ambient temperature (storage/transport)	-40 °C ... 80 °C
Altitude	≤ 2000 m
Permissible humidity (operation)	≤ 95 % (non-condensing)

Approvals

ATEX

Identification	Ⓔ II 3 G Ex ec IIC T4 Gc
----------------	--------------------------

IECEX

Identification	Ex ec IIC T4 Gc
----------------	-----------------

Safety Integrity Level (SIL, IEC 61508)

Identification	3
----------------	---

EMC data

Electromagnetic compatibility	Tested in accordance with the following standards and regulations: EN 61326-1 For industrial use, NAMUR NE 21
-------------------------------	---

MACX MCR-S-MUX-TB - HART transfer board



2308124

<https://www.phoenixcontact.com/us/products/2308124>

Mounting

Mounting type	DIN rail mounting/panel mounting
Mounting position	vertical, horizontal

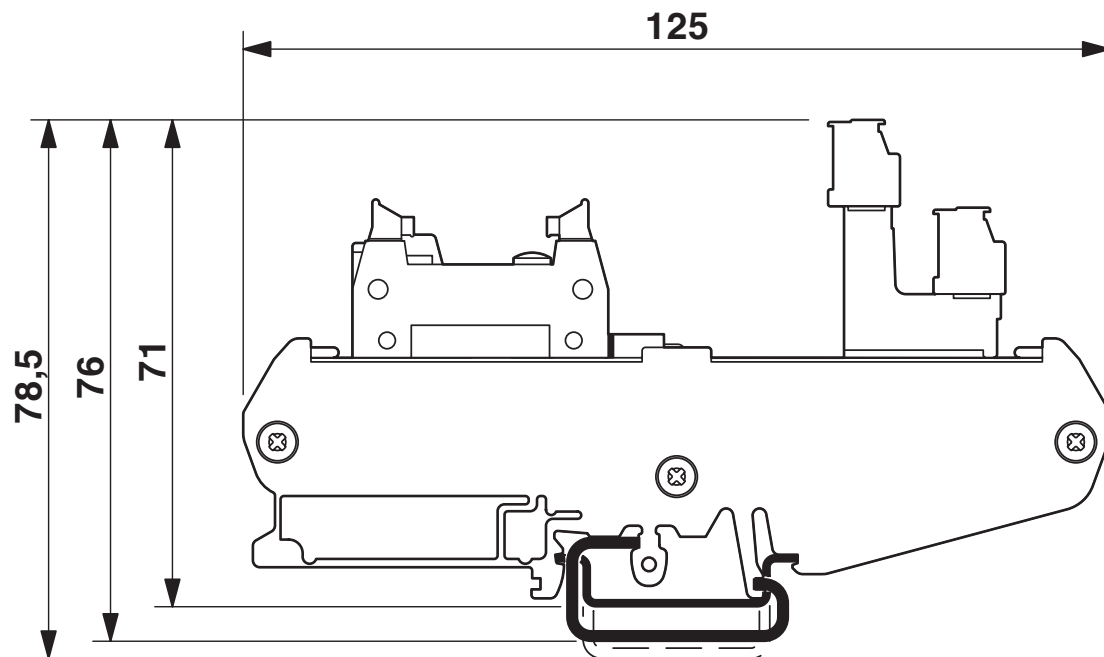
MACX MCR-S-MUX-TB - HART transfer board

2308124

<https://www.phoenixcontact.com/us/products/2308124>

Drawings

Dimensional drawing



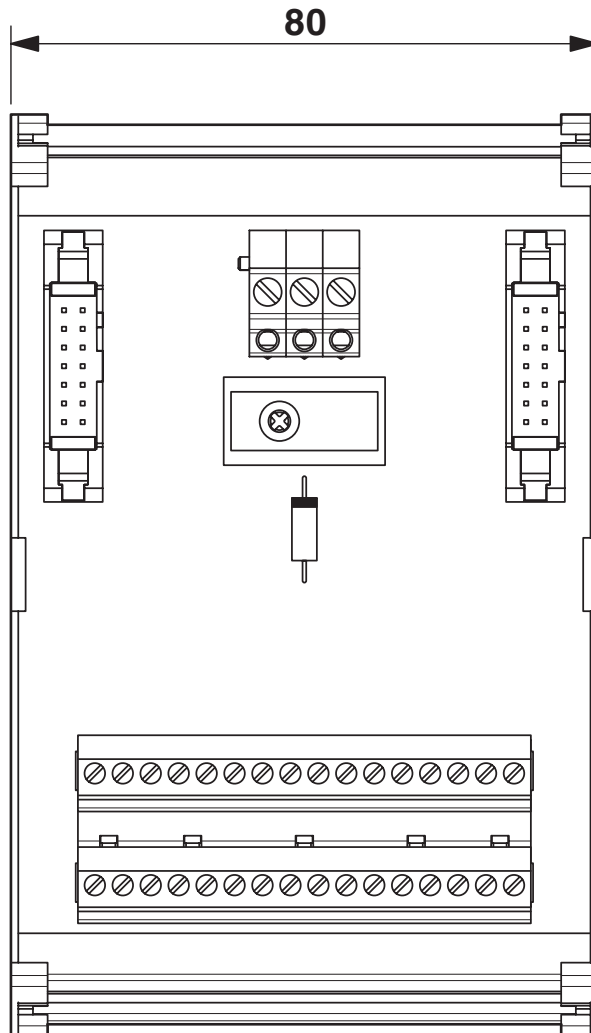
MACX MCR-S-MUX-TB - HART transfer board

2308124

<https://www.phoenixcontact.com/us/products/2308124>



Dimensional drawing



MACX MCR-S-MUX-TB - HART transfer board



2308124

<https://www.phoenixcontact.com/us/products/2308124>

Approvals

To download certificates, visit the product detail page: <https://www.phoenixcontact.com/us/products/2308124>



EAC

Approval ID: RU*DE.*08.B.01608/19

MACX MCR-S-MUX-TB - HART transfer board



2308124

<https://www.phoenixcontact.com/us/products/2308124>

Classifications

ECLASS

ECLASS-13.0	27141152
ECLASS-15.0	27141152

ETIM

ETIM 10.0	EC002780
-----------	----------

UNSPSC

UNSPSC 21.0	39121400
-------------	----------

MACX MCR-S-MUX-TB - HART transfer board



2308124

<https://www.phoenixcontact.com/us/products/2308124>

Environmental product compliance

EU RoHS

Fulfills EU RoHS substance requirements	Yes, No exemptions
---	--------------------

China RoHS

Environment friendly use period (EFUP)	EFUP-50
	An article-related China RoHS declaration table can be found in the download area for the respective article under "Manufacturer declaration". For all articles with EFUP-E, no China RoHS declaration table issued and required.

EU REACH SVHC

REACH candidate substance (CAS No.)	No substance above 0.1 wt%
-------------------------------------	----------------------------

Phoenix Contact 2026 © - all rights reserved

<https://www.phoenixcontact.com>

Phoenix Contact USA
586 Fulling Mill Road
Middletown, PA 17057, United States
(+717) 944-1300
info@phoenixcon.com