

# SUBCON-PLUS-CAN/AX - D-SUB bus connector



2306566

<https://www.phoenixcontact.com/us/products/2306566>

Please be informed that the data shown in this PDF document is generated from our online catalog. Please find the complete data in the user documentation. Our general terms of use for downloads are valid.



D-SUB connector, 9-pos. female connector, axial version with two cable entries, bus system: CAN, CANopen, SafetyBUS p; pin assignment: 2, 3, 7; screw connection terminal blocks

## Product description

The SUBCON-PLUS-CAN/... D-SUB series is specifically designed for use in CAN systems. Under field conditions, it enables the quick and easy connection of the incoming and outgoing bus line. The terminating resistor is already integrated in all versions. It can be connected externally by means of a slide switch. At the same time, the outgoing bus segment is switched off. This makes it easy to start up segment by segment while incorrect terminations are avoided.

## Your advantages

- Separate terminal blocks for bus cables
- Segment-by-segment startup
- High transmission speed
- Assembly under field conditions
- Flexibility in terms of cable entry selection
- High level of EMC
- Suitable for bus cables according to CiA Draft Recommendation 303-1 with an outside diameter of 8 mm
- Termination resistor can be connected



## Commercial data

Item number	2306566
Packing unit	1 pc
Minimum order quantity	1 pc

# SUBCON-PLUS-CAN/AX - D-SUB bus connector



2306566

<https://www.phoenixcontact.com/us/products/2306566>

Sales key	DN10
Product key	DNC541
GTIN	4017918962906
Weight per piece (including packing)	38.32 g
Weight per piece (excluding packing)	38.8 g
Customs tariff number	85366990
Country of origin	DE

# SUBCON-PLUS-CAN/AX - D-SUB bus connector



2306566

<https://www.phoenixcontact.com/us/products/2306566>

## Technical data

### Notes

#### Note on application

Note on application	Only for industrial use
---------------------	-------------------------

#### Utilization restriction

CCCex note	Use in potentially explosive areas is not permitted in China.
------------	---

### Product properties

Product type	Data plug
MTTF	6706 Years (SN 29500 standard, temperature 25°C, operating cycle 21%)
	1817 Years (SN 29500 standard, temperature 40°C, operating cycle 34.25%)
	155 Years (SN 29500 standard, temperature 40°C, operating cycle 100%)
Pin assignment	2, 3, 7

### Electrical properties

Nominal voltage $U_N$	5 V
Nominal current $I_N$	100 mA

### Connection data

Tightening torque	... 0.4 Nm
-------------------	------------

#### D-SUB connection

Connection method	D-SUB socket
Tightening torque	0.4 Nm

#### PCB connection

Connection method	Screw connection
Stripping length	5 mm
Conductor cross-section, rigid min.	0.14 mm <sup>2</sup>
Conductor cross-section, rigid max.	0.5 mm <sup>2</sup>
Conductor cross-section flexible min.	0.14 mm <sup>2</sup>
Conductor cross-section flexible max.	0.5 mm <sup>2</sup>
Single-wire/terminal point, rigid AWG min.	26
Single-wire/terminal point, rigid AWG max.	20
Min. AWG conductor cross-section, flexible	26
Max. AWG conductor cross-section, flexible	20
Tightening torque	0.12 Nm ... 0.15 Nm

### Interfaces

Bus system	CAN, CANopen, SafetyBus-P
------------	---------------------------

# SUBCON-PLUS-CAN/AX - D-SUB bus connector

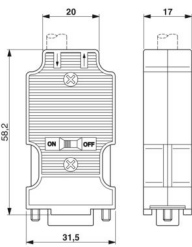


2306566

<https://www.phoenixcontact.com/us/products/2306566>

Signal	CAN
	CANopen®
	SafetyBUS p

## Dimensions

Dimensional drawing	
Width	17 mm
Height	31.5 mm
Length	58.2 mm

## Material specifications

Color (Housing)	white aluminium (RAL 9006)
Material (Housing)	ABS (metal-plated)

## Cable/line

External cable diameter	7.6 mm ... 8.4 mm (Incoming bus line)
-------------------------	---------------------------------------

## Mechanical properties

### Mechanical data

Insertion/withdrawal cycles	> 200
Fixing screws	4-40 UNC
Tightening torque	0.4 Nm

## Mechanical tests

Vibration resistance in accordance with EN 60068-2-6/IEC 60068-2-6	: 5g, 10...150 Hz, 2.5 h, in XYZ direction
Shock in accordance with EN 60068-2-27/IEC 60068-2-27	: 15g, 11 ms period, half-sine shock pulse

## Environmental and real-life conditions

### Ambient conditions

Degree of protection	IP40
Ambient temperature (operation)	-20 °C ... 75 °C
Ambient temperature (storage/transport)	-25 °C ... 80 °C
Altitude	≤ 5000 m (For restrictions, see the manufacturer's declaration for altitude operation)
Permissible humidity (operation)	10 % ... 95 % (non-condensing)
Permissible humidity (storage/transport)	5 % ... 95 % (non-condensing)

# SUBCON-PLUS-CAN/AX - D-SUB bus connector



2306566

<https://www.phoenixcontact.com/us/products/2306566>

## Approvals

### ATEX

Identification	Ⓜ II 3 G Ex ec IIC T4 Gc
Certificate	PxCIF14ATEX2744694X
Note	Please follow the special installation instructions in the documentation!

### Corrosive gas test

Identification	ISA-S71.04-1985 G3 Harsh Group A
----------------	----------------------------------

## Standards and regulations

Free from substances that could impair the application of coating	VDMA 24364:2018-05
---	--------------------

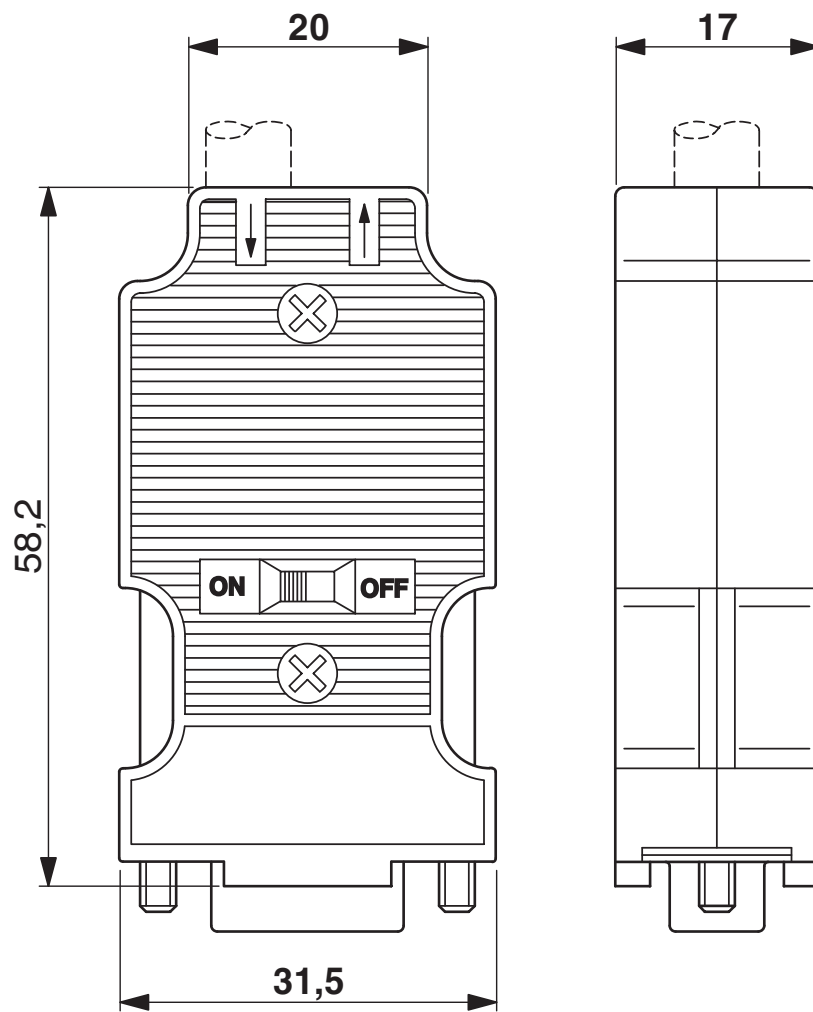
# SUBCON-PLUS-CAN/AX - D-SUB bus connector

2306566

<https://www.phoenixcontact.com/us/products/2306566>

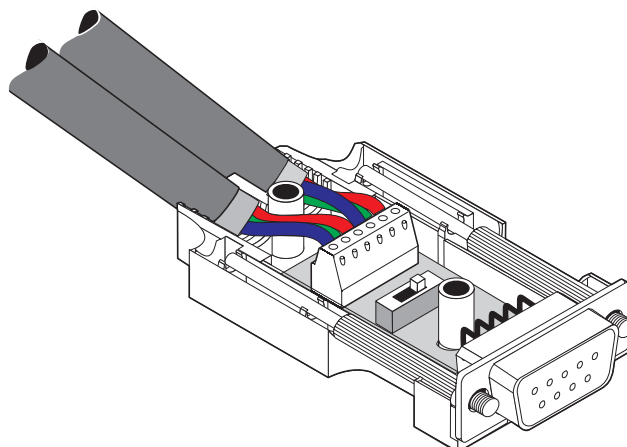
## Drawings

Dimensional drawing



Dimensional drawing

Schematic diagram



Connection of the cables

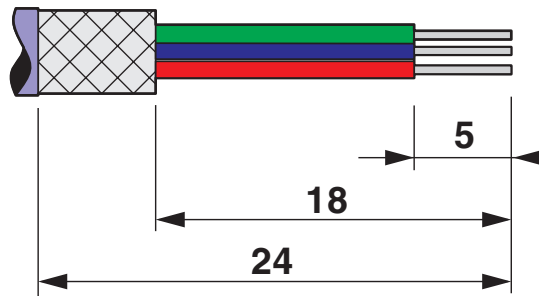
# SUBCON-PLUS-CAN/AX - D-SUB bus connector



2306566

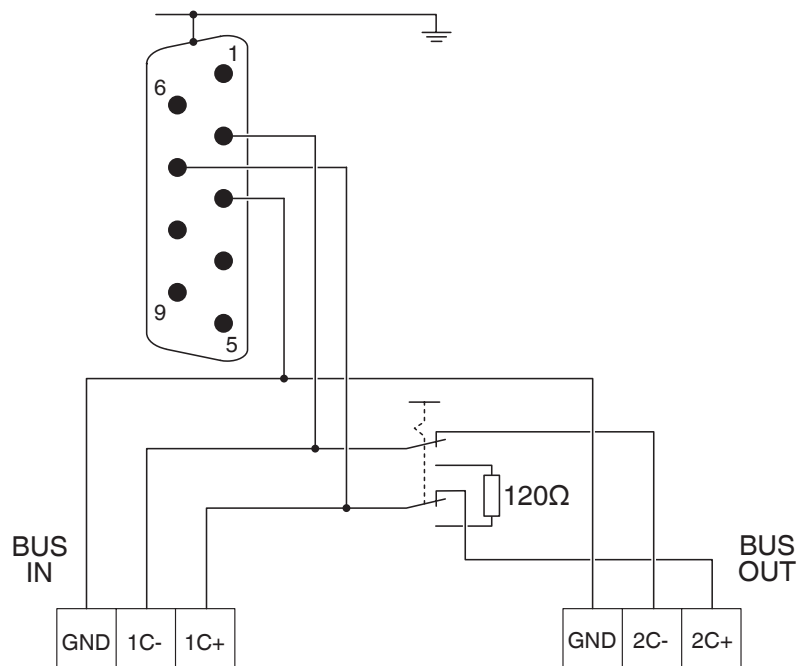
<https://www.phoenixcontact.com/us/products/2306566>

Schematic diagram



Stripping specifications

Circuit diagram



Block diagram

# SUBCON-PLUS-CAN/AX - D-SUB bus connector



2306566

<https://www.phoenixcontact.com/us/products/2306566>

## Approvals

To download certificates, visit the product detail page: <https://www.phoenixcontact.com/us/products/2306566>



**cUL Recognized**  
Approval ID: E238705



**UL Recognized**  
Approval ID: E238705

# SUBCON-PLUS-CAN/AX - D-SUB bus connector



2306566

<https://www.phoenixcontact.com/us/products/2306566>

## Classifications

### ECLASS

ECLASS-13.0	27440302
ECLASS-15.0	27440322

### ETIM

ETIM 10.0	EC001132
-----------	----------

### UNSPSC

UNSPSC 21.0	39121400
-------------	----------

# SUBCON-PLUS-CAN/AX - D-SUB bus connector



2306566

<https://www.phoenixcontact.com/us/products/2306566>

## Environmental product compliance

### EU RoHS

Fulfills EU RoHS substance requirements	Yes, No exemptions
---	--------------------

### China RoHS

Environment friendly use period (EFUP)	EFUP-E
	No hazardous substances above the limits

### EU REACH SVHC

REACH candidate substance (CAS No.)	No substance above 0.1 wt%
-------------------------------------	----------------------------

### EF3.1 Climate Change

CO2e kg	1.062 kg CO2e
---------	---------------

Phoenix Contact 2026 © - all rights reserved  
<https://www.phoenixcontact.com>

Phoenix Contact USA  
586 Fulling Mill Road  
Middletown, PA 17057, United States  
(+717) 944-1300  
[info@phoenixcon.com](mailto:info@phoenixcon.com)