

FLKM S115/S7/FLK50/PLC/SO137 - Front adapter



2306294

<https://www.phoenixcontact.com/us/products/2306294>

Please be informed that the data shown in this PDF document is generated from our online catalog. Please find the complete data in the user documentation. Our general terms of use for downloads are valid.



Converter for SIMATIC® S5-115 on 50- pos. FLK strip over which an S7 control can be coupled.
Conversion: 6ES5 420-7LA11 / 6ES5 430-7LA11 on 6ES7 321-1BL00-0AA0 **OR** 6ES5 441-7LA11 / 6ES5 451-7LA11 on 6ES7 322-1BL00-0AA0

Product description

The old SIMATIC® S5 115 plug is plugged into the VARIOFACE-S5-S7 adapter, the connection to SIMATIC® S7 400 or SIMATIC® S7 300 is via a VARIOFACE system cable, e.g. FLK 50/EZ-DR/.../KONFEK and the VARIOFACE front adapter for SIMATIC® S7 FLKM 50-PA-S400 or FLKM 50-PA-S300.

Commercial data

Item number	2306294
Packing unit	1 pc
Note	Made to order (non-returnable)
Sales key	C421
Product key	DK233S
GTIN	4017918956905
Weight per piece (including packing)	261 g
Weight per piece (excluding packing)	253.4 g
Customs tariff number	85369010
Country of origin	DE

2306294

<https://www.phoenixcontact.com/us/products/2306294>

Technical data

Product properties

Product type	Front adapter
--------------	---------------

Insulation characteristics

Insulation	Functional insulation
Overvoltage category	II
Pollution degree	2

Electrical properties

Max. permissible operating voltage	60 V DC
Max. permissible current	1 A (per path)
Max. permissible total current	2 A (per byte)
Rated insulation voltage	63 V
Rated surge voltage	0.6 kV

Supported controller: SIEMENS S5-115 U

Suitable I/O card	6ES5 420-7LA11
	6ES5 430-7LA11
	6ES5 441-7LA11
	6ES5 451-7LA11

Connection data

Field level

Connection method	IDC/FLK pin strip
Number of connections	1
Number of positions	50
Pitch	2.54 mm

Environmental and real-life conditions

Ambient conditions

Degree of protection	IP00
Ambient temperature (operation)	-20 °C ... 50 °C
Ambient temperature (storage/transport)	-20 °C ... 70 °C

Standards and regulations

Standards/regulations	IEC 60664
	DIN EN 50178

Mounting

Mounting position	any
-------------------	-----

Notes

FLKM S115/S7/FLK50/PLC/SO137 - Front adapter



2306294

<https://www.phoenixcontact.com/us/products/2306294>

Order information:	The components for setting up an adapter carrier as in the application example (data sheet in the download area), which can be used to secure the migration adapter, can be obtained from Heitec AG based in Eckental-Eschenau, Germany. The following order numbers are required for carrier setup: 3685.896 (2 pcs.) 3684.629 (1 pc.) 3684.562 (2 pcs.) 3687.015 (1 unit pack) 3684.610 (2 pcs.) 3684.572 (2 pcs.) 3684.881 (10 pcs.) 3685.837 (10 pcs.) 3685.832 (10 pcs.)
Notes on operation	For proper use, the specifications of the installation directive (see Downloads) must be observed. For applications or use with third-party products, the specifications, and the safety and warning instructions of the respective third-party manufacturer must also be met.

FLKM S115/S7/FLK50/PLC/SO137 - Front adapter

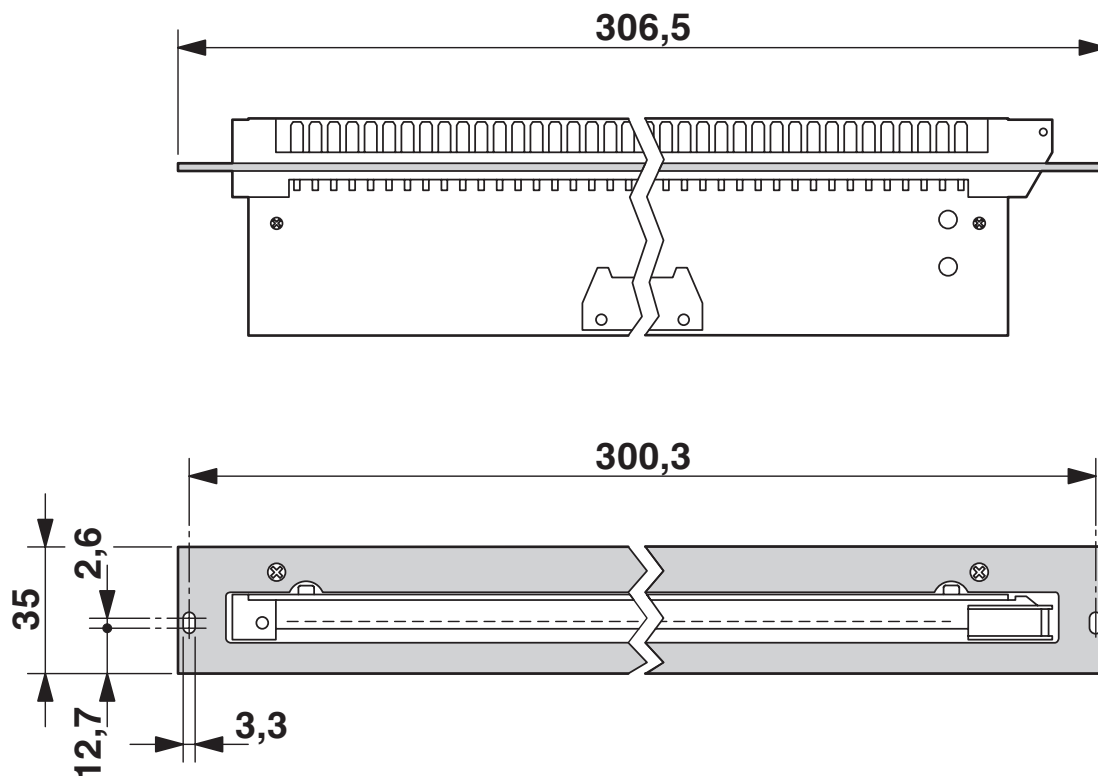


2306294

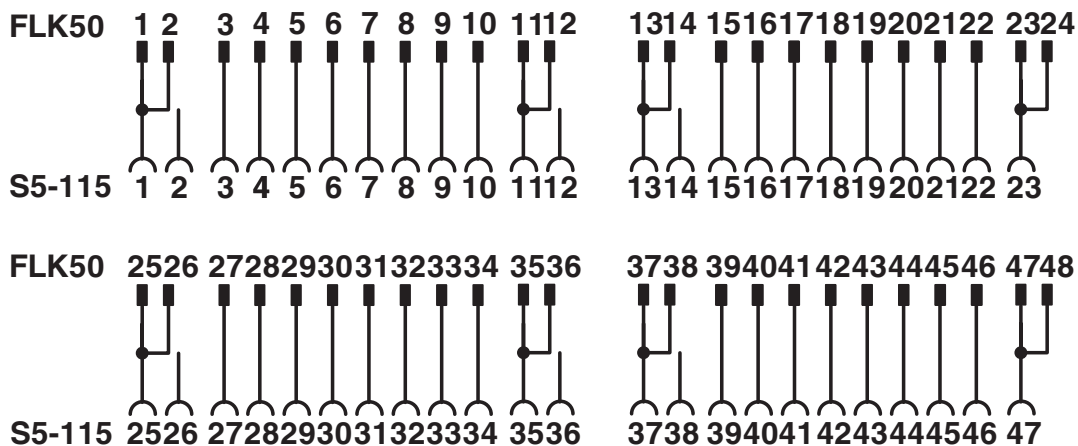
<https://www.phoenixcontact.com/us/products/2306294>

Drawings

Dimensional drawing



Circuit diagram



Connection scheme: FLKM S115/S7/FLK50/PLC/SO137

FLKM S115/S7/FLK50/PLC/SO137 - Front adapter



2306294

<https://www.phoenixcontact.com/us/products/2306294>

Classifications

ECLASS

ECLASS-13.0

27242292

UNSPSC

UNSPSC 21.0

32151601

2306294

<https://www.phoenixcontact.com/us/products/2306294>

Environmental product compliance

EU RoHS

Fulfills EU RoHS substance requirements	Yes
Exemption	6(a), 6(a)-I

China RoHS

Environment friendly use period (EFUP)	EFUP-50
	An article-related China RoHS declaration table can be found in the download area for the respective article under "Manufacturer declaration". For all articles with EFUP-E, no China RoHS declaration table issued and required.

EU REACH SVHC

REACH candidate substance (CAS No.)	Lead(CAS: 7439-92-1)
-------------------------------------	----------------------

Phoenix Contact 2026 © - all rights reserved
<https://www.phoenixcontact.com>

Phoenix Contact USA
586 Fulling Mill Road
Middletown, PA 17057, United States
(+717) 944-1300
info@phoenixcon.com