

UM-32 NAM/I/M/DV - Active module

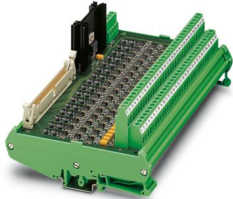


2305046

<https://www.phoenixcontact.com/us/products/2305046>

Please be informed that the data shown in this PDF document is generated from our online catalog. Please find the complete data in the user documentation. Our general terms of use for downloads are valid.

Module with 32 proximity switches (Namur) for input cards of the Delta V control system)



Commercial data

Item number	2305046
Packing unit	1 pc
Minimum order quantity	1 pc
Note	Made to order (non-returnable)
Sales key	C421
Product key	DK219K
GTIN	4017918995744
Weight per piece (including packing)	556.8 g
Weight per piece (excluding packing)	417.06 g
Customs tariff number	85364190
Country of origin	DE

UM-32 NAM/I/M/DV - Active module



2305046

<https://www.phoenixcontact.com/us/products/2305046>

Technical data

Product properties

Product type	Interface module
No. of channels	32

Insulation characteristics

Overvoltage category	I
Pollution degree	2

Electrical properties

Rated surge voltage	0.4 kV (Basic insulation)
---------------------	---------------------------

Supported controller: EMERSON DeltaV

Suitable I/O card	VE4001S2T2B5
-------------------	--------------

Input data

Nominal input voltage U_N	24 V DC \pm 20 %
Input voltage range	18.5 V DC ... 28.8 V DC
Typical input current at U_N	max. 320 mA
Protective circuit	Reverse polarity protection; Polarity protection diode Fuse; Fuse (400 mA)
Operating voltage display	Green LED
Transmission frequency	350 Hz

Control

Open-circuit voltage	8.2 V DC \pm 10 %
Switching point	\geq 2.1 mA (In conductive state) \leq 1.2 mA (In blocking state) 6.3 mA ... 10 mA (in the event of a short-circuit) 0 mA ... 0.35 mA (In the event of a wire break)
Switching hysteresis	approx. 0.2 mA
Internal resistance	approx. 1 k Ω
Short-circuit current	\leq 10 mA

Output data

Switching

Maximum switching voltage	30 V DC
Limiting continuous current	10 mA
Operating voltage display	Green LED
Error detection (line break / short-circuit)	LED red

Connection data

Field level

UM-32 NAM/I/M/DV - Active module



2305046

<https://www.phoenixcontact.com/us/products/2305046>

Connection in acc. with standard	IEC / EN
Connection method	Screw connection
Stripping length	8 mm
Screw thread	M3
Number of connections	103
Number of positions	6
Conductor cross-section rigid	0.2 mm ² ... 4 mm ²
Conductor cross-section flexible	0.2 mm ² ... 2.5 mm ²
Conductor cross-section AWG	24 ... 12

Controller level

Connection method	IDC/FLK pin strip
Number of connections	1
Number of positions	50
Pitch	2.54 mm

Signaling

Status display present	yes
------------------------	-----

Dimensions

Width	180.5 mm
Height	125.5 mm
Depth	76 mm

Material specifications

Color	green (RAL 6021)
Housing insulation material	Polyamide PA non-reinforced

Environmental and real-life conditions

Ambient conditions

Ambient temperature (operation)	-20 °C ... 50 °C
Ambient temperature (storage/transport)	-20 °C ... 70 °C

Standards and regulations

Standards/regulations	DIN EN 50178
-----------------------	--------------

Mounting

Mounting type	DIN rail mounting
Assembly note	in rows with zero spacing
Mounting position	any

Notes

Notes on operation	For proper use, the specifications of the installation directive (see Downloads) must be observed. For applications or use with third-party products, the specifications, and the safety and warning instructions of the respective third-party manufacturer must also
--------------------	--

UM-32 NAM/I/M/DV - Active module



2305046

<https://www.phoenixcontact.com/us/products/2305046>

be met.

UM-32 NAM/I/M/DV - Active module

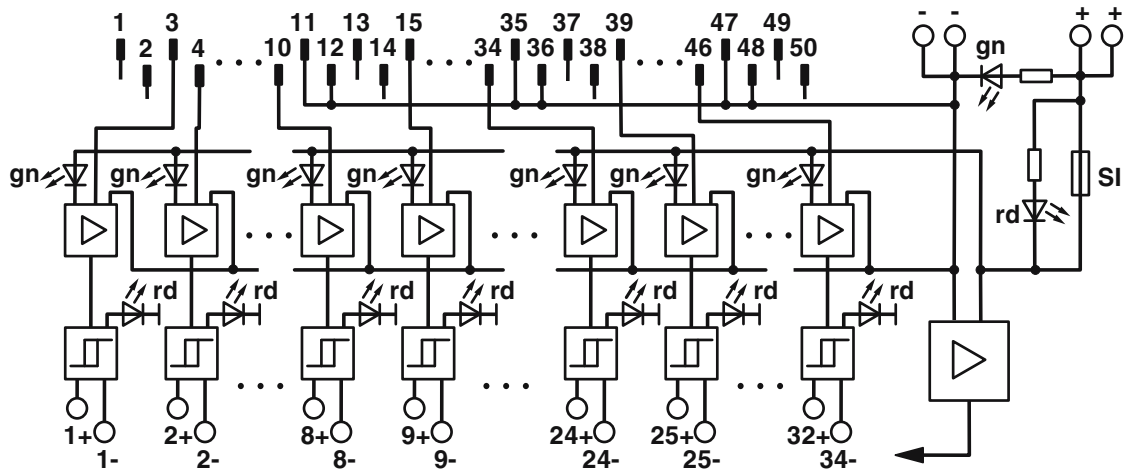


2305046

<https://www.phoenixcontact.com/us/products/2305046>

Drawings

Connection diagram



UM-32 NAM/I/M/DV - Active module



2305046

<https://www.phoenixcontact.com/us/products/2305046>

Environmental product compliance

China RoHS

Environment friendly use period (EFUP)	EFUP-50
	An article-related China RoHS declaration table can be found in the download area for the respective article under "Manufacturer declaration". For all articles with EFUP-E, no China RoHS declaration table issued and required.

EU REACH SVHC

REACH candidate substance (CAS No.)	No substance above 0.1 wt%
-------------------------------------	----------------------------

Phoenix Contact 2026 © - all rights reserved
<https://www.phoenixcontact.com>

Phoenix Contact USA
586 Fulling Mill Road
Middletown, PA 17057, United States
(+717) 944-1300
info@phoenixcon.com