

FLKM 50/32M/IN/LA/DV - Passive module



2304856

<https://www.phoenixcontact.com/us/products/2304856>

Please be informed that the data shown in this PDF document is generated from our online catalog. Please find the complete data in the user documentation. Our general terms of use for downloads are valid.



32-channel module with LED and 2-conductor connection; common negative potential (for Delta V controller input cards)

Your advantages

- These system-specific interface modules for DeltaV modules are used in combination with FLK 50/2FLK20/EZ-DR/.../DV system cables
- Can be used for 32-channel input modules
- LED status indicator per channel
- 2-wire connection with separate negative terminal block per channel (dry contact)

Commercial data

Item number	2304856
Packing unit	1 pc
Minimum order quantity	1 pc
Note	Made to order (non-returnable)
Sales key	C421
Product key	DK218K
GTIN	4017918981747
Weight per piece (including packing)	373 g
Weight per piece (excluding packing)	285.32 g
Customs tariff number	85369010
Country of origin	DE

Technical data

Product properties

Product type	Interface module
Product family	VARIOFACE
Number of positions	50
No. of channels	32

Insulation characteristics: Air clearances and creepage distances

Insulation	Functional insulation
Overvoltage category	II
Pollution degree	2

Electrical properties

Operating voltage range	19.2 V DC ... 26.4 V DC
Current (per branch)	≤ 1 A
Current (Terminal block/terminal block)	≤ 5 A

Air clearances and creepage distances

Rated insulation voltage	50 V
Rated surge voltage	0.5 kV (1.2/50 μs)

Supported controller: EMERSON DeltaV

Suitable I/O card	VE4001S2T2B5
-------------------	--------------

Output data

Nominal supply voltage	24 V DC ±10 %
Continuous load current	1 A

Connection data

Connection 1 (control level)

Connection in acc. with standard	IEC 60603-13
Connection method	IDC/FLK pin strip
Number of connections	1
Number of positions	50
Insertion/withdrawal cycles	> 50
Pitch	2.54 mm

Connection 2 (field level)

Connection method	Screw connection
Stripping length	7 mm
Screw thread	M3
Number of positions	64
Conductor cross-section rigid	0.2 mm ² ... 4 mm ²
Conductor cross-section rigid (2 conductors with same cross	0.2 mm ² ... 1.5 mm ²

FLKM 50/32M/IN/LA/DV - Passive module



2304856

<https://www.phoenixcontact.com/us/products/2304856>

section)	
Conductor cross-section flexible	0.2 mm ² ... 2.5 mm ²
	0.25 mm ² ... 1.5 mm ² (Ferrule without plastic sleeve)
	0.25 mm ² ... 2.5 mm ² (Ferrule with plastic sleeve)
Conductor cross-section flexible (2 conductors with same cross section)	0.2 mm ² ... 1.5 mm ²
	0.25 mm ² ... 0.75 mm ² (Ferrule without plastic sleeve)
	0.5 mm ² ... 0.5 mm ² (TWIN ferrule with plastic sleeve)
Conductor cross-section AWG	24 ... 12
Tightening torque	0.5 Nm ... 0.6 Nm
Pitch	5.08 mm

Connection 3 (supply)

Connection method	Screw connection
Stripping length	8 mm
Screw thread	M3
Number of connections	1
Number of positions	2
Conductor cross-section rigid	0.2 mm ² ... 4 mm ²
Conductor cross-section rigid (2 conductors with same cross section)	0.2 mm ² ... 1.5 mm ²
Conductor cross-section flexible	0.2 mm ² ... 2.5 mm ²
	0.25 mm ² ... 2.5 mm ² (Ferrule without plastic sleeve)
	0.25 mm ² ... 2.5 mm ² (Ferrule with plastic sleeve)
Conductor cross-section flexible (2 conductors with same cross section)	0.2 mm ² ... 1.5 mm ²
	0.25 mm ² ... 0.75 mm ² (Ferrule without plastic sleeve)
	0.5 mm ² ... 1.5 mm ² (TWIN ferrule with plastic sleeve)
Conductor cross-section AWG	24 ... 12
Tightening torque	0.5 Nm ... 0.6 Nm
Pitch	5.08 mm

Signaling

Status display	LED (yellow)
Status display present	yes

Dimensions

Item dimensions

Width	168.3 mm
Height	89.6 mm
Depth	65.8 mm

Material specifications

Color	gray (RAL 7042)
Housing insulation material	PVC

Environmental and real-life conditions

FLKM 50/32M/IN/LA/DV - Passive module



2304856

<https://www.phoenixcontact.com/us/products/2304856>

Ambient conditions

Degree of protection (Module)	IP00
Degree of protection (Installation location)	≥ IP54
Ambient temperature (operation)	-20 °C ... 50 °C
Ambient temperature (storage/transport)	-20 °C ... 70 °C
Altitude	≤ 2000 m

Approvals

UKCA

Certificate	UKCA-compliant
-------------	----------------

Standards and regulations

Air clearances and creepage distances

Standards/regulations	EN IEC 60664-1
-----------------------	----------------

Mounting

Mounting type	DIN rail mounting
Mounting position	any

Notes

Notes on operation	For proper use, the specifications of the installation directive (see Downloads) must be observed. For applications or use with third-party products, the specifications, and the safety and warning instructions of the respective third-party manufacturer must also be met.
--------------------	--

FLKM 50/32M/IN/LA/DV - Passive module

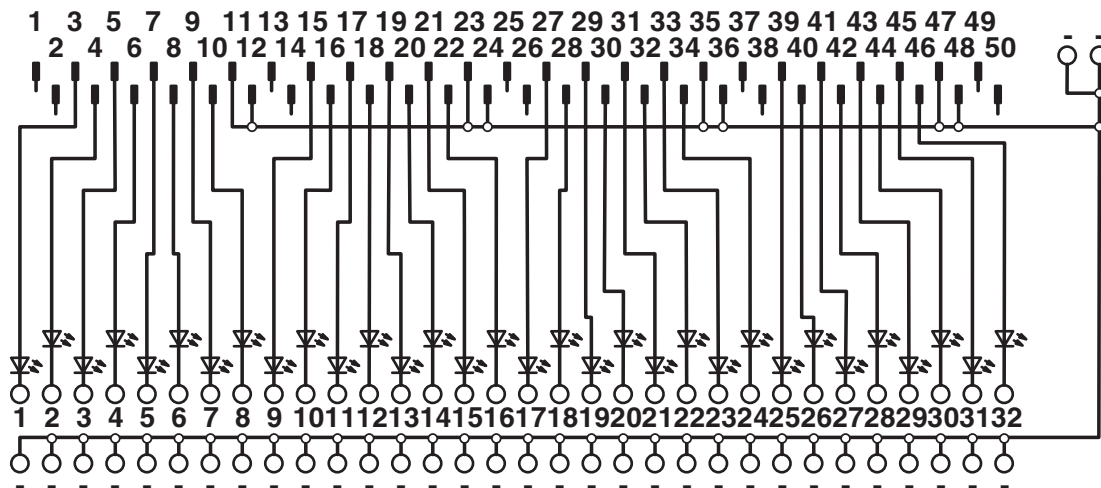


2304856

<https://www.phoenixcontact.com/us/products/2304856>

Drawings

Circuit diagram



FLKM 50/32M/IN/LA/DV connection scheme

FLKM 50/32M/IN/LA/DV - Passive module



2304856

<https://www.phoenixcontact.com/us/products/2304856>

Classifications

ECLASS

ECLASS-13.0	27141152
ECLASS-15.0	27141152

ETIM

ETIM 10.0	EC002780
-----------	----------

UNSPSC

UNSPSC 21.0	39121400
-------------	----------

FLKM 50/32M/IN/LA/DV - Passive module



2304856

<https://www.phoenixcontact.com/us/products/2304856>

Environmental product compliance

EU RoHS

Fulfills EU RoHS substance requirements	Yes, No exemptions
---	--------------------

China RoHS

Environment friendly use period (EFUP)	EFUP-E
	No hazardous substances above the limits

EU REACH SVHC

REACH candidate substance (CAS No.)	Hexahydromethylphthalic anhydride(CAS: n/a)
SCIP	85316084-bfda-4376-9f52-b178778746f7

Phoenix Contact 2026 © - all rights reserved

<https://www.phoenixcontact.com>

Phoenix Contact USA
586 Fulling Mill Road
Middletown, PA 17057, United States
(+717) 944-1300
info@phoenixcon.com