

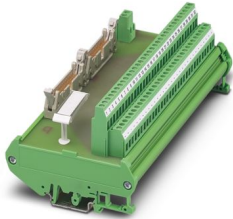
FLKM-2FLK20/32M/OUT/LA/DV - Passive module



2304733

<https://www.phoenixcontact.com/us/products/2304733>

Please be informed that the data shown in this PDF document is generated from our online catalog. Please find the complete data in the user documentation. Our general terms of use for downloads are valid.



Interface modules, for 40-pos. "Mass Termination Blocks" for: -32-channel output with LED per signal, module width: 169 mm

Commercial data

Item number	2304733
Packing unit	1 pc
Note	Made to order (non-returnable)
Sales key	C421
Product key	DK218K
GTIN	4017918973834
Weight per piece (including packing)	310.28 g
Weight per piece (excluding packing)	310.28 g
Customs tariff number	85369010
Country of origin	DE

2304733

<https://www.phoenixcontact.com/us/products/2304733>

Technical data

Product properties

Product type	Interface module
--------------	------------------

Insulation characteristics

Overvoltage category	II
Pollution degree	2

Electrical properties

Nominal voltage U_N	30 V DC
Max. current carrying capacity per branch	1 A
Max. total current of voltage supply	5 A (KL/KL)

Supported controller: EMERSON DeltaV

Suitable I/O card	VE4002S1T2B6
-------------------	--------------

Connection data

Field level

Connection in acc. with standard	IEC / EN
Connection method	Screw connection
Stripping length	8 mm
Screw thread	M3
Conductor cross-section rigid	0.2 mm ² ... 4 mm ²
Conductor cross-section flexible	0.2 mm ² ... 2.5 mm ²
Conductor cross-section AWG	24 ... 12

Controller level

Connection method	IDC/FLK pin strip
Number of connections	2
Number of positions	20
Pitch	2.54 mm

Signaling

Status display	yes
Status display present	yes

Dimensions

Item dimensions

Width	169 mm
Height	77 mm
Depth	52 mm

Material specifications

FLKM-2FLK20/32M/OUT/LA/DV - Passive module



2304733

<https://www.phoenixcontact.com/us/products/2304733>

Color	green (RAL 6021)
Housing insulation material	PVC

Environmental and real-life conditions

Ambient conditions

Ambient temperature (operation)	-20 °C ... 50 °C
Ambient temperature (storage/transport)	-20 °C ... 70 °C

Standards and regulations

Standards/regulations	IEC 60664
-----------------------	-----------

Mounting

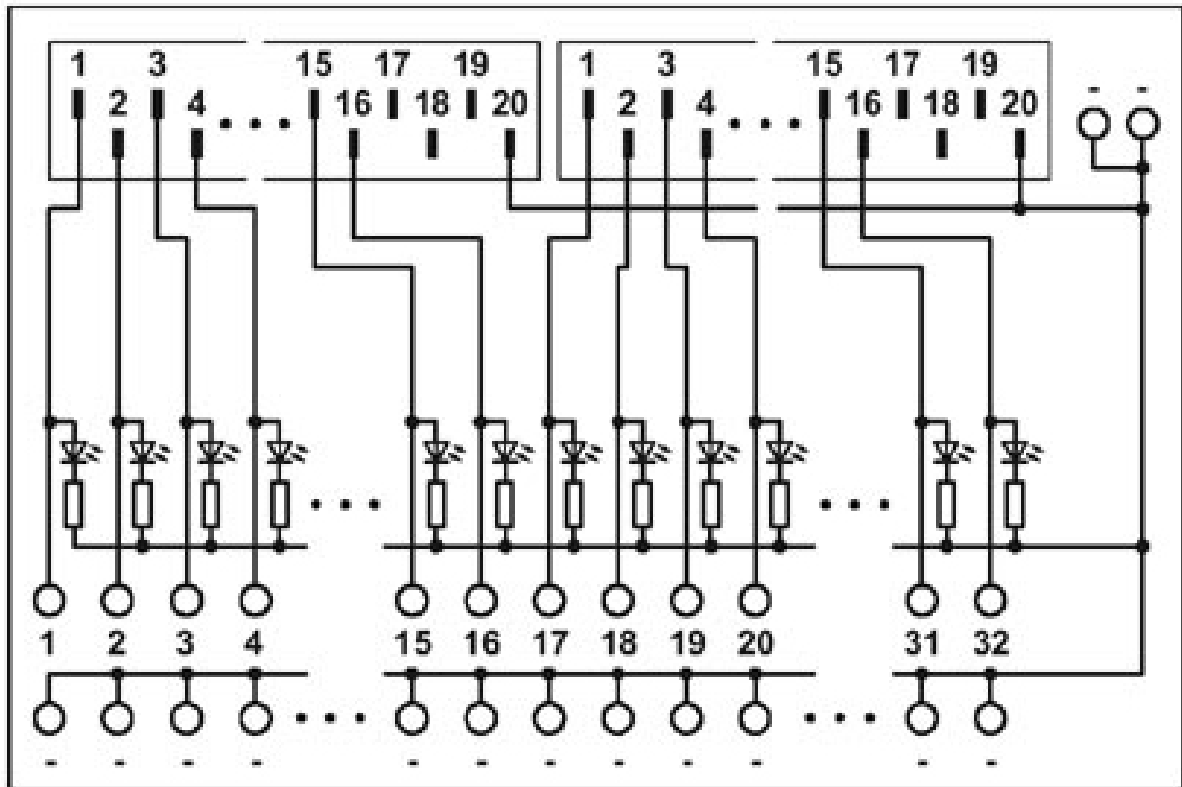
Mounting type	DIN rail mounting
Assembly note	in rows with zero spacing
Mounting position	any

Notes

Notes on operation	For proper use, the specifications of the installation directive (see Downloads) must be observed. For applications or use with third-party products, the specifications, and the safety and warning instructions of the respective third-party manufacturer must also be met.
--------------------	--

Drawings

Circuit diagram



FLKM-2FLK20/32M/OUT/LA/DV - Passive module



2304733

<https://www.phoenixcontact.com/us/products/2304733>

Environmental product compliance

China RoHS

Environment friendly use period (EFUP)	EFUP-50
	An article-related China RoHS declaration table can be found in the download area for the respective article under "Manufacturer declaration". For all articles with EFUP-E, no China RoHS declaration table issued and required.

EU REACH SVHC

REACH candidate substance (CAS No.)	No substance above 0.1 wt%
-------------------------------------	----------------------------

Phoenix Contact 2026 © - all rights reserved
<https://www.phoenixcontact.com>

Phoenix Contact USA
586 Fulling Mill Road
Middletown, PA 17057, United States
(+717) 944-1300
info@phoenixcon.com