

FLK 14/16/EZ-DR/HF/ 350/S7 - Cable



2304694

<https://www.phoenixcontact.com/us/products/2304694>

Please be informed that the data shown in this PDF document is generated from our online catalog. Please find the complete data in the user documentation. Our general terms of use for downloads are valid.



Assembled, halogen-free round cable; controller: SIMATIC® TOP connect; connection 1: IDC/FLK socket strip (1x 16-position); connection 2: IDC/FLK socket strip (1x 14-position); cable length: 3.5 m

Commercial data

Item number	2304694
Packing unit	1 pc
Minimum order quantity	1 pc
Note	Made to order (non-returnable)
Sales key	C421
Product key	DK221S
GTIN	4017918951528
Weight per piece (including packing)	185.2 g
Weight per piece (excluding packing)	185.2 g
Customs tariff number	85444290
Country of origin	DE

Technical data

Product properties

Product type	System cable
Insulation characteristics	
Insulation	Functional insulation
Overvoltage category	II
Pollution degree	2

Environmental and real-life conditions

Ambient conditions

Degree of protection	IP00
Degree of protection (Installation location)	≥ IP54 (Installation location)
Ambient temperature (operation) (fixed installation)	-40 °C ... 70 °C (fixed installation)
Ambient temperature (operation) (flexible installation)	-10 °C ... 70 °C (flexible installation)
Ambient temperature (storage/transport)	-40 °C ... 80 °C
Altitude	≤ 2000 m

Electrical properties

Operating voltage (AC)	≤ 25 V AC
Operating voltage (DC)	≤ 60 V DC
Nominal operating mode	100% operating factor
Current (Per path, 50°C)	≤ 1 A
Current (Per path, 70°C)	≤ 0.6 A
Rated insulation voltage	63 V
Rated surge voltage	0.6 kV

Cable/line

Cable length	3.5 m
UL AWM Style	21946
Number of positions	14
Shielded	no
Conductor type	Assembled, halogen-free round cable
Conductor structure signal line	7x 0.16 mm
AWG signal line	26
Conductor cross-section	14x 0.14 mm ²
Wire diameter incl. insulation	1 mm ±0.03 mm
External cable diameter	5.80 mm ±0.4 mm
Outer sheath, material	halogen-free (type 2)
External sheath, color	gray
Conductor material	Tin-plated Cu litz wires
Cable resistance	≤ 145 Ω/km (20 °C)

FLK 14/16/EZ-DR/HF/ 350/S7 - Cable



2304694

<https://www.phoenixcontact.com/us/products/2304694>

Insulation resistance	≥ 20 MΩ*km (20 °C)
Smallest bending radius, fixed installation	50 mm
Smallest bending radius, movable installation	93 mm
Dynamic load capacity (bending)	Max. bending cycles: 5000 (at a radius of ≥ 15x outside diameter)
Halogen-free	yes
Flame resistance	IEC 60332-1-2 (raw cable) VDE 0842, Part 332-1-2 (raw cable) IEC 60332-3-22 (raw cable)
Resistance to oil	can withstand occasional splashes (raw cable)
Cable type	Cable for one module

Connection data

Field level

Connection in acc. with standard	IEC 60603-13
Connection method	IDC/FLK socket strip
Number of connections	1
Number of positions	14
Insertion/withdrawal cycles	> 50
Pitch	2.54 mm

Controller level

Connection in acc. with standard	IEC 60603-13
Connection method	IDC/FLK socket strip
Number of connections	1
Number of positions	16
Insertion/withdrawal cycles	> 50
Pitch	2.54 mm

Standards and regulations

Standards/regulations	DIN EN 50178
-----------------------	--------------

Notes

Notes on operation	For proper use, the specifications of the installation directive (see Downloads) must be observed. For applications or use with third-party products, the specifications, and the safety and warning instructions of the respective third-party manufacturer must also be met.
--------------------	--

Drawings

Connection diagram

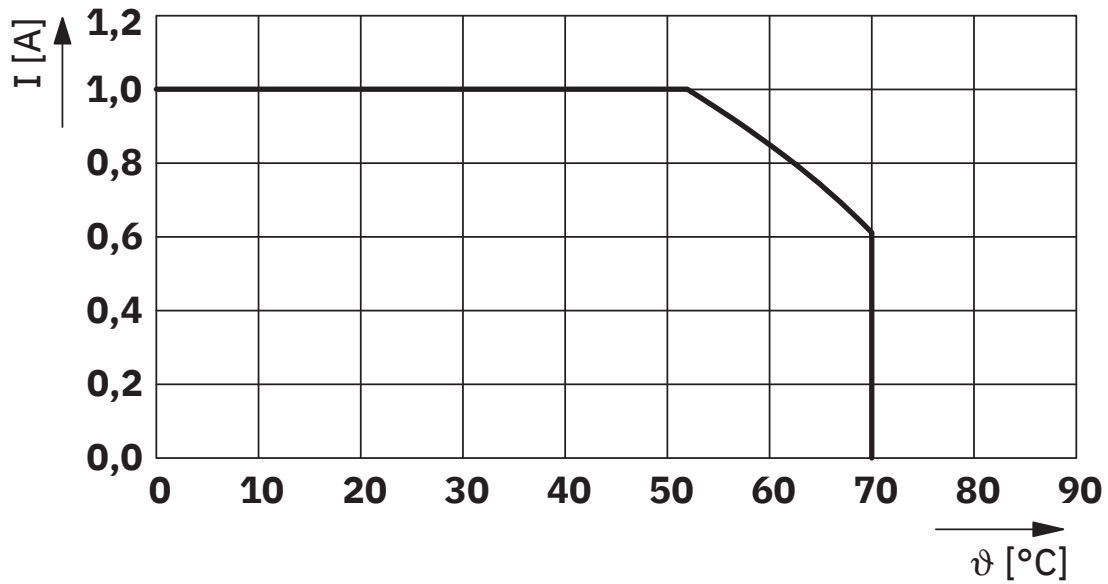
14-pos. Socket strip PIN	16-pos. Socket strip PIN	Wire color
1	16	Black
2	14	Brown
3	12	Red
4	10	Orange
5	8	Yellow
6	6	Green
7	4	Blue
8	2	Violet
9	9	Gray
10	1	White
11	11	White-black
12	3	White-brown
13	13	White-red
14	5	White-orange
	7	-
	15	-

Pin assignment and color code

2304694

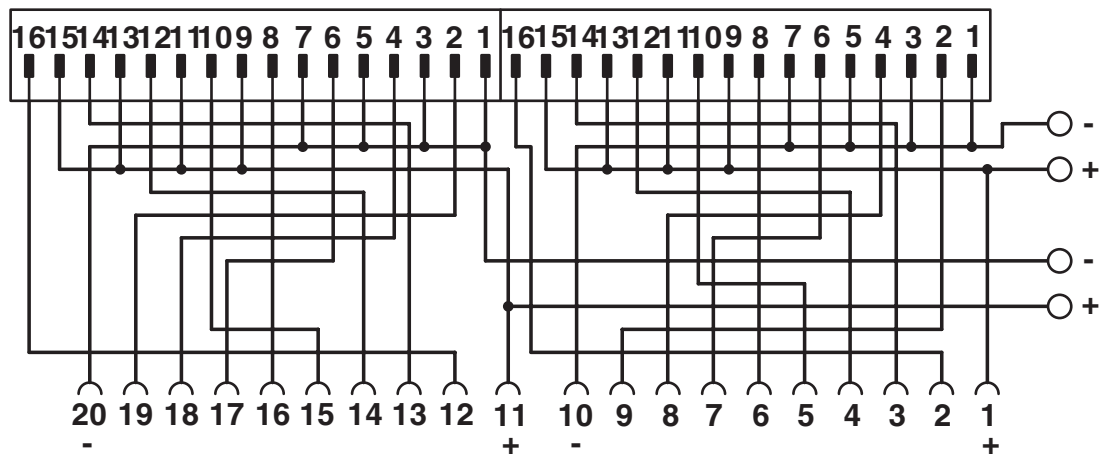
<https://www.phoenixcontact.com/us/products/2304694>

Diagram



Maximum permissible current per path in uncoiled state

Circuit diagram



Pin assignment Siemens S7 front connector modules 6ES7 921-3...

FLK 14/16/EZ-DR/HF/ 350/S7 - Cable



2304694

<https://www.phoenixcontact.com/us/products/2304694>

Classifications

UNSPSC

UNSPSC 21.0	26121620
-------------	----------

FLK 14/16/EZ-DR/HF/ 350/S7 - Cable



2304694

<https://www.phoenixcontact.com/us/products/2304694>

Environmental product compliance

EU RoHS

Fulfills EU RoHS substance requirements	Yes, No exemptions
---	--------------------

China RoHS

Environment friendly use period (EFUP)	EFUP-E
	No hazardous substances above the limits

EU REACH SVHC

REACH candidate substance (CAS No.)	No substance above 0.1 wt%
-------------------------------------	----------------------------

Phoenix Contact 2026 © - all rights reserved
<https://www.phoenixcontact.com>

Phoenix Contact USA
586 Fulling Mill Road
Middletown, PA 17057, United States
(+717) 944-1300
info@phoenixcon.com