

FLKM 14-PA-AB/1756/IN/EXTC - Front adapter



2302874

<https://www.phoenixcontact.com/us/products/2302874>

Please be informed that the data shown in this PDF document is generated from our online catalog. Please find the complete data in the user documentation. Our general terms of use for downloads are valid.



VARIOFACE front adapter, for Allen Bradley ControlLogix and Honeywell PlantScape, input card IA 16, IB 16, IC 16, IN 16.

The front adapters are pushed into the high 1756-TBE hoods (not supplied as standard).

Commercial data

Item number	2302874
Packing unit	1 pc
Note	Made to order (non-returnable)
Sales key	C421
Product key	DK231R
GTIN	4017918917531
Weight per piece (including packing)	59.5 g
Weight per piece (excluding packing)	31.5 g
Customs tariff number	85369010
Country of origin	DE

FLKM 14-PA-AB/1756/IN/EXTC - Front adapter



2302874

<https://www.phoenixcontact.com/us/products/2302874>

Technical data

Product properties

Product type	Front adapter
--------------	---------------

Insulation characteristics: Air clearances and creepage distances between the power circuits

Insulation	Functional insulation
Overvoltage category	II
Pollution degree	2

Electrical properties

Operating voltage (AC)	≤ 25 V AC
Operating voltage (DC)	≤ 60 V DC
Nominal operating mode	100% operating factor
Current (Per path)	≤ 1 A

Air clearances and creepage distances between the power circuits

Rated insulation voltage	63 V
Rated surge voltage	0.6 kV

Supported controller: ALLEN-BRADLEY ControlLogix

Suitable I/O card	1756-IN16
	1756-IA16
	1756-IB16
	1756-IC16

Supported controller: HONEYWELL Experion PKS C200

Suitable I/O card	TC-IDA 161
-------------------	------------

Connection data

Field level

Connection method	IDC/FLK pin strip
Number of connections	2
Number of positions	14
Pitch	2.54 mm

Supply

Connection method	Screw connection
Conductor cross-section rigid	0.14 mm ² ... 1.5 mm ²
Conductor cross-section flexible	0.14 mm ² ... 1.5 mm ²
Conductor cross-section AWG	28 ... 16

Dimensions

Item dimensions

Width	104.9 mm
-------	----------

2302874

<https://www.phoenixcontact.com/us/products/2302874>

Height	33 mm
Depth	40.84 mm

Environmental and real-life conditions

Ambient conditions

Degree of protection	IP00
Degree of protection (Installation location)	≥ IP54 (Installation location)
Ambient temperature (operation)	-20 °C ... 50 °C
Ambient temperature (storage/transport)	-20 °C ... 70 °C
Altitude	≤ 2000 m

Standards and regulations

Air clearances and creepage distances between the power circuits

Standards/regulations	DIN EN 50178
-----------------------	--------------

Mounting

Assembly note	in rows with zero spacing
Mounting position	any

Notes

Notes on operation	Do not connect adjacent channels to SELV/ PELV and voltages dangerous to the touch.
Notes on operation	No additional touch protection is required when using a SELV/PELV voltage (≤ 25 V AC or 60 V DC).
Notes on operation	At least one functional insulation against adjacent modules is complied with (in the support rail direction). If the application has stricter requirements for the insulation (basic insulation or reinforced insulation), they must be realized by applying suitable measures (e. g. partition plates).
Notes on operation	For proper use, the specifications of the installation directive (see Downloads) must be observed. For applications or use with third-party products, the specifications, and the safety and warning instructions of the respective third-party manufacturer must also be met.

FLKM 14-PA-AB/1756/IN/EXTC - Front adapter

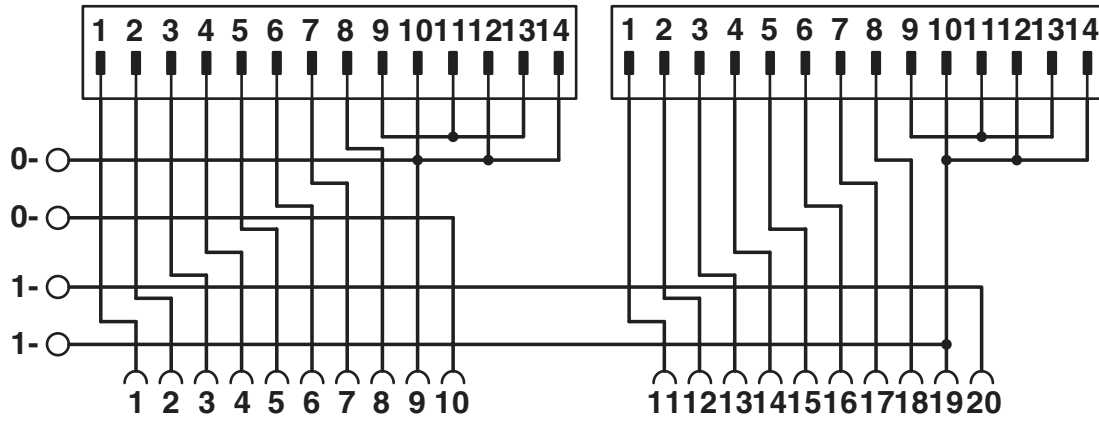


2302874

<https://www.phoenixcontact.com/us/products/2302874>

Drawings

Circuit diagram



Connection scheme FLKM 14-PA-AB/1756/IN/EXTC

FLKM 14-PA-AB/1756/IN/EXTC - Front adapter



2302874

<https://www.phoenixcontact.com/us/products/2302874>

Classifications

ECLASS

ECLASS-13.0

27242292

UNSPSC

UNSPSC 21.0

32151600

2302874

<https://www.phoenixcontact.com/us/products/2302874>

Environmental product compliance

EU RoHS

Fulfills EU RoHS substance requirements	Yes
Exemption	6(c)

China RoHS

Environment friendly use period (EFUP)	EFUP-50
	An article-related China RoHS declaration table can be found in the download area for the respective article under "Manufacturer declaration". For all articles with EFUP-E, no China RoHS declaration table issued and required.

EU REACH SVHC

REACH candidate substance (CAS No.)	Lead(CAS: 7439-92-1)
-------------------------------------	----------------------

Phoenix Contact 2026 © - all rights reserved
<https://www.phoenixcontact.com>

Phoenix Contact USA
586 Fulling Mill Road
Middletown, PA 17057, United States
(+717) 944-1300
info@phoenixcon.com