

FLKM 14-PA-INLINE/IN16 - Front adapter

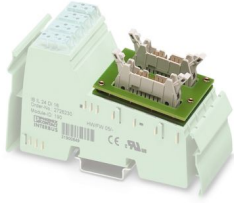


2302751

<https://www.phoenixcontact.com/us/products/2302751>

Please be informed that the data shown in this PDF document is generated from our online catalog. Please find the complete data in the user documentation. Our general terms of use for downloads are valid.

VARIOFACE front adapter for Inline modules, for transferring 16 (2 x 8) digital input signals.



Commercial data

| | |
|--------------------------------------|--------------------------------|
| Item number | 2302751 |
| Packing unit | 1 pc |
| Minimum order quantity | 1 pc |
| Note | Made to order (non-returnable) |
| Sales key | C421 |
| Product key | DK231P |
| GTIN | 4017918929473 |
| Weight per piece (including packing) | 53.7 g |
| Weight per piece (excluding packing) | 32.67 g |
| Customs tariff number | 85369010 |
| Country of origin | DE |

FLKM 14-PA-INLINE/IN16 - Front adapter



2302751

<https://www.phoenixcontact.com/us/products/2302751>

Technical data

Product properties

| | |
|----------------|---------------|
| Product type | Front adapter |
| Product family | VARIOFACE |

Insulation characteristics: Air clearances and creepage distances

| | |
|----------------------|-----------------------|
| Insulation | Functional insulation |
| Overvoltage category | II |
| Pollution degree | 2 |

Electrical properties

| | |
|------------------------|-----------|
| Operating voltage (DC) | ≤ 60 V DC |
| Current (per branch) | ≤ 1 A |

Air clearances and creepage distances

| | |
|--------------------------|--------------------|
| Rated insulation voltage | 63 V |
| Rated surge voltage | 0.6 kV (1.2/50 μs) |

Supported controller: PHOENIX CONTACT Inline

| | |
|-------------------|------------------------|
| Suitable I/O card | IB IL 24 DI 16-PAC |
| | IB IL 24 DI 16-NPN-PAC |
| | ILB ... 24 DI16 |
| | ILB ... 24 DI32 |
| | ILB ... 24 DI16 DO16 |
| | ILB ... 24 DI8 DIO8 |

Connection data

Connection 1 (control level)

| | |
|-----------------------|--------------------|
| Connection method | Plug-in connection |
| Number of connections | 1 |
| Number of positions | 24 |

Connection 2 (field level)

| | |
|----------------------------------|-------------------|
| Connection in acc. with standard | IEC 60603-13 |
| Connection method | IDC/FLK pin strip |
| Number of connections | 2 |
| Number of positions | 14 |
| Insertion/withdrawal cycles | > 50 |
| Pitch | 2.54 mm |

Dimensions

Item dimensions

| | |
|-------|-------|
| Width | 44 mm |
|-------|-------|

FLKM 14-PA-INLINE/IN16 - Front adapter



2302751

<https://www.phoenixcontact.com/us/products/2302751>

| | |
|--------|----------|
| Height | 66.5 mm |
| Depth | 33.85 mm |

Environmental and real-life conditions

Ambient conditions

| | |
|----------------------------------------------|------------------|
| Degree of protection (Module) | IP20 |
| Degree of protection (Installation location) | ≥ IP54 |
| Ambient temperature (operation) | -20 °C ... 50 °C |
| Ambient temperature (storage/transport) | -20 °C ... 50 °C |
| Altitude | ≤ 2000 m |

Standards and regulations

Air clearances and creepage distances

| | |
|-----------------------|----------------|
| Standards/regulations | EN IEC 60664-1 |
|-----------------------|----------------|

Mounting

| | |
|-------------------|------------------|
| Mounting type | Plug-in mounting |
| Mounting position | any |

Notes

| | |
|--------------------|--------------------------------------------------------------------------------------------------------------------------------------------------------------------------------------------------------------------------------------------------------------------------------|
| Notes on operation | For proper use, the specifications of the installation directive (see Downloads) must be observed. For applications or use with third-party products, the specifications, and the safety and warning instructions of the respective third-party manufacturer must also be met. |
|--------------------|--------------------------------------------------------------------------------------------------------------------------------------------------------------------------------------------------------------------------------------------------------------------------------|

FLKM 14-PA-INLINE/IN16 - Front adapter

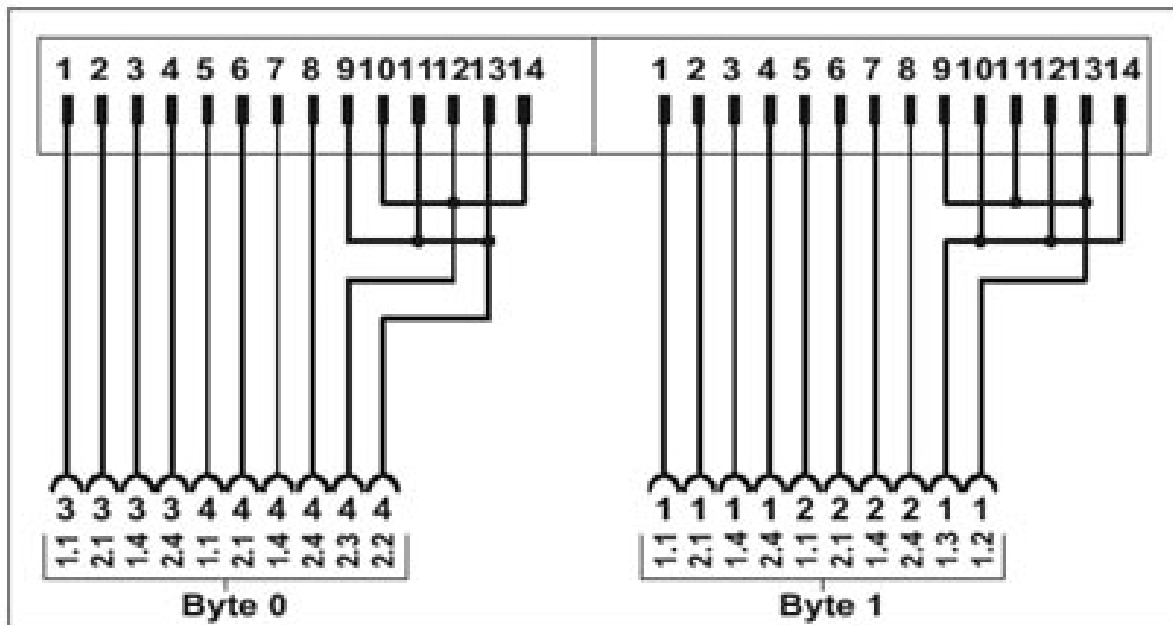


2302751

<https://www.phoenixcontact.com/us/products/2302751>

Drawings

Connection diagram



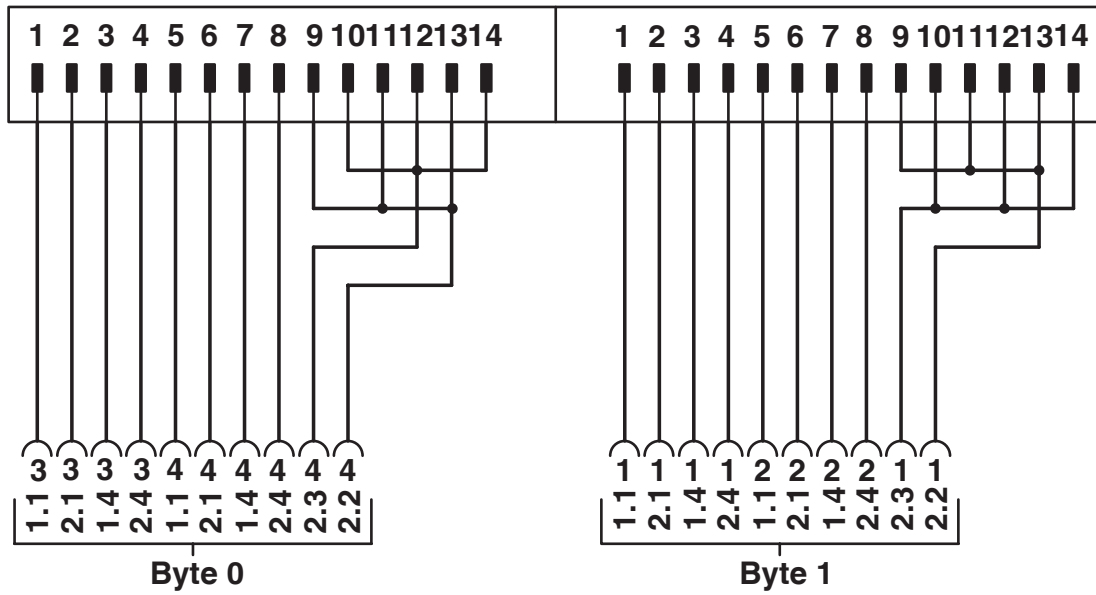
FLKM 14-PA-INLINE/IN16 - Front adapter



2302751

<https://www.phoenixcontact.com/us/products/2302751>

Circuit diagram



Connection scheme: FLKM 14-PA-INLINE/IN16

FLKM 14-PA-INLINE/IN16 - Front adapter



2302751

<https://www.phoenixcontact.com/us/products/2302751>

Classifications

ECLASS

| | |
|-------------|----------|
| ECLASS-13.0 | 27242292 |
| ECLASS-15.0 | 27242292 |

ETIM

| | |
|-----------|----------|
| ETIM 10.0 | EC002584 |
|-----------|----------|

UNSPSC

| | |
|-------------|----------|
| UNSPSC 21.0 | 32151600 |
|-------------|----------|

FLKM 14-PA-INLINE/IN16 - Front adapter



2302751

<https://www.phoenixcontact.com/us/products/2302751>

Environmental product compliance

EU RoHS

| | |
|-----------------------------------------|------|
| Fulfills EU RoHS substance requirements | Yes |
| Exemption | 6(c) |

China RoHS

| | |
|----------------------------------------|-----------------------------------------------------------------------------------------------------------------------------------------------------------------------------------------------------------------------------------|
| Environment friendly use period (EFUP) | EFUP-50 |
| | An article-related China RoHS declaration table can be found in the download area for the respective article under "Manufacturer declaration". For all articles with EFUP-E, no China RoHS declaration table issued and required. |

EU REACH SVHC

| | |
|-------------------------------------|--------------------------------------|
| REACH candidate substance (CAS No.) | Lead(CAS: 7439-92-1) |
| SCIP | 6cd353f8-b517-4e48-8155-1d8beb8857d2 |

Phoenix Contact 2026 © - all rights reserved

<https://www.phoenixcontact.com>

Phoenix Contact USA
586 Fulling Mill Road
Middletown, PA 17057, United States
(+717) 944-1300
info@phoenixcon.com