

# SUBCON 37/M-SH - D-SUB bus connector



2300973

<https://www.phoenixcontact.com/us/products/2300973>

Please be informed that the data shown in this PDF document is generated from our online catalog. Please find the complete data in the user documentation. Our general terms of use for downloads are valid.



D-SUB connector, 37-pos., male connector, one cable entry <math><35^\circ</math>, universal type for all systems, pin assignment: 1, 2, 3, ..., 36, 37 to screw-connection terminal block

The figure shows version

## Commercial data

Item number	2300973
Packing unit	1 pc
Note	Made to order (non-returnable)
Sales key	DN10
Product key	DNC511
GTIN	4046356684781
Weight per piece (including packing)	103.2 g
Weight per piece (excluding packing)	103.2 g
Customs tariff number	85366990
Country of origin	US

# SUBCON 37/M-SH - D-SUB bus connector



2300973

<https://www.phoenixcontact.com/us/products/2300973>

## Technical data

### Product properties

Product type	Data plug
Pin assignment	All connections are 1:1 on the screw terminal block

### Electrical properties

Nominal voltage $U_N$	48 V AC/DC
Nominal current $I_N$	1 A

### Connection data

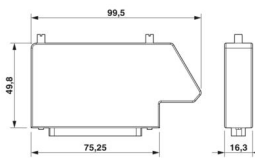
#### D-SUB connection

Connection method	D-SUB connector
-------------------	-----------------

### Interfaces

Signal	Point-to-point
--------	----------------

### Dimensions

Dimensional drawing	
Width	16.3 mm
Height	49.8 mm
Length	99.5 mm

#### External dimensions

External diameter min.	4 mm
External diameter max.	12.7 mm

### Material specifications

Housing material	ABS, metal-plated
------------------	-------------------

### Mechanical properties

#### Mechanical data

Insertion/withdrawal cycles	> 50
Fixing screws	4-40 UNC
Tightening torque	0.4 Nm

### Environmental and real-life conditions

#### Ambient conditions

# SUBCON 37/M-SH - D-SUB bus connector



2300973

<https://www.phoenixcontact.com/us/products/2300973>

Degree of protection	IP20
Ambient temperature (operation)	-20 °C ... 75 °C
Ambient temperature (storage/transport)	-25 °C ... 80 °C
Altitude	5000 m (For restrictions see manufacturer's declaration)

# SUBCON 37/M-SH - D-SUB bus connector

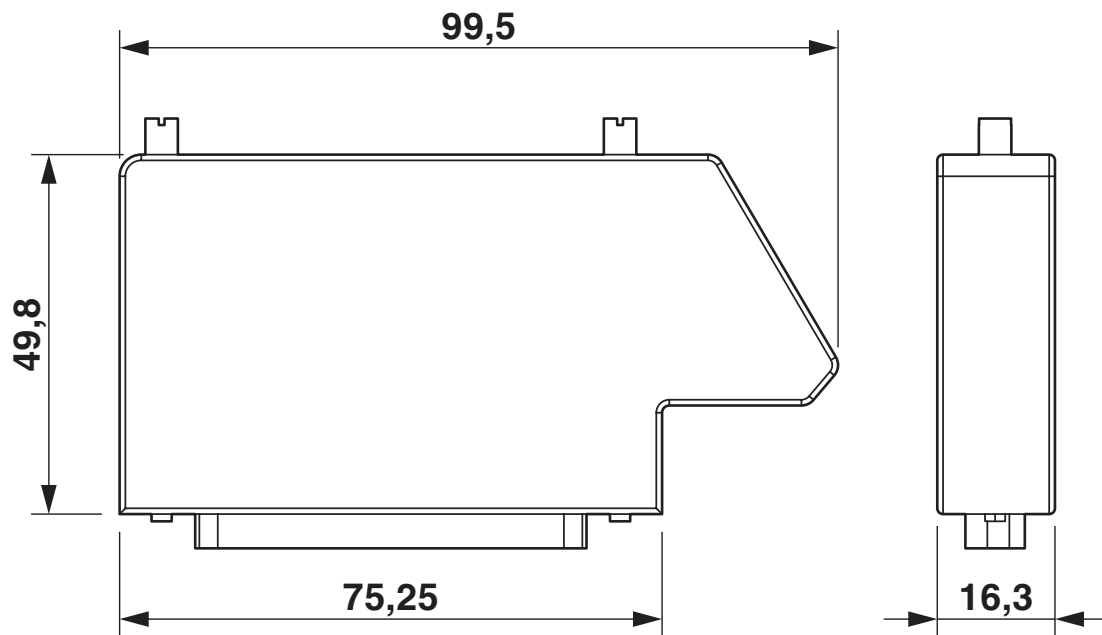
2300973

<https://www.phoenixcontact.com/us/products/2300973>



## Drawings

Dimensional drawing



Dimensional drawing

# SUBCON 37/M-SH - D-SUB bus connector



2300973

<https://www.phoenixcontact.com/us/products/2300973>

## Environmental product compliance

EU REACH SVHC

REACH candidate substance (CAS No.)	No substance above 0.1 wt%
-------------------------------------	----------------------------

Phoenix Contact 2026 © - all rights reserved

<https://www.phoenixcontact.com>

Phoenix Contact USA  
586 Fulling Mill Road  
Middletown, PA 17057, United States  
(+717) 944-1300  
[info@phoenixcon.com](mailto:info@phoenixcon.com)