

DFLK-32 SMKDS3/SMKDS3 - Termination board



2300889

<https://www.phoenixcontact.com/us/products/2300889>

Please be informed that the data shown in this PDF document is generated from our online catalog. Please find the complete data in the user documentation. Our general terms of use for downloads are valid.



VARIOFACE feed-through module, for direct 1:1 coupling of individual signal cables up to 2.5 mm², via angled screw connection terminal blocks at both ends; no. of positions: 32

Commercial data

Item number	2300889
Packing unit	10 pc
Minimum order quantity	1 pc
Note	Made to order (non-returnable)
Product key	DK2AC8
GTIN	4017918903237
Weight per piece (including packing)	155.97 g
Weight per piece (excluding packing)	155.97 g
Country of origin	DE

DFLK-32 SMKDS3/SMKDS3 - Termination board



2300889

<https://www.phoenixcontact.com/us/products/2300889>

Technical data

Product properties

Product type	Interface module
Product family	VARIOFACE
Number of positions	32

Insulation characteristics: Air clearances and creepage distances

Insulation	Functional insulation
Overvoltage category	II
Pollution degree	2

Electrical properties

Operating voltage (AC/DC)	150 V AC/DC
Current (per branch)	≤ 4 A

Air clearances and creepage distances

Rated insulation voltage	300 V
Rated surge voltage	2.5 kV

Connection data

Field level

Connection in acc. with standard	IEC / EN
Connection method	Screw connection
Stripping length	8 mm
Screw thread	M3
Number of positions	32
Conductor cross-section rigid	0.2 mm ² ... 4 mm ²
Conductor cross-section flexible	0.2 mm ² ... 2.5 mm ²
Conductor cross-section AWG	24 ... 12

Controller level

Connection method	Screw connection
Number of positions	32
Conductor cross-section rigid	0.2 mm ² ... 4 mm ²
Conductor cross-section flexible	0.2 mm ² ... 2.5 mm ²

Signaling

Status display present	no
------------------------	----

Dimensions

Item dimensions

Width	180 mm
Height	27.5 mm

DFLK-32 SMKDS3/SMKDS3 - Termination board



2300889

<https://www.phoenixcontact.com/us/products/2300889>

Depth	49 mm
-------	-------

Material specifications

Color	gray (RAL 7042)
Housing insulation material	Polyamide PA non-reinforced

Environmental and real-life conditions

Ambient conditions

Degree of protection	IP20
Degree of protection (Installation location)	≥ IP54 (Installation location)
Ambient temperature (operation)	-20 °C ... 50 °C
Ambient temperature (storage/transport)	-30 °C ... 70 °C
Altitude	max. 2000 m

Standards and regulations

Air clearances and creepage distances

Standards/regulations	EN 60664-1
-----------------------	------------

Mounting

Mounting type	Rear mounting
Assembly note	in rows with zero spacing
Mounting position	any

Notes

Notes on operation	The necessary requirements for insulation (basic insulation or reinforced insulation) from adjacent modules (in DIN-rail direction) must be realized by applying suitable measures (e. g., partition plates).
Notes on operation	Ensure that the supply voltage of the device has a common reference potential.
Notes on operation	For proper use, the specifications of the installation directive (see Downloads) must be observed. For applications or use with third-party products, the specifications, and the safety and warning instructions of the respective third-party manufacturer must also be met.

DFLK-32 SMKDS3/SMKDS3 - Termination board

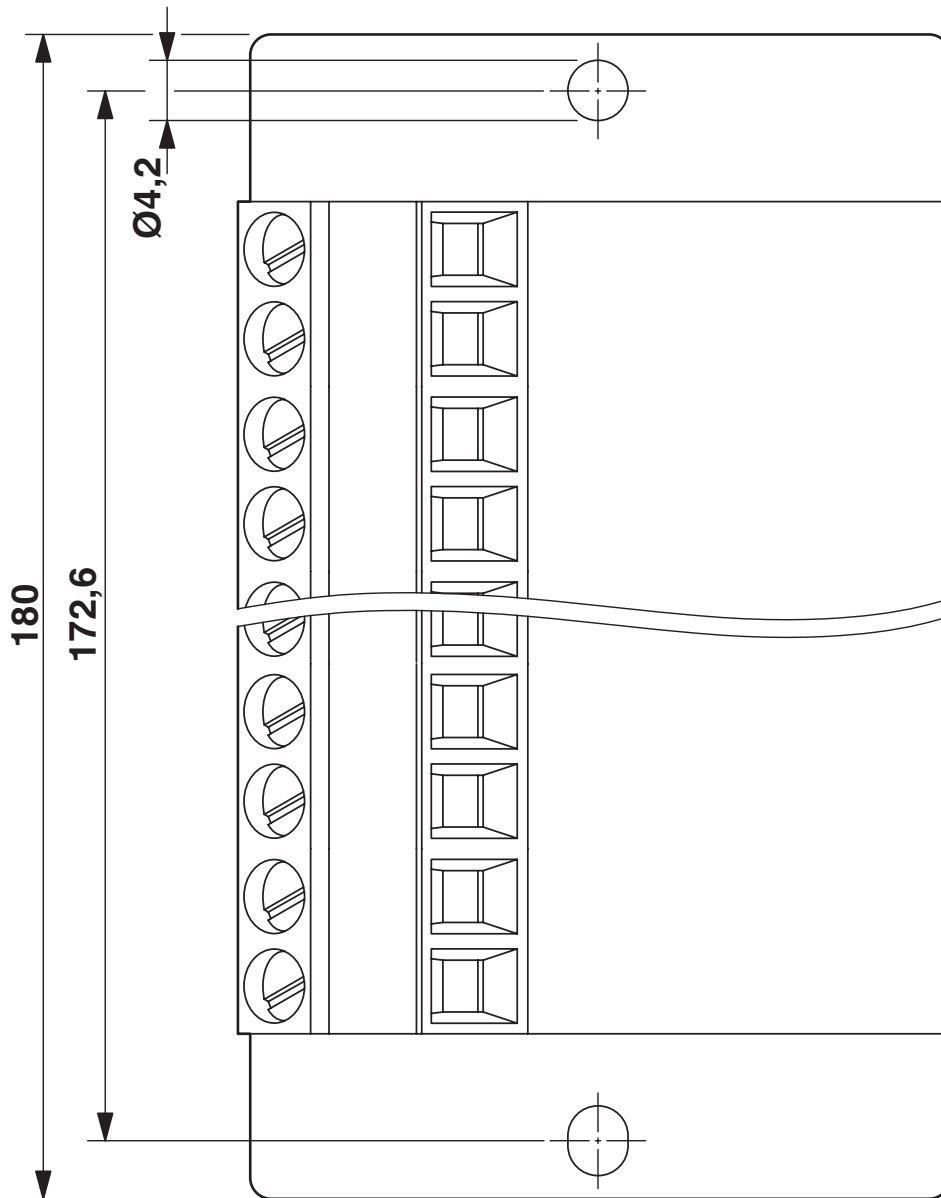


2300889

<https://www.phoenixcontact.com/us/products/2300889>

Drawings

Dimensional drawing

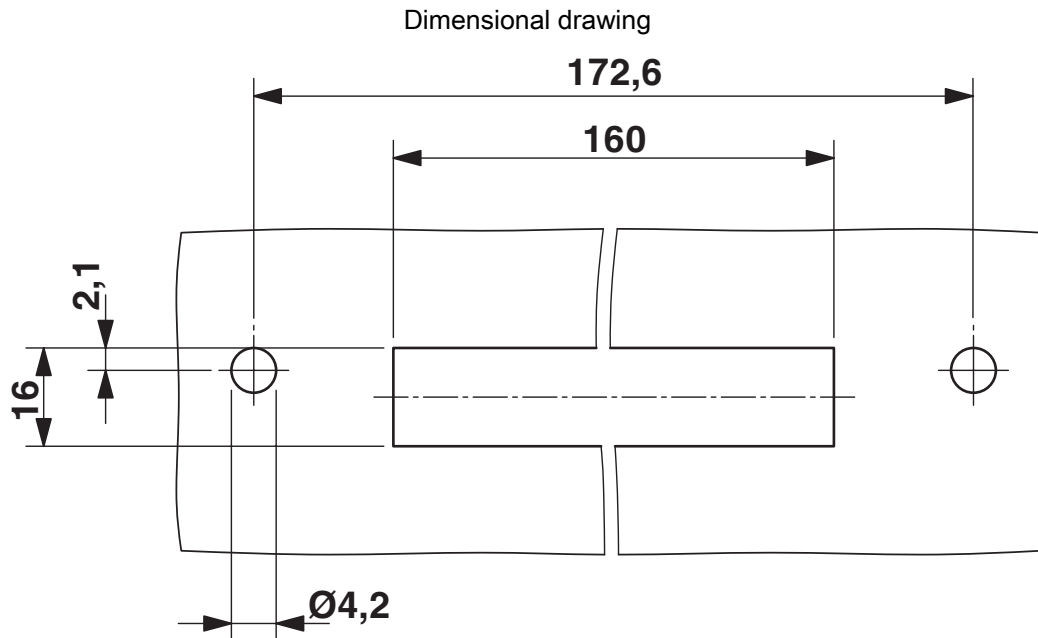


DFLK-32 SMKDS3/SMKDS3 - Termination board

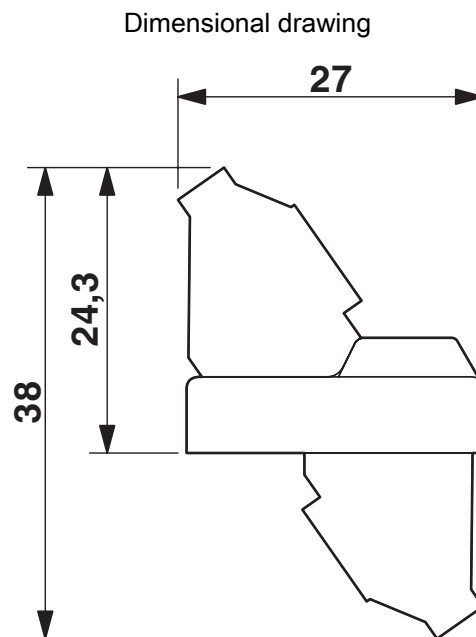


2300889

<https://www.phoenixcontact.com/us/products/2300889>



Dimensioning of the housing cutout



Dimensional drawing DFLK-32 SMKDS3/SMKDS3

DFLK-32 SMKDS3/SMKDS3 - Termination board



2300889

<https://www.phoenixcontact.com/us/products/2300889>

Approvals

To download certificates, visit the product detail page: <https://www.phoenixcontact.com/us/products/2300889>



EAC

Approval ID: RU*DE.*09.B.00387/20

DFLK-32 SMKDS3/SMKDS3 - Termination board



2300889

<https://www.phoenixcontact.com/us/products/2300889>

Classifications

ECLASS

ECLASS-13.0	27141152
ECLASS-15.0	27141152

ETIM

ETIM 10.0	EC002780
-----------	----------

UNSPSC

UNSPSC 21.0	39121400
-------------	----------

DFLK-32 SMKDS3/SMKDS3 - Termination board



2300889

<https://www.phoenixcontact.com/us/products/2300889>

Environmental product compliance

EU RoHS

Fulfills EU RoHS substance requirements	Yes, No exemptions
---	--------------------

China RoHS

Environment friendly use period (EFUP)	EFUP-E
	No hazardous substances above the limits

EU REACH SVHC

REACH candidate substance (CAS No.)	No substance above 0.1 wt%
-------------------------------------	----------------------------

Phoenix Contact 2026 © - all rights reserved
<https://www.phoenixcontact.com>

Phoenix Contact USA
586 Fulling Mill Road
Middletown, PA 17057, United States
(+717) 944-1300
info@phoenixcon.com