

SIM-EI-OV- 24DC/ 24DC/3 - Miniature solid-state relay



2300096

<https://www.phoenixcontact.com/us/products/2300096>

Please be informed that the data shown in this PDF document is generated from our online catalog. Please find the complete data in the user documentation. Our general terms of use for downloads are valid.



Power solid-state relay, with protective circuit in input and output circuits, 24 V DC. DC voltage output of 3 A, max.

Commercial data

Item number	2300096
Packing unit	1 pc
Note	Made to order (non-returnable)
Sales key	C460
Product key	DK61F1
GTIN	4017918887193
Weight per piece (including packing)	18.92 g
Weight per piece (excluding packing)	18.8 g
Customs tariff number	85364190
Country of origin	DE

2300096

<https://www.phoenixcontact.com/us/products/2300096>

Technical data

Product properties

Product type	Single solid-state relay
Data management status	
Date of last data management	01.04.2026

Electrical properties

Test voltage (Input/output)	2.5 kV (50 Hz, 1 min., input/output)
-----------------------------	--------------------------------------

Input data

Nominal input voltage U_N	24 V DC
Input voltage range in reference to U_N	0.8 ... 1.2
Input voltage range	19.2 V DC ... 28.8 V DC
Switching threshold "0" signal in reference to U_N	≤ 0.4
Switching threshold "1" signal in reference to U_N	≥ 0.8
Typical input current at U_N	7 mA
Protective circuit	Reverse polarity protection Surge protection
Transmission frequency	300 Hz

Output data

Design of digital output	electronic
Output nominal voltage	24 V DC
Output voltage range	3 V DC ... 33 V DC
Limiting continuous current	3 A (see derating curve)
Maximum inrush current	15 A (10 ms)
Voltage drop at max. limiting continuous current	≤ 200 mV
Output circuit	2-conductor, floating
Protective circuit	Reverse polarity protection; Polarity protection diode Surge protection

Dimensions

Width	13 mm
Height	29 mm
Depth	25 mm

Environmental and real-life conditions

Ambient conditions

Ambient temperature (operation)	-20 °C ... 60 °C
Ambient temperature (storage/transport)	-20 °C ... 70 °C

Standards and regulations

SIM-EI-OV- 24DC/ 24DC/3 - Miniature solid-state relay



2300096

<https://www.phoenixcontact.com/us/products/2300096>

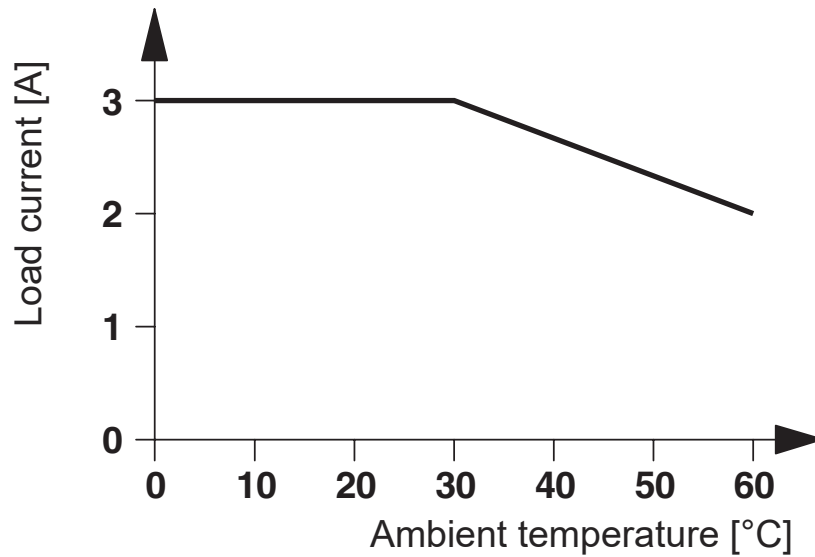
Standards/regulations	DIN VDE 0110
-----------------------	--------------

Mounting

Assembly note	can be aligned with spacing ≥ 2 mm
Mounting position	any

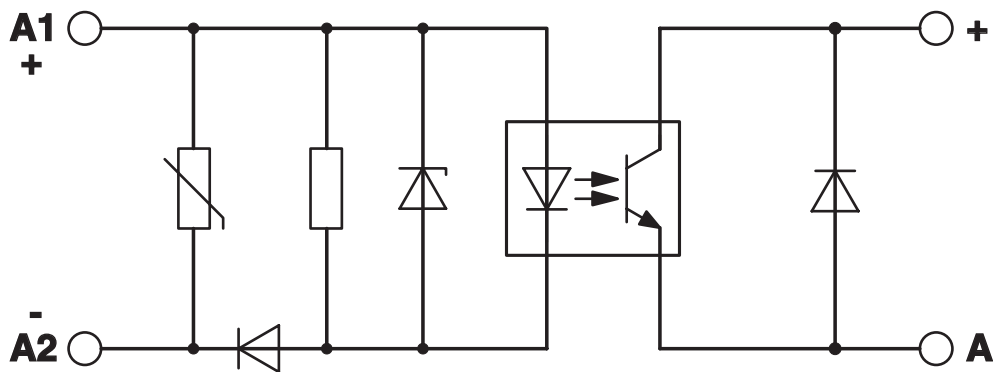
Drawings

Diagram



Derating curve for SIM-EI-OV-24 DC/24 DC/3

Circuit diagram



SIM-EI-OV- 24DC/ 24DC/3 - Miniature solid-state relay



2300096

<https://www.phoenixcontact.com/us/products/2300096>

Classifications

UNSPSC

UNSPSC 21.0	39122326
-------------	----------

2300096

<https://www.phoenixcontact.com/us/products/2300096>

Environmental product compliance

EU RoHS

Fulfills EU RoHS substance requirements	Yes
Exemption	7(a), 7(c)-I

China RoHS

Environment friendly use period (EFUP)	EFUP-50
	An article-related China RoHS declaration table can be found in the download area for the respective article under "Manufacturer declaration". For all articles with EFUP-E, no China RoHS declaration table issued and required.

EU REACH SVHC

REACH candidate substance (CAS No.)	Lead(CAS: 7439-92-1)
-------------------------------------	----------------------

Phoenix Contact 2026 © - all rights reserved
<https://www.phoenixcontact.com>

Phoenix Contact USA
586 Fulling Mill Road
Middletown, PA 17057, United States
(+717) 944-1300
info@phoenixcon.com