

# ELR 2/I-230/Z - Power contactor



2298221

<https://www.phoenixcontact.com/us/products/2298221>

Please be informed that the data shown in this PDF document is generated from our online catalog. Please find the complete data in the user documentation. Our general terms of use for downloads are valid.



Electronic load relay, 1-phase, 2-channel, for intelligent control of ohmic and inductive loads

## Commercial data

Item number	2298221
Packing unit	1 pc
Note	Made to order (non-returnable)
Sales key	NULL
Product key	DK712Y
GTIN	4017918819064
Weight per piece (including packing)	754.3 g
Weight per piece (excluding packing)	647.78 g
Customs tariff number	85371099
Country of origin	DE

# ELR 2/I-230/Z - Power contactor



2298221

<https://www.phoenixcontact.com/us/products/2298221>

## Technical data

### Product properties

Product type	Solid-state contactor
Operating mode	100% operating factor

### Insulation characteristics

Overvoltage category	III
Pollution degree	2

### Electrical properties

Number of phases	1
Mains type	1-phase
Test voltage (Input/output)	4 kV AC (50 Hz, 60 s)

### Supply

Input name	Device supply
Nominal supply voltage	24 V DC
Protective circuit	Reverse polarity protection; Polarity protection diode Surge protection; Suppressor diode
Operating voltage display	Yellow LED

### Output data

#### OUT 1, OUT 2

Nominal output voltage range	180 V AC ... 275 V AC
Peak offstate voltage	600 V
Mains frequency	50 Hz 60 Hz
Continuous load current	2x 13 A (see derating curve)
Load current range	75 mA
Leakage current	typ. 6.5 mA
Residual voltage	1.5 V
Surge current	200 A (tp = 10 ms)
Max. load value	220 A <sup>2</sup> s (tp = 10 ms)
Protective circuit	RC element Varistor
Surge voltage protection	275 V AC

### Connection data

#### Control circuits

Connection method	Screw connection
Stripping length	8 mm
Screw thread	M3

# ELR 2/I-230/Z - Power contactor



2298221

<https://www.phoenixcontact.com/us/products/2298221>

Conductor cross-section rigid	0.2 mm <sup>2</sup> ... 6 mm <sup>2</sup>
Conductor cross-section flexible	0.2 mm <sup>2</sup> ... 4 mm <sup>2</sup>
Conductor cross-section AWG	24 ... 10

## Load circuit

Connection method	Screw connection
Stripping length	8 mm
Screw thread	M3
Conductor cross-section rigid	0.2 mm <sup>2</sup> ... 6 mm <sup>2</sup>
Conductor cross-section flexible	0.2 mm <sup>2</sup> ... 4 mm <sup>2</sup>
Conductor cross-section AWG	24 ... 10

## Dimensions

Width	62 mm
Height	84 mm
Depth	110 mm

## Material specifications

Color	green (RAL 6021)
-------	------------------

## Environmental and real-life conditions

### Ambient conditions

Degree of protection	IP20
Ambient temperature (operation)	-25 °C ... 40 °C
Ambient temperature (storage/transport)	-25 °C ... 70 °C

## Standards and regulations

Standards/regulations	EN 50178
-----------------------	----------

## Mounting

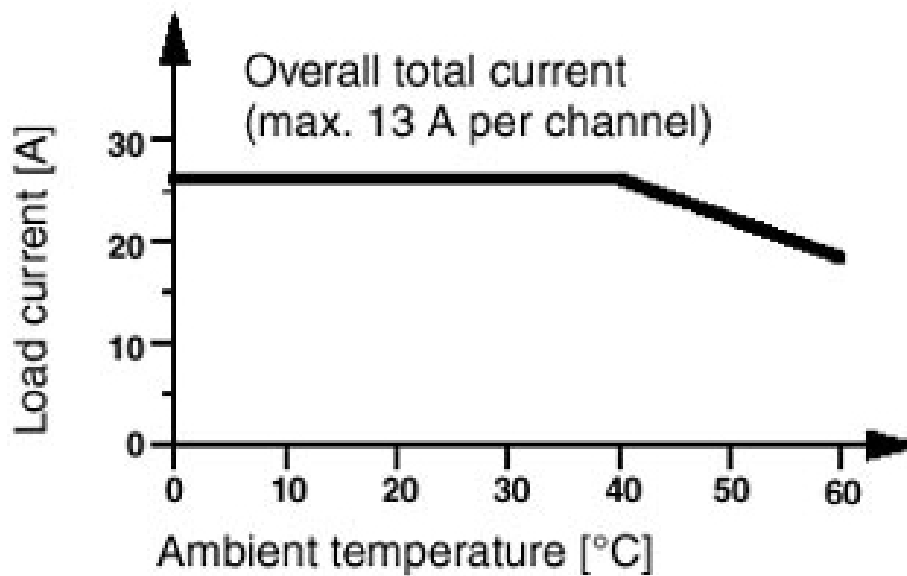
Assembly note	can be aligned with spacing = 20 mm
Mounting position	Vertical (horizontal DIN rail)

Drawings

Diagram

**Load current dependent on the ambient temperature for ELR 2/I-230/Z**

Duty cycle: 100% operating factor

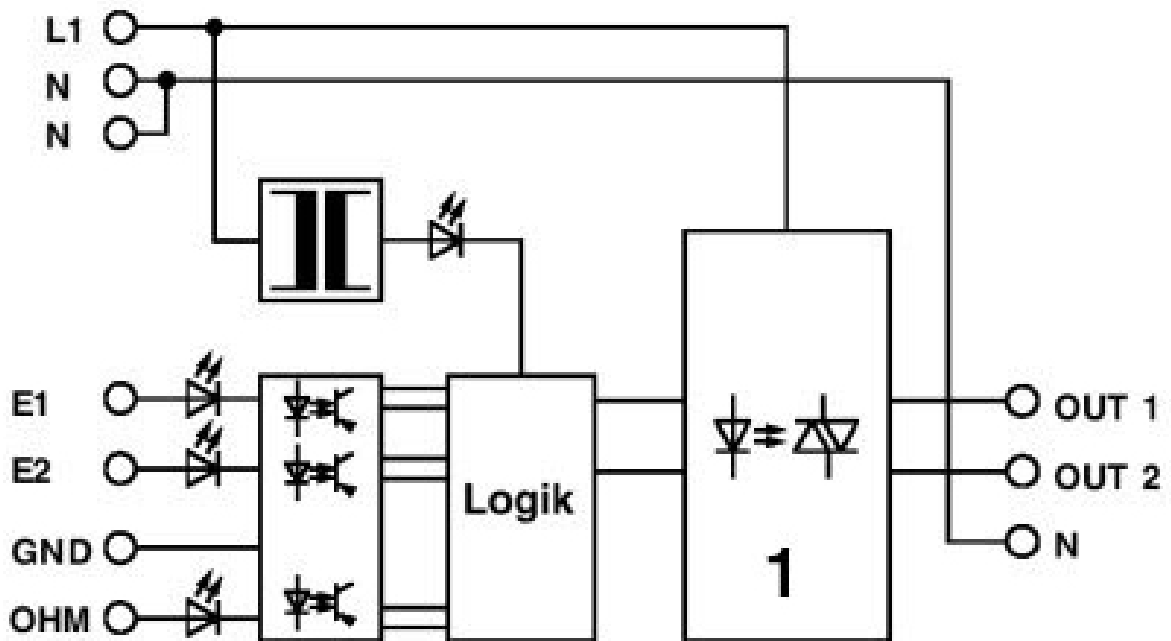


# ELR 2/I-230/Z - Power contactor

2298221

<https://www.phoenixcontact.com/us/products/2298221>

Circuit diagram



1 = power section

# ELR 2/I-230/Z - Power contactor



2298221

<https://www.phoenixcontact.com/us/products/2298221>

## Environmental product compliance

### China RoHS

Environment friendly use period (EFUP)	EFUP-50
	An article-related China RoHS declaration table can be found in the download area for the respective article under "Manufacturer declaration". For all articles with EFUP-E, no China RoHS declaration table issued and required.

### EU REACH SVHC

REACH candidate substance (CAS No.)	No substance above 0.1 wt%
-------------------------------------	----------------------------

Phoenix Contact 2026 © - all rights reserved  
<https://www.phoenixcontact.com>

Phoenix Contact USA  
586 Fulling Mill Road  
Middletown, PA 17057, United States  
(+717) 944-1300  
[info@phoenixcon.com](mailto:info@phoenixcon.com)