

# EMM 3-230AC/500AC-16-IFS - Motor management



2297536

<https://www.phoenixcontact.com/us/products/2297536>

Please be informed that the data shown in this PDF document is generated from our online catalog. Please find the complete data in the user documentation. Our general terms of use for downloads are valid.



Electronic motor management with integrated current transformers up to 16 A - active power measurement for overload and underload monitoring of motors and systems for optimum protection. Freely parameterizable switching and signaling thresholds.

## Your advantages

- Optional connection to INTERFACE system and PROFIBUS-GATEWAY-IFS via TBUS
- Freely parameterizable signaling or switching thresholds
- Digital outputs control external switching elements

## Commercial data

Item number	2297536
Packing unit	1 pc
Note	Made to order (non-returnable)
Sales key	C475
Product key	DK7511
GTIN	4046356175784
Weight per piece (including packing)	276.5 g
Weight per piece (excluding packing)	276.5 g
Customs tariff number	85371098
Country of origin	DE

## Technical data

### Notes

#### Utilization restriction

EMC note	EMC: class A product, see manufacturer's declaration in the download area
----------	---

### Product properties

Product type	Electronic motor manager
Operating mode	100% operating factor

### Electrical properties

Number of phases	3
Maximum power dissipation for nominal condition	5.5 W
Test voltage input/output	8 kV

#### Supply

Rated control circuit supply voltage $U_S$	230 V AC
Control supply voltage range	92 V AC ... 253 V AC
Rated control supply current $I_S$	10 mA
Switching threshold	48 V AC ("0" signal)
	96 V AC ("1" signal)

#### Insulation characteristics

Rated insulation voltage	500 V
Rated surge voltage	6 kV
Overvoltage category	III
Degree of pollution	2
Insulation characteristics between the input and output circuits	Safe isolation (IEC 60947-1)
Insulation characteristics between the thermistor input and output	Basic insulation (IEC 60947-1)

### Input data

#### Digital inputs (IN1 - IN4)

Number of inputs	4 (IN1 - IN4)
Rated actuating voltage $U_C$	230 V AC
Rated actuating current $I_C$	3.5 mA

#### Voltage measuring input V1, V2, V3

Input voltage range	42 V AC ... 575 V AC
Typical input current at $U_N$	< 0.5 mA

#### Current measuring input L1/T1, L2/T2, L3/T3

Typical input current at $U_N$	≤ 16 A
--------------------------------	--------

#### Power measurement

Basic accuracy	typ. 2 %
Power range	14 kW

#### Voltage measurement/star voltage

Basic accuracy	typ. 0.75 %
Voltage range	0 V AC ... 350 V AC (Phase-to-neutral voltage)

#### Current measurement

Basic accuracy	typ. 0.5 %
Current range	400 mA ... 16 A
Measuring via	Internal current transformer

### Output data

Output name	Acknowledging contacts O1-O4
Note	The meaning of the acknowledgement outputs can be freely parameterized, see user manual
Number of outputs	4
Nominal output voltage	230 V AC (Relay output)
Continuous load current	500 mA

### Connection data

#### Control circuits

Connection method	Screw connection
Stripping length	8 mm
Screw thread	M3
Conductor cross-section rigid	0.2 mm <sup>2</sup> ... 2.5 mm <sup>2</sup>
Conductor cross-section flexible	0.2 mm <sup>2</sup> ... 2.5 mm <sup>2</sup>
Conductor cross-section AWG	24 ... 14

#### Load circuit

Connection method	Screw connection
Stripping length	8 mm
Screw thread	M3
Conductor cross-section rigid	0.2 mm <sup>2</sup> ... 2.5 mm <sup>2</sup>
Conductor cross-section flexible	0.2 mm <sup>2</sup> ... 2.5 mm <sup>2</sup>
Conductor cross-section AWG	24 ... 14

### Signaling

Status display	LED yellow right rotation (R), LED yellow left rotation (L), LED green data communication
Operating voltage display	Green LED
Error indication	Red LED

### Dimensions

Width	22.5 mm
Height	99 mm

Depth	114.5 mm
-------	----------

## Material specifications

Color	gray (RAL 7042)
-------	-----------------

## Environmental and real-life conditions

### Ambient conditions

Degree of protection	IP20
Ambient temperature (operation)	-25 °C ... 70 °C
Ambient temperature (storage/transport)	-25 °C ... 70 °C

## Approvals

### ATEX

Identification	⊕ II (2) G [Ex e] [Ex d] [Ex px]
	⊕ II (2) D [Ex t] [Ex p]
Certificate	PTB 10 ATEX 3024

### UL, USA/Canada

Certificate	NKCR.E140324
-------------	--------------

### Safety Integrity Level (SIL, IEC 61508)

Identification	≤ 1
Note	Safe shutdown

### Safety Integrity Level (SIL, IEC 61508)

Identification	1
Note	Motor protection

### Category (ISO 13849)

Identification	≤ 1
Note	Safe shutdown

### Performance Level

Identification	≤ b
Note	Safe shutdown

## Standards and regulations

### Standards/regulations

Standards/regulations	DIN EN 50178
	EN 60947
	EN 60947-4-2

## Mounting

Mounting type	DIN rail mounting
Assembly note	in rows with zero spacing

# EMM 3-230AC/500AC-16-IFS - Motor management



2297536

<https://www.phoenixcontact.com/us/products/2297536>

Mounting position

Vertical (horizontal DIN rail)

# EMM 3-230AC/500AC-16-IFS - Motor management

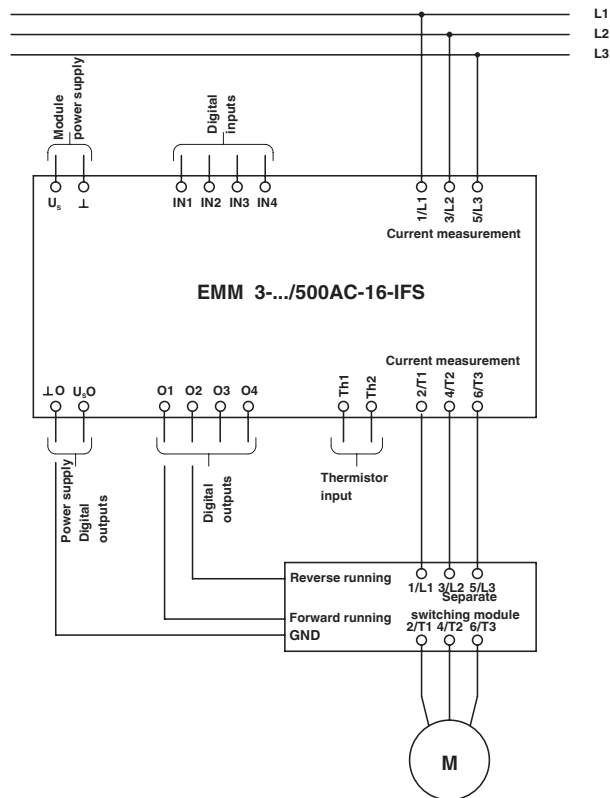


2297536

<https://www.phoenixcontact.com/us/products/2297536>

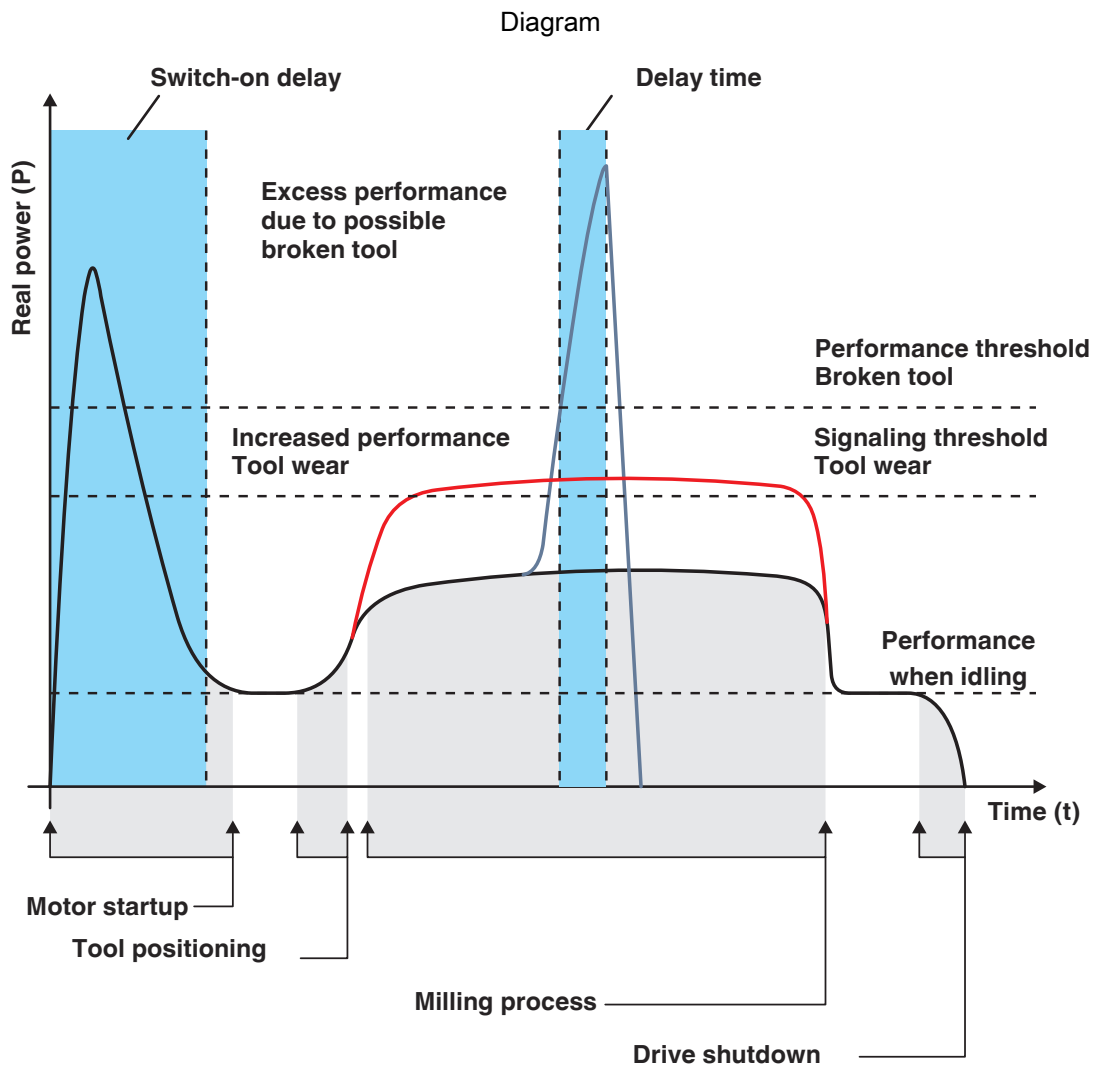
## Drawings

Connection diagram



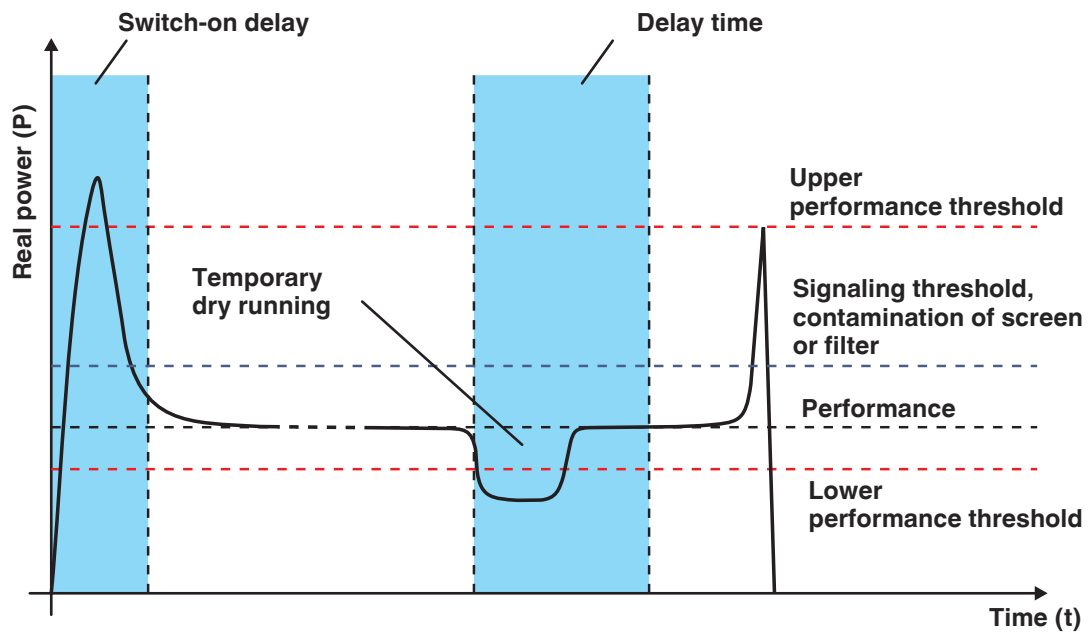
2297536

<https://www.phoenixcontact.com/us/products/2297536>



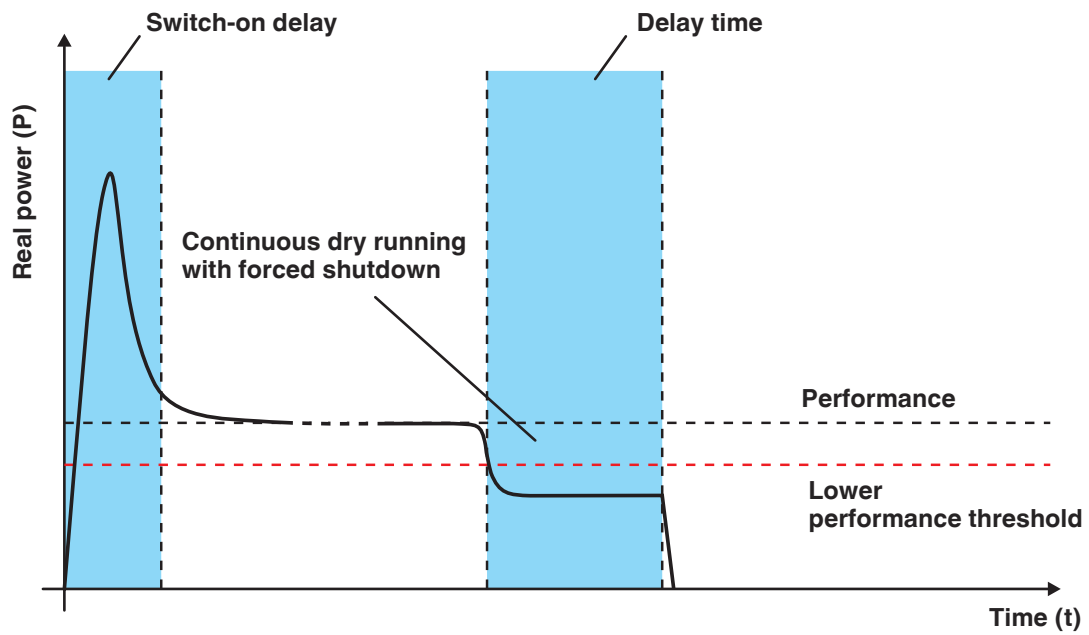
Status monitoring: machine tool for milling

Diagram



Status monitoring: air bubbles in motor-operated pumps

Diagram



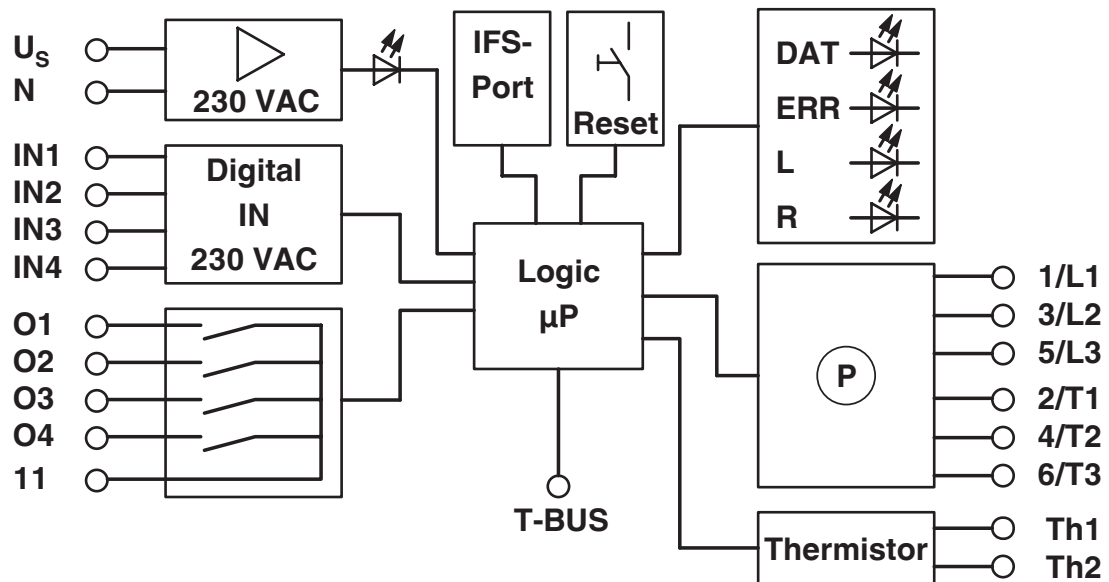
Status monitoring: dry run in motor-operated pumps

# EMM 3-230AC/500AC-16-IFS - Motor management

2297536

<https://www.phoenixcontact.com/us/products/2297536>

Block diagram



# EMM 3-230AC/500AC-16-IFS - Motor management



2297536

<https://www.phoenixcontact.com/us/products/2297536>

## Classifications

### UNSPSC

UNSPSC 21.0	39121104
-------------	----------

2297536

<https://www.phoenixcontact.com/us/products/2297536>

## Environmental product compliance

### EU RoHS

Fulfills EU RoHS substance requirements	Yes
Exemption	6(c), 7(a), 7(c)-I, 7(c)-II

### China RoHS

Environment friendly use period (EFUP)	EFUP-50
	An article-related China RoHS declaration table can be found in the download area for the respective article under "Manufacturer declaration". For all articles with EFUP-E, no China RoHS declaration table issued and required.

### EU REACH SVHC

REACH candidate substance (CAS No.)	Lead(CAS: 7439-92-1)
-------------------------------------	----------------------

Phoenix Contact 2026 © - all rights reserved  
<https://www.phoenixcontact.com>

Phoenix Contact USA  
586 Fulling Mill Road  
Middletown, PA 17057, United States  
(+717) 944-1300  
[info@phoenixcon.com](mailto:info@phoenixcon.com)