

FLKM 50/4-FLK14/PA-S300 - Front adapter



2296281

<https://www.phoenixcontact.com/us/products/2296281>

Please be informed that the data shown in this PDF document is generated from our online catalog. Please find the complete data in the user documentation. Our general terms of use for downloads are valid.

Front adapter, 4 x 8 channels can be connected for SIMATIC S7-300, 14-pos.



Commercial data

Item number	2296281
Packing unit	1 pc
Minimum order quantity	1 pc
Sales key	C421
Product key	DK231S
GTIN	4017918190309
Weight per piece (including packing)	56.8 g
Weight per piece (excluding packing)	57.2 g
Customs tariff number	85369010
Country of origin	DE

FLKM 50/4-FLK14/PA-S300 - Front adapter



2296281

<https://www.phoenixcontact.com/us/products/2296281>

Technical data

Product properties

Product type	Front adapter
Product family	VARIOFACE

Insulation characteristics: Air clearances and creepage distances

Insulation	Functional insulation
Overvoltage category	II
Pollution degree	2

Electrical properties

Operating voltage (AC)	≤ 30 V AC
Operating voltage (DC)	≤ 60 V DC
Nominal operating mode	100% operating factor
Current (per branch)	≤ 1 A
Current (Voltage supply via IDC/FLK)	≤ 2 A
Current (Voltage supply via spade connection)	≤ 8 A

Air clearances and creepage distances

Rated insulation voltage	63 V
Rated surge voltage	0.6 kV (1.2/50 μs)

Supported controller: SIEMENS S7-300 / ET 200 M

Suitable I/O card	CPU 313C
	CPU 313C-2DP
	CPU 313C-2PtP
	CPU 314C-2DP
	CPU 314C-2PtP
	6ES7321-1BL00-0AA0
	6ES7322-8BH01-0AB0
	6ES7331-1KF02-0AB0
	6ES7322-1BL00-0AA0
	6ES7323-1BL00-0AA0
	6ES7331-1KF01-0AB0
	6ES7331-1KF02-0AB0
	6ES7331-7NF00-0AB0
	6ES7331-7NF10-0AB0
	6ES7331-7PF01-0AB0
	6ES7331-7PF11-0AB0
	6ES7332-5HF00-0AB0
	6ES7350-2AH01-0AE0
6ES7357-4AH01-0AE0	

Connection data

FLKM 50/4-FLK14/PA-S300 - Front adapter



2296281

<https://www.phoenixcontact.com/us/products/2296281>

Connection 1 (control level)

Connection method	Plug-in connection
Number of positions	40

Connection 2 (field level)

Connection in acc. with standard	IEC 60603-13
Connection method	IDC/FLK pin strip
Number of connections	4
Number of positions	14
Insertion/withdrawal cycles	> 50
Pitch	2.54 mm

Connection 3 (supply)

Connection method	Spade connection
Number of positions	4
Note	2,8 x 0,8

Dimensions

Item dimensions

Width	115.01 mm
Height	21.3 mm
Depth	29.29 mm

Environmental and real-life conditions

Ambient conditions

Degree of protection (Module)	IP00
Degree of protection (Installation location)	≥ IP54
Ambient temperature (operation)	-20 °C ... 50 °C
Ambient temperature (storage/transport)	-20 °C ... 70 °C
Altitude	≤ 2000 m

Standards and regulations

Air clearances and creepage distances

Standards/regulations	EN IEC 60664-1
-----------------------	----------------

Mounting

Mounting type	Plug-in mounting
Mounting position	any

Notes

Notes on operation	For proper use, the specifications of the installation directive (see Downloads) must be observed. For applications or use with third-party products, the specifications, and the safety and warning instructions of the respective third-party manufacturer must also be met.
--------------------	--

FLKM 50/4-FLK14/PA-S300 - Front adapter



2296281

<https://www.phoenixcontact.com/us/products/2296281>

Notes on operation

To prevent short circuits, all wire bridges on the following I/O cards are to be separated.

There may not be any voltage supply at the front adapter.

6ES7 331-1KF01-0AB0

6ES7 331-1KF02-0AB0

6ES7 331-7NF00-0AB0

6ES7 331-7NF10-0AB0

6ES7 331-7PF01-0AB0

6ES7 331-7PF11-0AB0

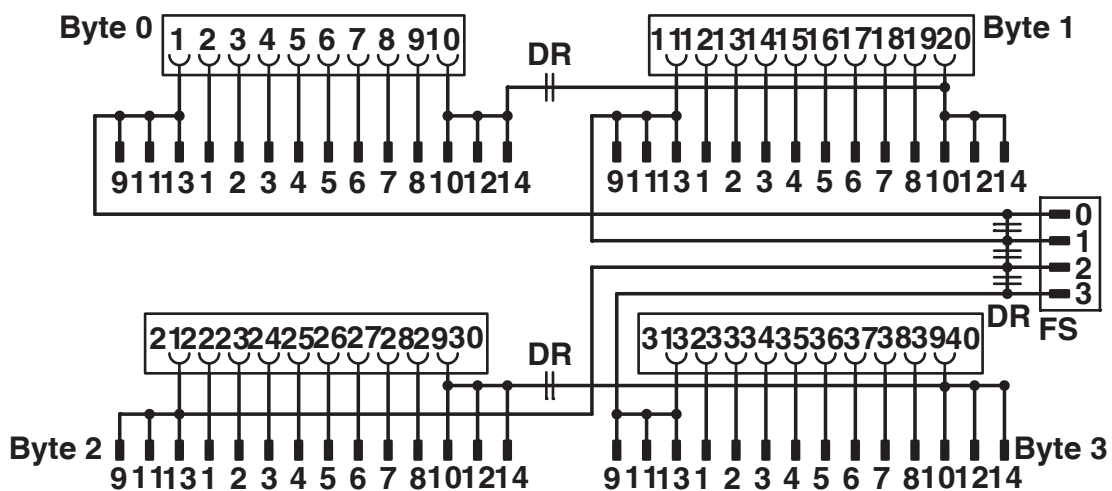
6ES7 332-5HF00-0AB0

6ES7 350-2AH01-0AE0

6ES7 357-4AH01-0AE0

Drawings

Circuit diagram



Connection scheme FLKM 50/4-FLK14/PA-S300

FLKM 50/4-FLK14/PA-S300 - Front adapter





2296281

<https://www.phoenixcontact.com/us/products/2296281>

Approvals

To download certificates, visit the product detail page: <https://www.phoenixcontact.com/us/products/2296281>

 cUL Recognized Approval ID: E238705				
	Nominal voltage U_N	Nominal current I_N	Cross section AWG	Cross section mm^2
keine				
	125 V	1 A	-	-

 UL Recognized Approval ID: E238705				
	Nominal voltage U_N	Nominal current I_N	Cross section AWG	Cross section mm^2
keine				
	125 V	1 A	-	-

FLKM 50/4-FLK14/PA-S300 - Front adapter



2296281

<https://www.phoenixcontact.com/us/products/2296281>

Classifications

ECLASS

ECLASS-13.0	27242292
ECLASS-15.0	27242292

ETIM

ETIM 10.0	EC002584
-----------	----------

UNSPSC

UNSPSC 21.0	32151600
-------------	----------

FLKM 50/4-FLK14/PA-S300 - Front adapter



2296281

<https://www.phoenixcontact.com/us/products/2296281>

Environmental product compliance

EU RoHS

Fulfills EU RoHS substance requirements	Yes, No exemptions
---	--------------------

China RoHS

Environment friendly use period (EFUP)	EFUP-E
	No hazardous substances above the limits

EU REACH SVHC

REACH candidate substance (CAS No.)	No substance above 0.1 wt%
-------------------------------------	----------------------------

Phoenix Contact 2026 © - all rights reserved
<https://www.phoenixcontact.com>

Phoenix Contact USA
586 Fulling Mill Road
Middletown, PA 17057, United States
(+717) 944-1300
info@phoenixcon.com