

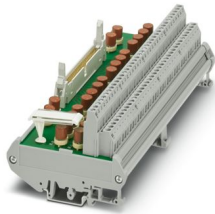
FLKM 50/32M/SI/PLC - Passive module



2294490

<https://www.phoenixcontact.com/us/products/2294490>

Please be informed that the data shown in this PDF document is generated from our online catalog. Please find the complete data in the user documentation. Our general terms of use for downloads are valid.



VARIOFACE module, for 32 channels, each with an additional terminal block and fuse per signal, (common minus potential)

Your advantages

- Plug-in fuse (IEC 127-3, 2AF) per voltage supply (F2)
- Byte-by-byte labeling
- Negative connection per signal
- Plug-in fuse (IEC 127-3, 1AF) per signal path (F1)
- Can be used for digital I/O modules

Commercial data

Item number	2294490
Packing unit	1 pc
Minimum order quantity	1 pc
Note	Made to order (non-returnable)
Sales key	C421
Product key	DK2181
GTIN	4017918148973
Weight per piece (including packing)	459.8 g
Weight per piece (excluding packing)	339.2 g
Customs tariff number	85369010
Country of origin	DE

FLKM 50/32M/SI/PLC - Passive module



2294490

<https://www.phoenixcontact.com/us/products/2294490>

Technical data

Product properties

Product type	Interface module
Product family	VARIOFACE
Number of positions	50
No. of channels	32

Insulation characteristics: Air clearances and creepage distances

Insulation	Functional insulation
Overvoltage category	II
Pollution degree	2

Electrical properties

Operating voltage (DC)	≤ 60 V DC
Fuse	1 A TR5 (fast-blow) (F1 ... F32)
	2 A TR5 (fast-blow) (F33 ... F36)
Current (per branch)	≤ 1 A
Current (Voltage supply per byte)	≤ 2 A

Air clearances and creepage distances

Rated insulation voltage	63 V
Rated surge voltage	0.6 kV (1.2/50 μs)

Supported controller: SIEMENS S7-1500

Suitable I/O card	6ES7521-1BL00-0AB0
	6ES7522-1BL00-0AB0
	6ES7522-1BL01-0AB0

Supported controller: SIEMENS S7-400

Suitable I/O card	6ES7421-1BL01-0AA0
	6ES7422-1BL00-0AA0
	6ES7422-7BL00-0AB0

Supported controller: ALLEN-BRADLEY PLC 5

Suitable I/O card	1771 IBN
	1771 OBN

Supported controller: HONEYWELL Experion PKS C200

Suitable I/O card	TC-IDD 321
	TC-ODD 321

Supported controller: MITSUBISHI MELSEC L

Suitable I/O card	LX41C4
	LX42C4
	LY41NT1P

FLKM 50/32M/SI/PLC - Passive module



2294490

<https://www.phoenixcontact.com/us/products/2294490>

	LY42NT1P
	LY41PT1P
	LY42PT1P

Supported controller: MITSUBISHI MELSEC Q

Suitable I/O card	QX81
	QY81P
	QX41
	QX41-S1
	QX42
	QX42-S1
	QX71
	QX72
	QY41P
	QY42P
	QY71
	QH42P
	QX82
	QX82-S1
	QY82P

Supported controller: SCHNEIDER ELECTRIC Modicon TSX QUANTUM

Suitable I/O card	DDI 353
	DDI 853
	DAI 453
	DDO 353

Supported controller: SIEMENS S7-300 / ET 200 M

Suitable I/O card	CPU 313C-2DP
	CPU 314C-2DP
	CPU 314C-2PtP
	6ES7321-1BL00-0AA0
	6ES7322-1BL00-0AA0
	6ES7323-1BL00-0AA0
	CPU 313C
	CPU 313C-2PtP

Supported controller: GE-FANUC RX3i

Suitable I/O card	IC694MDL754
	IC694MDL660

Connection data

Connection 1 (control level)

Connection in acc. with standard	IEC 60603-13
Connection method	IDC/FLK pin strip

FLKM 50/32M/SI/PLC - Passive module



2294490

<https://www.phoenixcontact.com/us/products/2294490>

Number of connections	1
Number of positions	50
Insertion/withdrawal cycles	> 50
Pitch	2.54 mm

Connection 2 (field level)

Connection method	Screw connection
Stripping length	7 mm
Screw thread	M3
Number of positions	72
Conductor cross-section rigid	0.2 mm ² ... 4 mm ²
Conductor cross-section rigid (2 conductors with same cross section)	0.2 mm ² ... 1.5 mm ²
Conductor cross-section flexible	0.2 mm ² ... 2.5 mm ²
	0.25 mm ² ... 1.5 mm ² (Ferrule without plastic sleeve)
	0.25 mm ² ... 2.5 mm ² (Ferrule with plastic sleeve)
Conductor cross-section flexible (2 conductors with same cross section)	0.2 mm ² ... 1.5 mm ²
	0.25 mm ² ... 0.75 mm ² (Ferrule without plastic sleeve)
	0.5 mm ² ... 0.5 mm ² (TWIN ferrule with plastic sleeve)
Conductor cross-section AWG	24 ... 12
Tightening torque	0.5 Nm ... 0.6 Nm
Pitch	5.08 mm

Signaling

Status display present	no
------------------------	----

Dimensions

Item dimensions

Width	190.8 mm
Height	89.6 mm
Depth	65.9 mm

Material specifications

Color	gray (RAL 7042)
Housing insulation material	PVC

Environmental and real-life conditions

Ambient conditions

Degree of protection (Module)	IP00
Degree of protection (Installation location)	≥ IP54
Ambient temperature (operation)	-20 °C ... 50 °C
Ambient temperature (storage/transport)	-20 °C ... 70 °C
Altitude	≤ 2000 m

FLKM 50/32M/SI/PLC - Passive module



2294490

<https://www.phoenixcontact.com/us/products/2294490>

Approvals

UKCA

Certificate	UKCA-compliant
-------------	----------------

Standards and regulations

Air clearances and creepage distances

Standards/regulations	EN IEC 60664-1
-----------------------	----------------

Mounting

Mounting type	DIN rail mounting
Mounting position	any

Notes

Notes on operation	For proper use, the specifications of the installation directive (see Downloads) must be observed. For applications or use with third-party products, the specifications, and the safety and warning instructions of the respective third-party manufacturer must also be met.
--------------------	--------------------------------------------------------------------------------------------------------------------------------------------------------------------------------------------------------------------------------------------------------------------------------

FLKM 50/32M/SI/PLC - Passive module

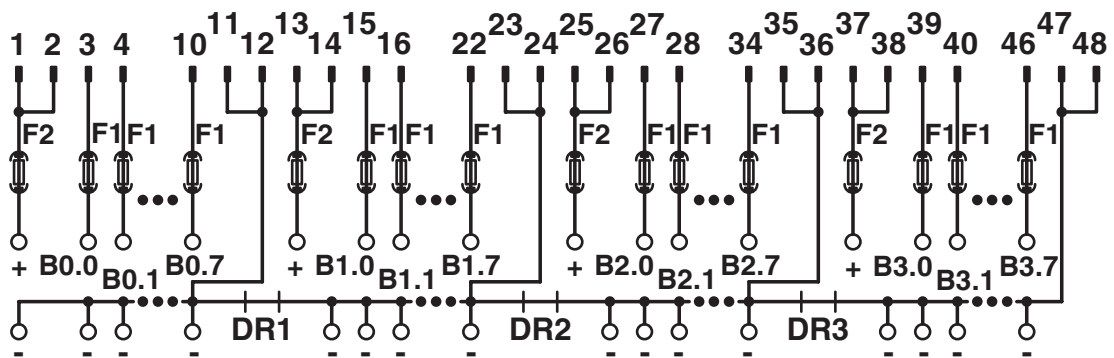


2294490

<https://www.phoenixcontact.com/us/products/2294490>

Drawings

Circuit diagram



Connection scheme: FLKM 50/32M/SI/PLC

FLKM 50/32M/SI/PLC - Passive module





2294490

<https://www.phoenixcontact.com/us/products/2294490>

Approvals

To download certificates, visit the product detail page: <https://www.phoenixcontact.com/us/products/2294490>

 cUL Recognized Approval ID: E238705				
	Nominal voltage U_N	Nominal current I_N	Cross section AWG	Cross section mm^2
keine				
	125 V	1 A	-	-

 UL Recognized Approval ID: E238705				
	Nominal voltage U_N	Nominal current I_N	Cross section AWG	Cross section mm^2
keine				
	125 V	1 A	-	-

FLKM 50/32M/SI/PLC - Passive module



2294490

<https://www.phoenixcontact.com/us/products/2294490>

Classifications

ECLASS

ECLASS-13.0	27141152
ECLASS-15.0	27141152

ETIM

ETIM 10.0	EC002780
-----------	----------

UNSPSC

UNSPSC 21.0	39121400
-------------	----------

FLKM 50/32M/SI/PLC - Passive module



2294490

<https://www.phoenixcontact.com/us/products/2294490>

Environmental product compliance

EU RoHS

Fulfills EU RoHS substance requirements	Yes
Exemption	6(c)

China RoHS

Environment friendly use period (EFUP)	EFUP-50
	An article-related China RoHS declaration table can be found in the download area for the respective article under "Manufacturer declaration". For all articles with EFUP-E, no China RoHS declaration table issued and required.

EU REACH SVHC

REACH candidate substance (CAS No.)	Lead(CAS: 7439-92-1)
SCIP	818cc1ab-b9df-4b78-bbde-dbc41b39ba6d

Phoenix Contact 2026 © - all rights reserved

<https://www.phoenixcontact.com>

Phoenix Contact USA
586 Fulling Mill Road
Middletown, PA 17057, United States
(+717) 944-1300
info@phoenixcon.com