

FLKM 50-PA-SLC500/OUT/2A - Front adapter



2293446

<https://www.phoenixcontact.com/us/products/2293446>

Please be informed that the data shown in this PDF document is generated from our online catalog. Please find the complete data in the user documentation. Our general terms of use for downloads are valid.



VARIOFACE front adapter, 1 x 16 channels can be connected for Allen-Bradley SLC 500 1746 OA16 and OW16

Your advantages

- Suitable VARIOFACE termination boards with a wide range of functions and connection options

Commercial data

Item number	2293446
Packing unit	1 pc
Note	Made to order (non-returnable)
Sales key	C421
Product key	DK231R
GTIN	4017918108847
Weight per piece (including packing)	59 g
Weight per piece (excluding packing)	58.6 g
Customs tariff number	85369010
Country of origin	DE

FLKM 50-PA-SLC500/OUT/2A - Front adapter



2293446

<https://www.phoenixcontact.com/us/products/2293446>

Technical data

Product properties

Product type	Front adapter
--------------	---------------

Insulation characteristics

Insulation	Functional insulation
Overvoltage category	II
Pollution degree	2

Electrical properties

Operating voltage (AC)	≤ 25 V AC
Operating voltage (DC)	≤ 60 V DC
Current (Per path)	≤ 2 A
Current (Total current per byte)	≤ 7 A (Feed-in via connector)
Rated insulation voltage	63 V
Rated surge voltage	0.6 kV

Supported controller: ALLEN-BRADLEY SLC 500

Suitable I/O card	1746 OA16
	1746 OW16

Connection data

Field level

Connection method	IDC/FLK pin strip
Number of connections	1
Number of positions	50
Pitch	2.54 mm

Environmental and real-life conditions

Ambient conditions

Degree of protection	IP20
Ambient temperature (operation)	-20 °C ... 50 °C
Ambient temperature (storage/transport)	-20 °C ... 70 °C

Standards and regulations

Standards/regulations	IEC 60664
	DIN EN 50178

Mounting

Mounting position	any
-------------------	-----

Notes

Notes on operation	For proper use, the specifications of the installation directive (see
--------------------	---

FLKM 50-PA-SLC500/OUT/2A - Front adapter



2293446

<https://www.phoenixcontact.com/us/products/2293446>

Downloads) must be observed. For applications or use with third-party products, the specifications, and the safety and warning instructions of the respective third-party manufacturer must also be met.

FLKM 50-PA-SLC500/OUT/2A - Front adapter

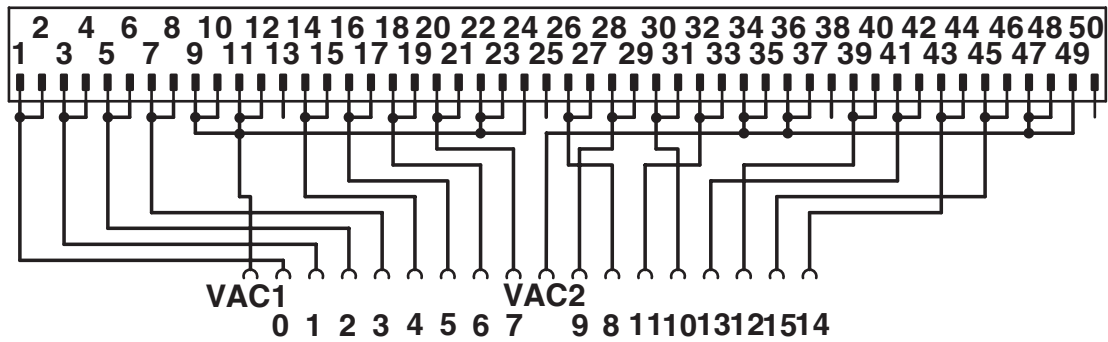


2293446

<https://www.phoenixcontact.com/us/products/2293446>

Drawings

Circuit diagram



Connection scheme FLKM 50-PA-SLC500/OUT/2A

FLKM 50-PA-SLC500/OUT/2A - Front adapter



2293446

<https://www.phoenixcontact.com/us/products/2293446>

Classifications

ECLASS

ECLASS-13.0

27242292

Phoenix Contact 2026 © - all rights reserved

<https://www.phoenixcontact.com>

Phoenix Contact USA

586 Fulling Mill Road

Middletown, PA 17057, United States

(+717) 944-1300

info@phoenixcon.com