

# FLKM 50-PA-TI/505/DO/P - Front adapter



2290766

<https://www.phoenixcontact.com/us/products/2290766>

Please be informed that the data shown in this PDF document is generated from our online catalog. Please find the complete data in the user documentation. Our general terms of use for downloads are valid.



VARIOFACE front adapter, for Siemens SIMATIC® TI 505, 1 x 32 channels can be connected, with separate voltage supply

## Commercial data

Item number	2290766
Packing unit	1 pc
Note	Made to order (non-returnable)
Sales key	NULL
Product key	DK231S
GTIN	4017918058180
Weight per piece (including packing)	97.07 g
Weight per piece (excluding packing)	78.71 g
Customs tariff number	85369010
Country of origin	US

# FLKM 50-PA-TI/505/DO/P - Front adapter



2290766

<https://www.phoenixcontact.com/us/products/2290766>

## Technical data

### Product properties

Product type	Front adapter
--------------	---------------

### Insulation characteristics

Overvoltage category	II
Pollution degree	1

### Electrical properties

Max. permissible operating voltage	< 50 V AC
	60 V DC
Max. permissible current	1 A (per path)
	4 A (per connection, supply via separate power supply)

### Connection data

#### Field level

Connection method	IDC/FLK pin strip
Number of connections	1
Number of positions	50
Pitch	2.54 mm

#### Supply

Connection method	Screw connection
Conductor cross-section rigid	0.14 mm <sup>2</sup> ... 1.5 mm <sup>2</sup>
Conductor cross-section flexible	0.14 mm <sup>2</sup> ... 1.5 mm <sup>2</sup>
Conductor cross-section AWG	26 ... 16

### Environmental and real-life conditions

#### Ambient conditions

Ambient temperature (operation)	-20 °C ... 50 °C
---------------------------------	------------------

### Standards and regulations

Standards/regulations	IEC 60664
	IEC 60664A
	DIN VDE 0110
	DIN VDE 0160 (in parts)

### Mounting

Mounting position	any
-------------------	-----

### Notes

Notes on operation	For proper use, the specifications of the installation directive (see Downloads) must be observed. For applications or use with third-
--------------------	--

# FLKM 50-PA-TI/505/DO/P - Front adapter



2290766

<https://www.phoenixcontact.com/us/products/2290766>

party products, the specifications, and the safety and warning instructions of the respective third-party manufacturer must also be met.

# FLKM 50-PA-TI/505/DO/P - Front adapter

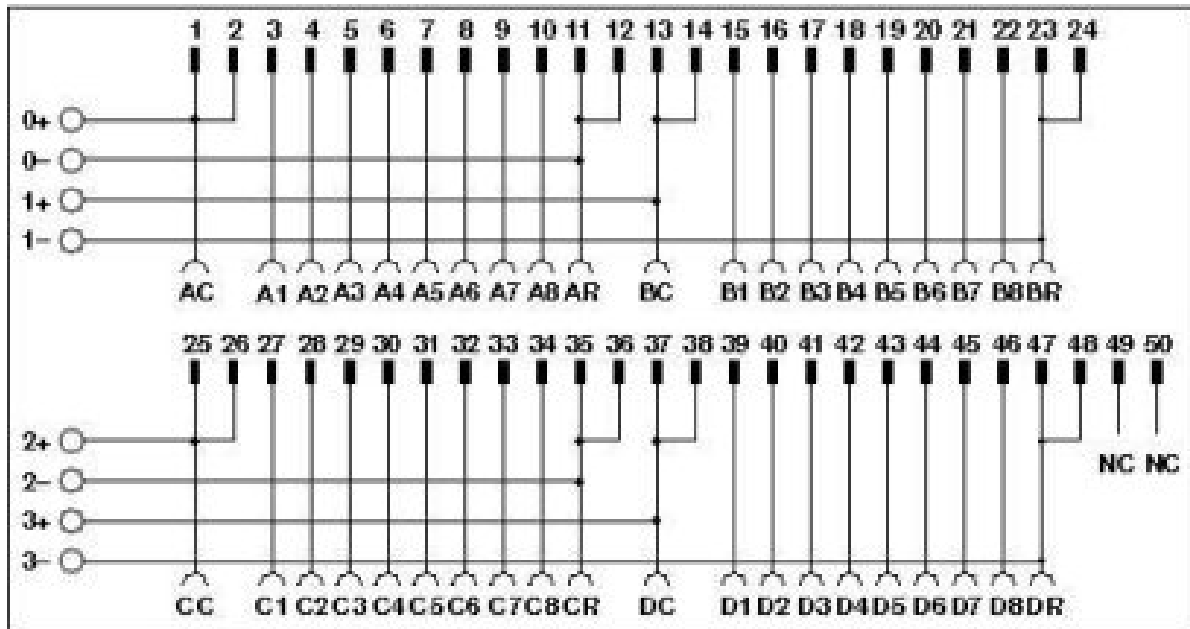


2290766

<https://www.phoenixcontact.com/us/products/2290766>

## Drawings

### Circuit diagram



# FLKM 50-PA-TI/505/DO/P - Front adapter

2290766

<https://www.phoenixcontact.com/us/products/2290766>



## Classifications

### ECLASS

ECLASS-13.0	27242292
-------------	----------

# FLKM 50-PA-TI/505/DO/P - Front adapter



2290766

<https://www.phoenixcontact.com/us/products/2290766>

## Environmental product compliance

EU REACH SVHC

REACH candidate substance (CAS No.)	
-------------------------------------	--

	No substance above 0.1 wt%
--	----------------------------

Phoenix Contact 2026 © - all rights reserved

<https://www.phoenixcontact.com>

Phoenix Contact USA  
586 Fulling Mill Road  
Middletown, PA 17057, United States  
(+717) 944-1300  
[info@phoenixcon.com](mailto:info@phoenixcon.com)