

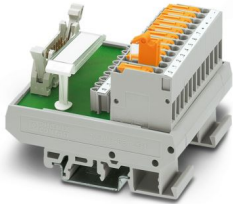
FLKM 14/KDS3-MT/PPA/PLC - Passive module



2290423

<https://www.phoenixcontact.com/us/products/2290423>

Please be informed that the data shown in this PDF document is generated from our online catalog. Please find the complete data in the user documentation. Our general terms of use for downloads are valid.



VARIOFACE interface module, for 8 channels with knife disconnect terminal blocks and test sockets to the peripherals and the system

Your advantages

- Byte-by-byte labeling
- Can be used for digital I/O modules

Commercial data

| | |
|--------------------------------------|---------------|
| Item number | 2290423 |
| Packing unit | 1 pc |
| Minimum order quantity | 1 pc |
| Sales key | C421 |
| Product key | DK2181 |
| GTIN | 4017918058036 |
| Weight per piece (including packing) | 161 g |
| Weight per piece (excluding packing) | 126.47 g |
| Customs tariff number | 85369010 |
| Country of origin | DE |

2290423

<https://www.phoenixcontact.com/us/products/2290423>

Technical data

Product properties

| | |
|---------------------|------------------|
| Product type | Interface module |
| Product family | VARIOFACE |
| Number of positions | 14 |
| No. of channels | 8 |

Insulation characteristics: Air clearances and creepage distances

| | |
|----------------------|-----------------------|
| Insulation | Functional insulation |
| Overvoltage category | II |
| Pollution degree | 2 |

Electrical properties

| | |
|--------------------------|-----------|
| Operating voltage (DC) | ≤ 60 V DC |
| Current (per branch) | ≤ 1 A |
| Current (Voltage supply) | ≤ 3 A |

Air clearances and creepage distances

| | |
|--------------------------|--------------------|
| Rated insulation voltage | 63 V |
| Rated surge voltage | 0.6 kV (1.2/50 μs) |

Supported controller: SIEMENS S7-1500

| | |
|-------------------|---|
| Suitable I/O card | 6ES7521-1BH00-0AB0 |
| | 6ES7521-1BH50-0AA0 |
| | 6ES7521-1BL00-0AB0 |
| | 6ES7521-1BP00-0AA0 (Sinking mode) |
| | 6ES7522-1BH00-0AB0 |
| | 6ES7522-1BH01-0AB0 |
| | 6ES7522-1BL00-0AB0 |
| | 6ES7522-1BL01-0AB0 |
| | 6ES7522-1BP00-0AA0 |
| | 6ES7522-1BP50-0AA0 |
| | 6ES7523-1BP50-0AA0 (DI32 (Sinking mode)/DQ32) |

Supported controller: ABB S800 I/O

| | |
|-------------------|-------|
| Suitable I/O card | DI810 |
| | DI811 |
| | DI814 |
| | DI818 |
| | DI830 |
| | DI831 |
| | DI840 |
| | DO810 |
| | DO814 |

FLKM 14/KDS3-MT/PPA/PLC - Passive module



2290423

<https://www.phoenixcontact.com/us/products/2290423>

| | |
|--|-------|
| | DO818 |
| | DO840 |

Supported controller: ALLEN-BRADLEY ControlLogix

| | |
|-------------------|------------|
| Suitable I/O card | 1756-IB32 |
| | 1756-OB32 |
| | 1756-IN16 |
| | 1756-IB16 |
| | 1756-IC16 |
| | 1756-OB16E |

Supported controller: SCHNEIDER ELECTRIC Modicon TSX QUANTUM

| | |
|-------------------|---------|
| Suitable I/O card | DDI 353 |
| | DDI 853 |
| | DAI 453 |
| | DDO 353 |

Supported controller: SIEMENS S7-400

| | |
|-------------------|--------------------|
| Suitable I/O card | 6ES7421-1BL01-0AA0 |
| | 6ES7422-1BL00-0AA0 |
| | 6ES7422-7BL00-0AB0 |

Supported controller: MITSUBISHI MELSEC Q

| | |
|-------------------|---------|
| Suitable I/O card | QX81 |
| | QY81P |
| | QX41 |
| | QX41-S1 |
| | QX42 |
| | QX42-S1 |
| | QX71 |
| | QX72 |
| | QY41P |
| | QY42P |
| | QY71 |
| | QH42P |
| | QX82 |
| | QX82-S1 |
| | QY82P |

Supported controller: MITSUBISHI MELSEC L

| | |
|-------------------|----------|
| Suitable I/O card | LX41C4 |
| | LX42C4 |
| | LY41NT1P |
| | LY42NT1P |
| | LY41PT1P |
| | LY42PT1P |

FLKM 14/KDS3-MT/PPA/PLC - Passive module



2290423

<https://www.phoenixcontact.com/us/products/2290423>

Supported controller: HONEYWELL Experion PKS C200

| | |
|-------------------|------------|
| Suitable I/O card | TC-IDD 321 |
| | TC-ODD 321 |

Supported controller: SIEMENS S7-300 / ET 200 M

| | |
|-------------------|--------------------|
| Suitable I/O card | CPU 313C-2DP |
| | CPU 314C-2DP |
| | CPU 314C-2PtP |
| | 6ES7321-1BH02-0AA0 |
| | 6ES7321-1BL00-0AA0 |
| | 6ES7322-1BH01-0AA0 |
| | 6ES7322-1BL00-0AA0 |
| | 6ES7323-1BH01-0AA0 |
| | 6ES7323-1BL00-0AA0 |
| | 6ES7321-1BH10-0AA0 |
| | 6ES7322-1BH10-0AA0 |
| | CPU 313C |
| | CPU 313C-2PtP |

Supported controller: GE-FANUC RX3i

| | |
|-------------------|-------------|
| Suitable I/O card | IC694MDL754 |
| | IC694MDL660 |

Connection data

Connection 1 (control level)

| | |
|----------------------------------|-------------------|
| Connection in acc. with standard | IEC 60603-13 |
| Connection method | IDC/FLK pin strip |
| Number of connections | 1 |
| Number of positions | 14 |
| Insertion/withdrawal cycles | > 50 |
| Pitch | 2.54 mm |

Connection 2 (field level)

| | |
|---|--|
| Connection method | Screw connection with disconnect knife |
| Stripping length | 8 mm |
| Screw thread | M3 |
| Number of positions | 12 |
| Conductor cross-section rigid | 0.2 mm ² ... 4 mm ² |
| Conductor cross-section rigid (2 conductors with same cross section) | 0.2 mm ² ... 1 mm ² |
| Conductor cross-section flexible | 0.2 mm ² ... 4 mm ² |
| | 0.25 mm ² ... 2.5 mm ² (Ferrule without plastic sleeve) |
| | 0.25 mm ² ... 1.5 mm ² (Ferrule with plastic sleeve) |
| Conductor cross-section flexible (2 conductors with same cross section) | 0.2 mm ² ... 1 mm ² |
| | 0.25 mm ² ... 0.75 mm ² (Ferrule without plastic sleeve) |

FLKM 14/KDS3-MT/PPA/PLC - Passive module



2290423

<https://www.phoenixcontact.com/us/products/2290423>

| | |
|-----------------------------|--|
| | 0.5 mm ² ... 1 mm ² (TWIN ferrule with plastic sleeve) |
| Conductor cross-section AWG | 24 ... 12 |
| Tightening torque | 0.5 Nm ... 0.6 Nm |
| Pitch | 5.08 mm |

Connection 3 (field level)

| | |
|---------------------|-------------|
| Connection method | Test socket |
| Number of positions | 10 |

Signaling

| | |
|------------------------|----|
| Status display present | no |
|------------------------|----|

Dimensions

Item dimensions

| | |
|--------|----------|
| Width | 67.35 mm |
| Height | 77.07 mm |
| Depth | 51.43 mm |

Material specifications

| | |
|-----------------------------|-----------------|
| Color | gray (RAL 7042) |
| Housing insulation material | PVC |

Environmental and real-life conditions

Ambient conditions

| | |
|--|------------------|
| Degree of protection (Module) | IP00 |
| Degree of protection (Installation location) | ≥ IP54 |
| Ambient temperature (operation) | -20 °C ... 50 °C |
| Ambient temperature (storage/transport) | -20 °C ... 70 °C |
| Altitude | ≤ 2000 m |

Approvals

UKCA

| | |
|-------------|----------------|
| Certificate | UKCA-compliant |
|-------------|----------------|

Standards and regulations

Air clearances and creepage distances

| | |
|-----------------------|----------------|
| Standards/regulations | EN IEC 60664-1 |
|-----------------------|----------------|

Mounting

| | |
|-------------------|-------------------|
| Mounting type | DIN rail mounting |
| Mounting position | any |

Notes

| | |
|--------------------|---|
| Notes on operation | For proper use, the specifications of the installation directive (see |
|--------------------|---|

FLKM 14/KDS3-MT/PPA/PLC - Passive module



2290423

<https://www.phoenixcontact.com/us/products/2290423>

Downloads) must be observed. For applications or use with third-party products, the specifications, and the safety and warning instructions of the respective third-party manufacturer must also be met.

FLKM 14/KDS3-MT/PPA/PLC - Passive module

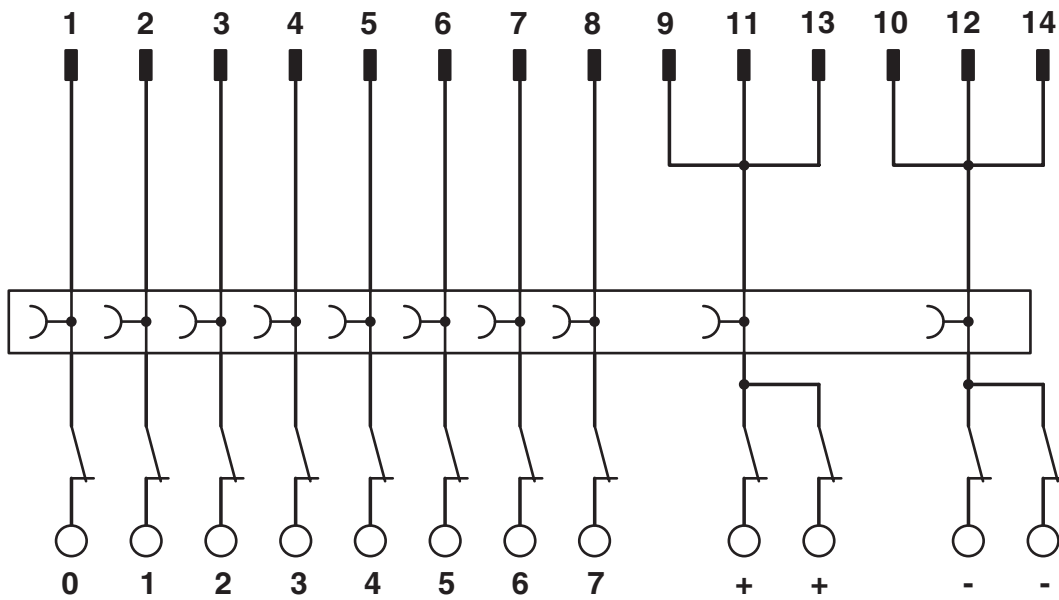


2290423

<https://www.phoenixcontact.com/us/products/2290423>

Drawings

Circuit diagram



FLKM 14/KDS3-MT/PPA/PLC connection scheme

FLKM 14/KDS3-MT/PPA/PLC - Passive module





2290423

<https://www.phoenixcontact.com/us/products/2290423>

Approvals

To download certificates, visit the product detail page: <https://www.phoenixcontact.com/us/products/2290423>

|  UL Listed Approval ID: E238705 | | | | |
|--|-----------------------|-----------------------|-------------------|-----------------------------|
| | Nominal voltage U_N | Nominal current I_N | Cross section AWG | Cross section mm^2 |
| keine | | | | |
| | 24 V | 1 A | - | - |

|  cUL Listed Approval ID: E238705 | | | | |
|---|-----------------------|-----------------------|-------------------|-----------------------------|
| | Nominal voltage U_N | Nominal current I_N | Cross section AWG | Cross section mm^2 |
| keine | | | | |
| | 24 V | 1 A | - | - |

FLKM 14/KDS3-MT/PPA/PLC - Passive module



2290423

<https://www.phoenixcontact.com/us/products/2290423>

Classifications

ECLASS

| | |
|-------------|----------|
| ECLASS-13.0 | 27141152 |
| ECLASS-15.0 | 27141152 |

ETIM

| | |
|-----------|----------|
| ETIM 10.0 | EC002780 |
|-----------|----------|

UNSPSC

| | |
|-------------|----------|
| UNSPSC 21.0 | 39121400 |
|-------------|----------|

FLKM 14/KDS3-MT/PPA/PLC - Passive module



2290423

<https://www.phoenixcontact.com/us/products/2290423>

Environmental product compliance

EU RoHS

| | |
|---|------|
| Fulfills EU RoHS substance requirements | Yes |
| Exemption | 6(c) |

China RoHS

| | |
|--|---|
| Environment friendly use period (EFUP) | EFUP-50 |
| | An article-related China RoHS declaration table can be found in the download area for the respective article under "Manufacturer declaration". For all articles with EFUP-E, no China RoHS declaration table issued and required. |

EU REACH SVHC

| | |
|-------------------------------------|--------------------------------------|
| REACH candidate substance (CAS No.) | Lead(CAS: 7439-92-1) |
| SCIP | 0844732d-7315-46aa-ab12-8b3d1468ec63 |

Phoenix Contact 2026 © - all rights reserved

<https://www.phoenixcontact.com>

Phoenix Contact USA
586 Fulling Mill Road
Middletown, PA 17057, United States
(+717) 944-1300
info@phoenixcon.com